

Design Template OCTANE



Rider Information

Name: _____

Phone: _____

Email: _____

Height: _____ **Weight:** _____

Current Chair: _____ **Current Cushion:** _____

Ability/Diagnosis: _____

RGK Contact Authorization:

RGK would like to send you exclusive information, news and promotional offers on RGK.

I would like to be contacted by RGK:

Signature: _____ **Date:** _____

*We do not pass your personal information onto any third party.

Account Information

Account Name : _____

Account #: _____ **PO#:** _____

Contact Name : _____

Phone: _____

Email: _____

Ship to: **Account** **Rider**

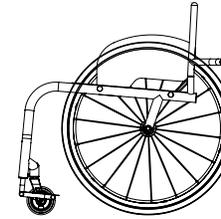
Name: _____

Address: _____

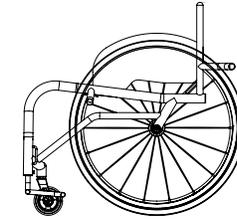
RGK Genius: _____

Frame Styles

703XZ010	Octane (Max User Weight 110kg/242lbs. HCPCS Coded K0005)
703XA070	Open design
703XA080	Dual-Tube design/Closed frame design
703XW009	Quote Only (No CAD for Approval)
703XW011	Order Only (No CAD for Approval)
703XW012	Quote CAD drawing for approval (1st CAD is NCO.)
703XW010	Order CAD drawing for approval (1st CAD is NCO.)
	CAD approved by: 703XW013 Customer 703XW014 RGK Genius



Open Design



Dual-Tube Design

\$5,976
STD
NCO
STD
STD
NCO
NCO

Measurements

Please Note: All RGK chairs are hand built and have a manufacturing tolerance of +/- 5mm (.25). All measurements can be done in 5mm (.25") increments.

Please select either Millimeters or Inches.

Measurements: Millimeters (mm.) Inches (in.)

703XY010 Rear Seat Width Measured from inside of side guard to inside of opposite side guard. Or outside seat tube to outside of opposite seat tube near backrest. (Min. 250mm/9.84" and Max. 500mm/19.69")

Current Chair: mm. in. New Chair: mm. in.

703XY020 Seat Depth/Seat Length Measured from front of back post to the front edge of seat sling. Frame bend will start .5" in front of seat sling unless Extra Frame Length requested. (Min. 250mm/9.84" and Max. 500mm/19.69")

Current Chair: mm. in. New Chair: mm. in.

703XY030 Extra Frame Length Measured from front edge of seat sling to beginning of Front frame bend. (Seat length + Extra seat length)

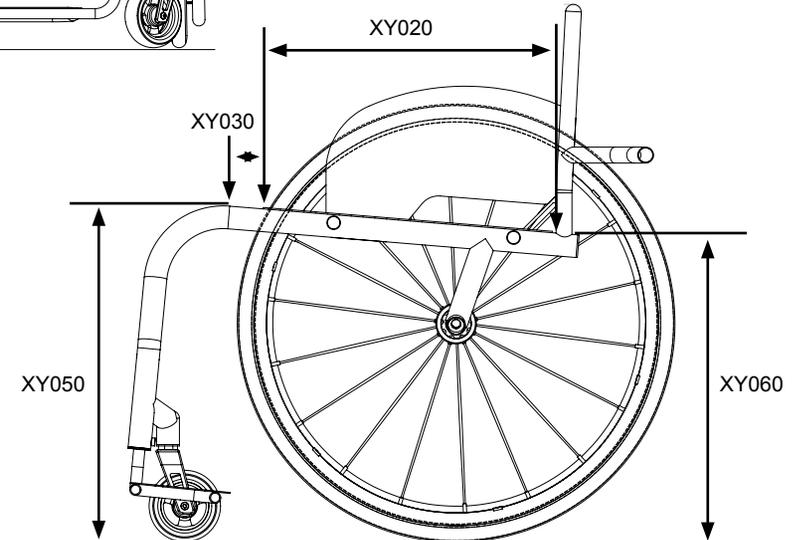
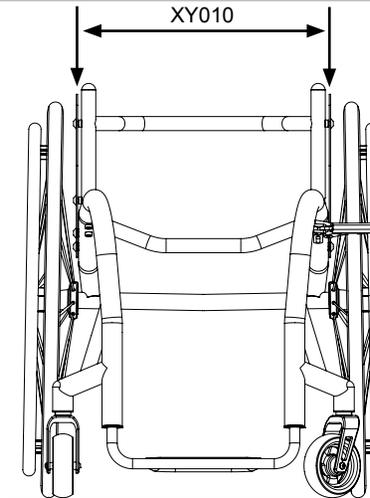
Current Chair: mm. in. New Chair: mm. in.

703XY050 Front Frame Height Measured from floor to apex of seat tube. (Min. 380mm/14.96" and Max. 550mm/21.65")

Current Chair: mm. in. New Chair: mm. in.

703XY060 Rear Frame Height Measured from floor to top of seat tube at back edge of seat sling. (Min. 360mm/14.17" and Max. 550mm/21.65")

Current Chair: mm. in. New Chair: mm. in.



Design Template

703XY070 Occupied Frame Length/Frame Length Measured from the front of the backrest tube to the front edge of the footrest. (Min. 390mm/15.35" and Max. 750mm/29.53")

Current Chair: New Chair:

703XY072 Caster Stem Position Measured from the front edge of the footrest to the centerline of the caster barrel. **703XY073 RGK to Optimize:**

Current Chair: New Chair:

703XA020 Ergonomic Seat Measured from front of back post to beginning of upward bend of seat tube. **\$88**

Current Chair: New Chair:

703XY080 Front Seat Taper/Seat Taper Design Measured from inside of front frame tube at the front frame bend to inside of opposite front frame tube at the front frame bend.

Current Chair: New Chair:

703XY091 Footrest Width/Parallel Taper Measured from inside of front frame tube at footrest adjustment to inside of opposite front frame tube at footrest adjustment. (Tip: when ordered together 703XY091 is usually 20mm (1") less than 703XY080).

Current Chair: New Chair:

703XY115 Front Footrest Height Measured from ground up to the top of the Front footrest tube or cover.

Current Chair: New Chair:

703XY120 Rear Footrest Height Measured from ground up to the top of the Rear footrest tube or cover. Standard is 20mm less than Front Footrest Height.

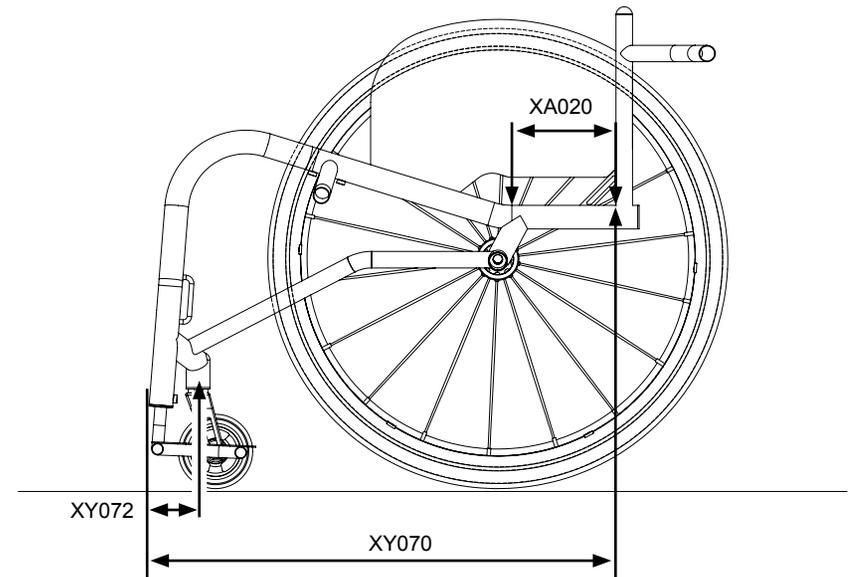
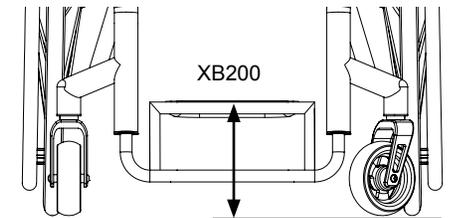
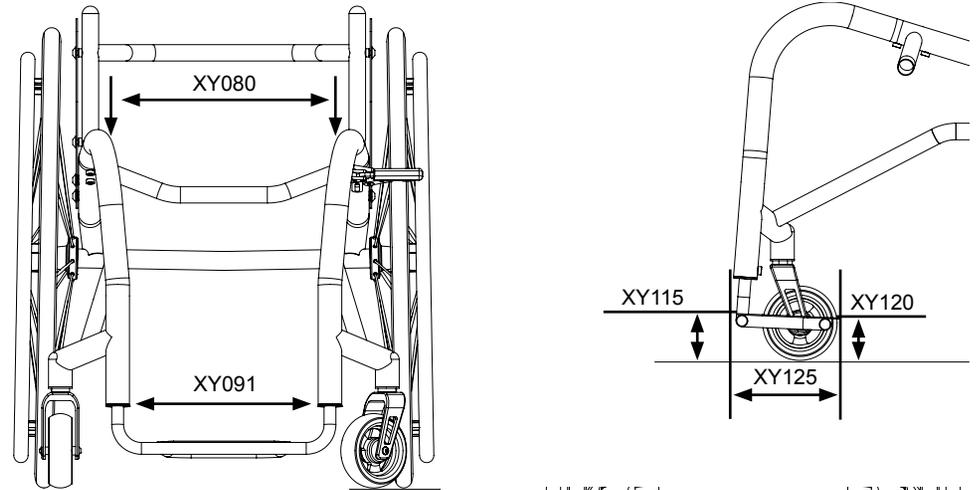
Current Chair: New Chair:

703XY125 Footrest Length Measured from front edge of footrest to back edge of footrest. (Max: 140mm for certified weight)

Current Chair: New Chair:

703XB200 High Mount Footrest/High Level Footrest Measured from ground up to the top of the Front footrest tube or cover. **\$154**

Current Chair: New Chair:



Design Template

703XY330 Stem Bolt/Caster Pin Width Measured from centerline of caster pin to the centerline of the opposite caster pin. 703XY331 RGK to Optimize:

Current Chair: New Chair:

703XY231 Backrest Height Measured from top of seat tube at rear of frame to top of back-post.

Current Chair: New Chair:

703XY360 Backrest Angle Measured as the angle from top front of the backrest tube to the floor. (Max. -10° to +10°) -5° -3° 0° 3° 5°

Current Chair: New Chair:

703XG110 Inward Taper Measured from inside backrest tube to inside of opposite backrest tube at the top of the backrest. \$88

Current Chair: New Chair:

703XG100 Ergonomic Backrest Measured from top of seat tube at rear of frame to the start of the rearward bend of back-post. \$88

Current Chair: New Chair:

703XG120 Outward Flare Measured from inside backrest tube to inside of opposite backrest tube at the top of the backrest. \$88

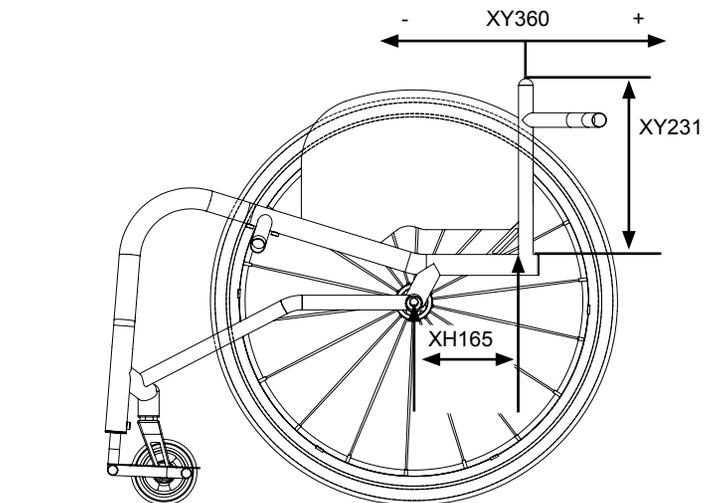
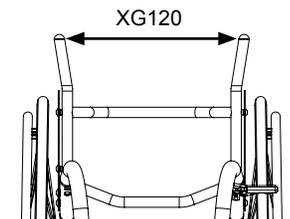
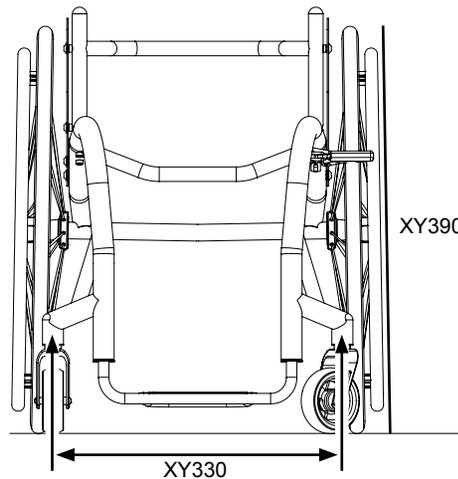
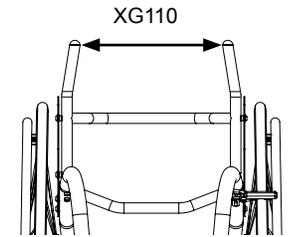
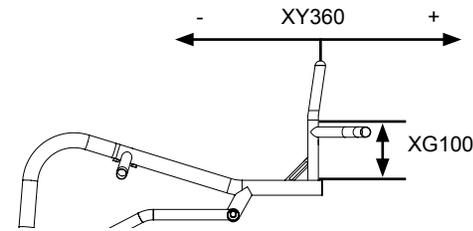
Current Chair: New Chair:

703XY390 Camber Angle Place a straight edge across the outside of rear wheel and use an angle finder to show the degree of camber.

Current Chair:	0°	New Chair:	703XY396	0°
	1°		703XY397	1°
	2°		703XY398	2°
	3°		703XY399	3°
	5°		703XY400	5°

703XH165 Center of Gravity Measured from front of back post at the seat tube to the centerline of the rear axle.

Current Chair: New Chair:



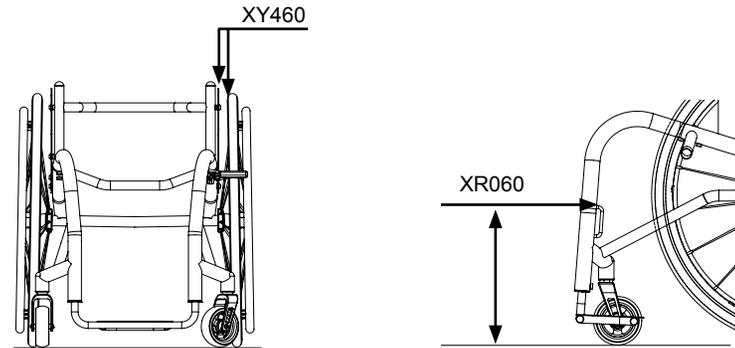
Design Template

703XY460 **Rear Wheel Gap** Measured from outer most point of chair (seat back post, side guard or armrest) to inside of rear tire.

Current Chair:	.6"(15)	New Chair:	703XY464	.6"(15)
	.78"(20)		703XY465	.78"(20)
	1"(25)		703XY466	1"(25)

703XR060 **Welded Calf Strap Mounting Loops** Measured from the ground to the top of where the calf strap is required. 703XR061 RGK to Optimize: \$111

Current Chair:	<input type="checkbox"/>	<input type="checkbox"/>	New Chair:	<input type="checkbox"/>	<input type="checkbox"/>
----------------	--------------------------	--------------------------	------------	--------------------------	--------------------------



Footrest Design

703XY100	Round Design	STD
703XY105	Square Design	NCO

Footrest Styles

703XB020	Tubular Titanium Footrest	STD
703XB070	Angle adjustable aluminum footrest	\$122
703XB080	Tubular footrest welded into frame (No height adjustment)	\$273
703XB030	Flip up plastic footrest (Dual-tube frame design only)	\$294
703XB150	Heavy duty tubular footrest	\$154

Footrest Cover

703XB050	Lightweight 3k Carbon Fiber Footrest cover	\$145
703XB155	Lightweight Spinerge CX6 Cast Carbon Fiber Footrest cover	\$145
703XB040	Plastic Cover (Not available with 703XB070 & 703XB030)	\$75
703XB170	Aluminum cover (Not available with 703XB070 & 703XB030)	\$75
703XB165	Rubber grip tape (3M Safety walk. Not available with 703XB030)	\$41

Front Wheels

703XC060	Aluminum Center 4"x1.3" (Black Hub only)	STD
703XC110	Aluminum Center 4"x1" (Silver hub only)	\$140
703XC135	Aluminum Center 4"x1.25"	\$140
703XC1131	Sliver hub & black tire	
703XC1132	Black hub & black tire	
703XC1133	Purple hub & black tire	
703XC1134	Green hub & black tire	
703XC1135	Red hub & black tire	
703XC1136	Blue hub & black tire	
703XC155	4" x 1.25" Spinerge CX6 Cast Carbon fiber front wheel	\$140
703XC156	Cerakoted Spinerge CX6 Cast Carbon fiber front wheel (Hub only. See Cerakot color options on page 8)	\$93
703XC070	Soft roll 5"x1.3"	NCO
703XC100	Pneumatic Aluminum Center 5"x1"	\$156
703XC120	Aluminum Center 5"x1"	\$140

Design Template

703XC140	Aluminum Center 5"x1.4" (Sliver hub & black tire)				\$140
703XC145	Aluminum Center 6"x1.4" (Sliver hub & black tire)				\$140
703XC150	Plastic Center 6"x1.4"soft roll (Black hub & grey tire)				\$140
Forks					
703XC190	Low Ride Fork				STD
703XC192	High Trail fork				NCO
703XC210	Froglegs suspension fork				\$508
	703XC211 Black fork				STD
Wheel Lock					
703XD020	Underseat Scissor				NCO
703XD030	Compact Scissor				\$109
703XD035	Compact Scissor with Direct Mount				\$129
703XD050	Push To Lock				NCO
703XD085	Eagle (Indicate color)				\$237
703XD086	Eagle with Direct Mount (Indicate color)				\$259
	703XD088 Black	703XD089 Purple	703XD090 Red	703XD091 Blue	
703XD010	Omit Wheel Lock				NCO
Side Guards					
703XE030	Screw on aluminum				\$193
703XE080	Lift out aluminum				\$445
703XE130	Fold flat aluminum				\$385
703XE050	Screw on 3k carbon fiber				\$433
703XE275	Screw on Spinergy CX6 Cast Carbon fiber				\$433
703XE100	Lift Out 3k Carbon fiber				\$604
703XE106	Lift Out Spinergy CX6 Cast Carbon fiber				\$604
703XE150	Fold flat 3k carbon fiber				\$626
703XE155	Fold flat Spinergy CX6 Cast Carbon fiber				\$626
703XE220	Welded titanium with 6mm bead				\$412
703XE070	Screw on ABS plastic				\$194
703XE120	Lift out ABS plastic				\$290
703XE170	Fold flat ABS plastic				\$494
	703XEM05 25mm above tire (Follow tire)				NCO
	703XEM06 Individual above tire (Follow tire - max. 25mm)				NCO
	703XEM02 Level with tire				STD
	703XEM07 Side guard length				STD
	703XEM08 Side guard height				STD
703XE040	Screw on aluminum with fender				\$231
703XE090	Lift out aluminum with fender				\$482
703XE140	Fold flat aluminum with fender				\$423
703XE060	Screw on 3k carbon fiber with fender				\$569
703XE110	Lift out 3k carbon fiber with fender				\$702
703XE160	Fold flat 3k carbon fiber with fender				\$757
	703XEM03 10mm above tire				NCO
	703XEM01 Individual above tire (Follow tire - max. 25mm)				NCO

	703XEM09	Center of tire	STD
	703XEM10	Outside of tire	NCO
Armrest			
	703XF010	Lift out armrest with plastic sideguard	Height (Top of seatrail to top of armrest) \$497
	703XF020	Lift out armrest with aluminum sideguard	Height (Top of seatrail to top of armrest) \$497
Backrest Height			
	703XY230	Fixed height	STD
	703XY245	Adjustable height (Range: +/- 25mm)	\$145
Backrest Design			
	703XG010	Fixed backrest (non-folding)	STD
	703XG020	Folding backrest with 2 position snap lock and angle adjustable (Range: +/- 5°)	\$405
Push Handles			
	703XG070	Screw in push handles (Not available with 703XY245)	\$170
	703XG080	Flip down push handles (Not available with 703XY245)	\$261
	703XG085	Flip down push handles height adjustable (Not available with 703XY245)	\$289
	703XG090	Stroller push handles height adjustable (Measure height from floor to the top of the push handle)	\$301
	703XG097	Integrated push handles	\$288
Backrest Options			
	703XG040	Heavy duty backrest upgrade (Not available with 703XY245)	\$156
	703XG130	Extra deep brace/rigidizer bar (Recommended for JAY backs)	\$88
Center of Gravity			
	703XH110	Square back adjustable of gravity (Range: 25mm - 150mm)	STD
	703XH120	Round back adjustable of gravity (Range: 60mm - 150mm)	NCO
	703XH100	Single post fixed center of gravity (Range: 25mm - 150mm)	\$364
	703XH090	V-Style fixed center of gravity (Range: 25mm - 150mm)	\$364
Axle Pin Options			
	703XK227	Standard axle pin	STD
	703XK220	Titanium 130mm quick release axle pin	\$124
	703XK240	Quad release axle pin	\$170
Anti-Tip			
	703XJ010	Swing-away anti tip LEFT side (Only available with square back adjustable center of gravity. Not available with 703XH140)	\$156
	703XJ020	Swing-away anti tip RIGHT side (Only available with square back adjustable center of gravity. Not available with 703XH140)	\$156
	703XJ100	Single sport anti-tip (Centered mounted)	\$482

Frame Finishes

Non painted finishes

703703XN030	Bead Blast frame (All parts black unless 703703XN600 chosen)	STD
703703XN050	Polished frame (All parts black unless 703703XN600 chosen)	\$688

Painted finishes

703XN500	CeraKote frame	\$180
703XN600	CeraKote components (Component color will match frame if not otherwise specified. Components include: Forks, Wheel Lock clamps, and Camber Tube clamps.)	\$180
703XN800	CeraKote Spinergy wheels (See Rear Wheel Type on page 8. Hubs and Rims are CeraKoted on Rear Wheels, Hubs on Front Wheels.)	\$332

Frame	Components	Spinergy	Colors	Frame	Components	Spinergy	Colors
703XN501	703XN601	703XN801	Midnight Black	703XN509	703XN609	703XN809	Rose Gold
703XN502	703XN602	703XN802	Java Bronze	703XN510	703XN610	703XN810	Retro Blue
703XN503	703XN603	703XN803	Pure Titanium	703XN511	703XN611	703XN811	Hot Pink
703XN504	703XN604	703XN804	Fire Red	703XN512	703XN612	703XN812	Wicked Green
703XN505	703XN605	703XN805	Prime Blue	703XN513	703XN613	703XN813	Bright White
703XN506	703XN606	703XN806	Sahara Gold	703XN514	703XN614	703XN814	Tangerine Orange
703XN507	703XN607	703XN807	Black Cherry	703XN515	703XN615	703XN815	Sunbeam Yellow
703XN508	703XN608	703XN808	Fresh Green	703XN516	703XN616	703XN816	Matte Navy

Accent Color

703XN251	Black	STD
703XN253	Red	NCO
703XN255	Purple	NCO
703XN252	Silver	NCO
703XN254	Blue	NCO
703XN250	Individual Accent Color	\$190

Seat Upholstery

703XP040	Seat Sling Adjustable Strap	STD
703XR050	Carbon Fiber Seat Plate	\$371

Back Upholstery

703XP035	Sub4 Airtech Adjustable Strap	STD
703XP050	Airtech Adjustable Strap	NCO
703XP070	Backrest upgrade to leather corners (Only with Airtech upholstery 703XP050)	\$133
703XP110	Backrest zip pocket (Only with Airtech upholstery 703XP050)	\$98
	Upholstery Stitching Color	
703XP550	Black	STD
703XP551	Silver	NCO
703XP552	Red	NCO
703XP553	Orange	NCO
703XP554	Blue	NCO
703XP555	Purple	NCO
	RGK Backrest Logo Color	
703XP557	White (Standard if nothing selected)	STD
703XP558	Red	STD
703XP559	Black	NCO

Design Template

703XP560	Blue	NCO
703XP561	Purple	NCO

Rear Wheel Size

703703XY420	24" (540) Rear wheel size	703703XY430	25" (559) Rear wheel size
-------------	---------------------------	-------------	---------------------------

Rear Wheel Type

703XK015	Proton (Not available with Spinerger anodized color options.)	STD
703XK320	Spinerger XLX (12 spoke, cross radial spokes.)	\$869
703XK050	Spinerger LX (12 spoke)	\$826
703XK060	Spinerger Spox (18 spoke. Not available with Spinerger anodized color options or spoke colors, purple, orange, pink and green.)	\$622
703XK070	Spinerger BLXL (18 bladed spoke.)	\$869
703XK150	Spinerger CLX (18 bladed spokes, carbon fiber rim. Spinerger color option available on hub only. Not available with silver hub)	\$1,642
703XK155	RGK EXCLUSIVE Spinerger CX6 Cast Carbon fiber (Cast Carbon Fiber Hub, Matte Black Carbon Fiber Rim and Black Bladed Spokes with 2 White Bladed Spokes Around Valve Stem. Not available with Spinerger anodized color options.)	\$1,819
	Spinerger spoke colors	
703XK650	Black	STD
703XK651	Red	NCO
703XK652	Purple	NCO
703XK653	White	NCO
703XK654	Blue	NCO
703XK655	Orange	NCO
703XK656	Yellow	NCO
703XK657	Pink	NCO
703XK658	Green	NCO
703XK180	Individual spoke design	\$193
	Spinerger anodized colors (Rims and Hubs are anodized not spokes, on Spinerger BLXL (703XK075), Hubs only on SBTXK150)	
703XK190	Black	STD
703XK202	Purple	\$301
703XK203	Blue	\$301
703XK201	Red	\$301
703XK204	Gold	\$301
703XK205	Individual hub/rims	\$349

Supply Without Rear Wheels

703XK040	Omit Rear Wheels	- \$203
	703XK041 Wheel Type:	703XK042 Tire Type:

Handrims Style

703XY485	Tab Length Wide	STD
703XY480	Tab Length Narrow	NCO
	703XL090 Remove excess mounting tabs (Recommended for small wheel gaps)	\$111
703XL010	Aluminum Hard Anodized 6 Tab	STD
703XL160	Elipse Ergonomic 6 Tab	\$551
703XL020	QGrip 6 Tab	\$312
703XL040	Titanium 6 Tab	\$265
703XL035	Natural-Fit LT	\$592

Design Template

(New Options in Blue) **OCTANE**

703XL150	Carbolife Gekko	\$561
703XL170	Carbolife Curve L	\$603
703XL180	Carbolife Curve L Tetra	\$527
703XL190	Carbolife Quadro	\$527
703XL200	Spinergy TC	\$438
703XL210	Spinergy TC Max	\$514

Tires

703XM060	Schwalbe One (Lightest option)	\$105
703XM150	IRC EXERACER	\$49
703XM010	Kenda 703XM011 Grey 703XM012 Blue 703XM013 Red	STD
703XM020	Schwalbe Marathon Plus	\$75
703XM040	Shox Solid Tire	\$123
703XM050	Kenda K885 Mountain Bike Tire	\$91

Inner Tubes

703XY500	Schraeder Valve Inner Tube	STD
----------	-----------------------------------	-----

Cushions

703XP080	Cushion foam	\$91
	Density 703XP001 Soft 703XP002 Medium	
	Thickness 703XP003 50mm 703XP004 75mm 703XP005 100mm	

Cushion Covers

703XP085	Nylon Cushion Cover (Black)	STD
703XP090	Airlite Cushion Cover (Black)	\$70

Jay Products - Please Include Jay Order Form

703XP900	Jay Cushion	Refer to Jay Order Form
703XP910	Jay Backrest	Refer to Jay Order Form

Empulse Products - Please Include Empulse Order Form

703EP100	Empulse Add-On Power-Assist Devices (IN11- USEWITHRGK)	Ship with chair	or	Ship separate from chair (uninstalled)
	F35 - Pull Device			
	M90 - Wheel Add-On			
	R90 - Push-Assist			

Accessories

703XR080	Frontwheel Assembly	\$802
703XP120	Zip Black Frame Protectors Neoprene Fasten (Black)	\$79
703XP420	Velcro Black Frame Protectors Nylon Fasten (Black)	\$53
703XR010	Black Seat Pouch Velcro Attach (Black)	\$41
703XR200	Black Rucksack with RGK Logo (Black)	\$70
703XR090	Tool Kit	STD
703XS060	Calf Strap	STD
	Military Service Patches	\$116
	1112VU1 US Marine Patch 1112VU2 US Army Patch 1112VU3 US Navy Patch	
	1112VU4 US Air Force Patch 1112VU12 US Coast Guard Patch 1112VU5 Purple Heart Patch	

Ordering Information

Estimated MSRP*

(*Price does not include any one off requested options)

Quote

Order

Specification Notes

