

# Design Template OCTANE



## Rider Information

**Name:** \_\_\_\_\_

**Phone:** \_\_\_\_\_

**Email:** \_\_\_\_\_

**Height:** \_\_\_\_\_ **Weight:** \_\_\_\_\_

**Current Chair:** \_\_\_\_\_ **Current Cushion:** \_\_\_\_\_

**Ability/Diagnosis:** \_\_\_\_\_

### RGK Contact Authorization:

RGK would like to send you exclusive information, news and promotional offers on RGK.

I would like to be contacted by RGK:

**Signature:** \_\_\_\_\_ **Date:** \_\_\_\_\_

\*We do not pass your personal information onto any third party.

## Account Information

**Account Name :** \_\_\_\_\_

**Account #:** \_\_\_\_\_ **PO#:** \_\_\_\_\_

**Contact Name :** \_\_\_\_\_

**Phone:** \_\_\_\_\_

**Email:** \_\_\_\_\_

**Ship to:** **Account** **Rider**

**Name:** \_\_\_\_\_

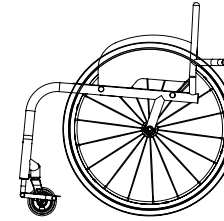
**Address:** \_\_\_\_\_

\_\_\_\_\_

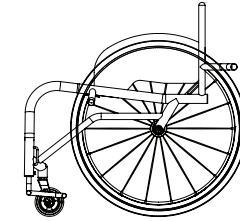
**RGK Genius:** \_\_\_\_\_

## Frame Styles

703XZ010	<b>Octane</b> (Max User Weight 110kg/242lbs. HCPCS Coded K0005)
703XA070	<b>Open design</b>
703XA080	<b>Dual-Tube design/Closed frame design</b>
703XW009	<b>Quote Only</b> (No CAD for Approval)
703XW011	<b>Order Only</b> (No CAD for Approval)
703XW012	<b>Quote CAD drawing for approval</b> (1st CAD is NCO.)
703XW010	<b>Order CAD drawing for approval</b> (1st CAD is NCO.)
	CAD approved by: <span style="color: blue;">703XW013 Customer</span> <span style="color: blue;">703XW014 RGK Genius</span>



Open Design



Dual-Tube Design

\$6,215
STD
NCO
STD
STD
NCO
NCO

## Measurements

**Please Note:** All RGK chairs are hand built and have a manufacturing tolerance of +/- 5mm (.25). All measurements can be done in 5mm (.25") increments.

**Please select either Millimeters or Inches.**

Measurements:  Millimeters (mm.)  Inches (in.)

**703XY010 Rear Seat Width** Measured from inside of side guard to inside of opposite side guard. Or outside seat tube to outside of opposite seat tube near backrest. (Min. 250mm/9.84" and Max. 500mm/19.69")

Current Chair:  mm.  in.      New Chair:  mm.  in.

**703XY020 Seat Depth/Seat Length** Measured from front of back post to the front edge of seat sling. Frame bend will start .5" in front of seat sling unless Extra Frame Length requested. (Min. 250mm/9.84" and Max. 500mm/19.69")

Current Chair:  mm.  in.      New Chair:  mm.  in.

**703XY030 Extra Frame Length** Measured from front edge of seat sling to beginning of Front frame bend. (Seat length + Extra seat length)

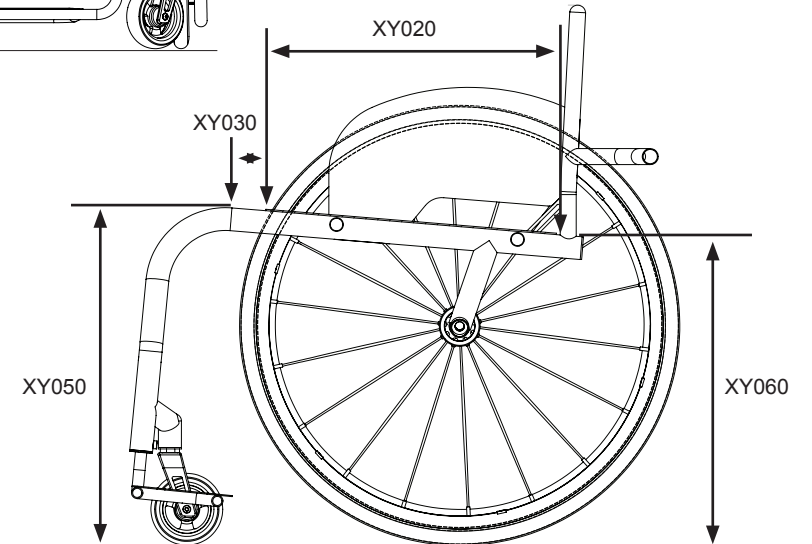
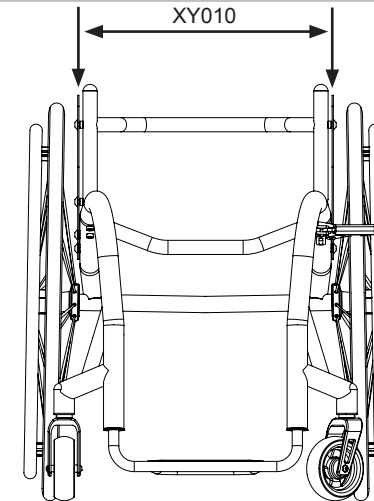
Current Chair:  mm.  in.      New Chair:  mm.  in.

**703XY050 Front Frame Height** Measured from floor to apex of seat tube. (Min. 380mm/14.96" and Max. 550mm/21.65")

Current Chair:  mm.  in.      New Chair:  mm.  in.

**703XY060 Rear Frame Height** Measured from floor to top of seat tube at back edge of seat sling. (Min. 360mm/14.17" and Max. 550mm/21.65")

Current Chair:  mm.  in.      New Chair:  mm.  in.



# Design Template

**703XY070 Occupied Frame Length/Frame Length** Measured from the front of the backrest tube to the front edge of the footrest. (Min. 390mm/15.35" and Max. 750mm/29.53")

Current Chair:        New Chair:

**703XY072 Caster Stem Position** Measured from the front edge of the footrest to the centerline of the caster barrel. **703XY073 RGK to Optimize:**

Current Chair:        New Chair:

**703XA020 Ergonomic Seat** Measured from front of back post to beginning of upward bend of seat tube. **\$91**

Current Chair:        New Chair:

**703XY080 Front Seat Taper/Seat Taper Design** Measured from inside of front frame tube at the front frame bend to inside of opposite front frame tube at the front frame bend.

Current Chair:        New Chair:

**703XY091 Footrest Width/Parallel Taper** Measured from inside of front frame tube at footrest adjustment to inside of opposite front frame tube at footrest adjustment. (Tip: when ordered together 703XY091 is usually 20mm (1") less than 703XY080).

Current Chair:        New Chair:

**703XY115 Front Footrest Height** Measured from ground up to the top of the Front footrest tube or cover.

Current Chair:        New Chair:

**703XY120 Rear Footrest Height** Measured from ground up to the top of the Rear footrest tube or cover. Standard is 20mm less than Front Footrest Height.

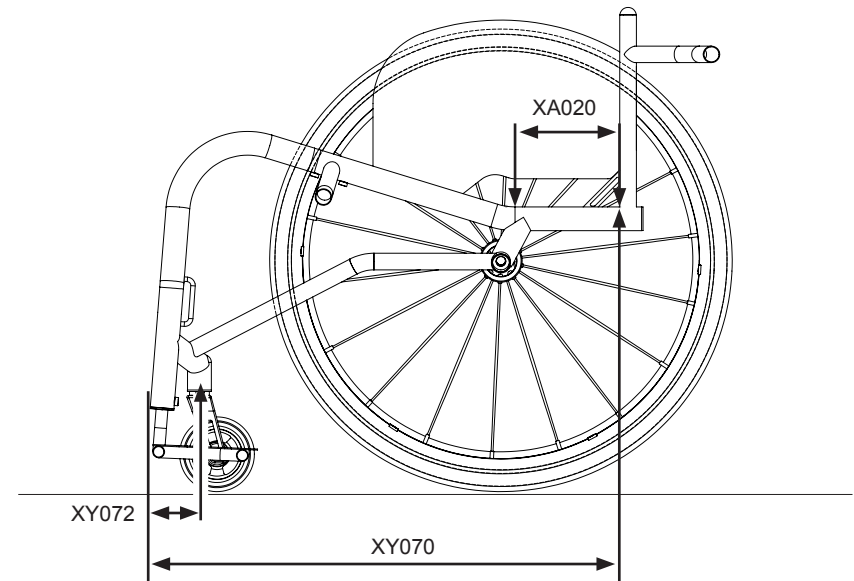
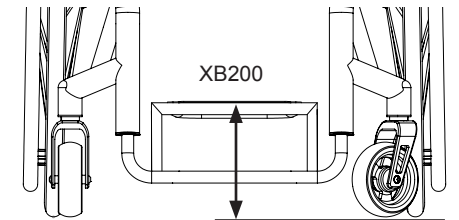
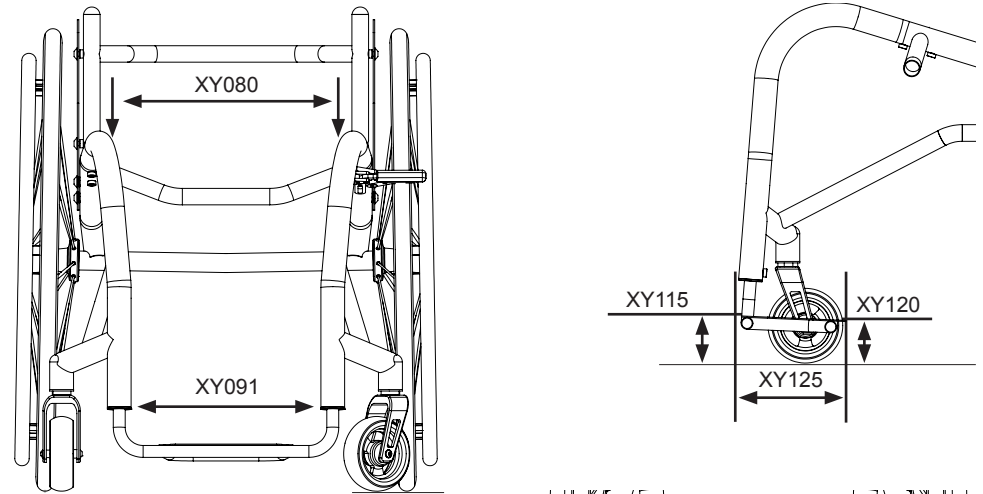
Current Chair:        New Chair:

**703XY125 Footrest Length** Measured from front edge of footrest to back edge of footrest. (Max: 140mm for certified weight)

Current Chair:        New Chair:

**703XB200 High Mount Footrest/High Level Footrest** Measured from ground up to the top of the Front footrest tube or cover. **\$160**

Current Chair:        New Chair:



# Design Template

**703XY330 Stem Bolt/Caster Pin Width** Measured from centerline of caster pin to the centerline of the opposite caster pin. 703XY331 RGK to Optimize:

Current Chair:   New Chair:

**703XY231 Backrest Height** Measured from top of seat tube at rear of frame to top of back-post.

Current Chair:   New Chair:

**703XY360 Backrest Angle** Measured as the angle from top front of the backrest tube to the floor. (Max.  $-10^{\circ}$  to  $+10^{\circ}$ )  $-5^{\circ}$   $-3^{\circ}$   $0^{\circ}$   $3^{\circ}$   $5^{\circ}$

Current Chair:  New Chair:

**703XG110 Inward Taper** Measured from inside backrest tube to inside of opposite backrest tube at the top of the backrest. \$91

Current Chair:   New Chair:

**703XG100 Ergonomic Backrest** Measured from top of seat tube at rear of frame to the start of the rearward bend of back-post. \$91

Current Chair:   New Chair:

**703XG120 Outward Flare** Measured from inside backrest tube to inside of opposite backrest tube at the top of the backrest. \$91

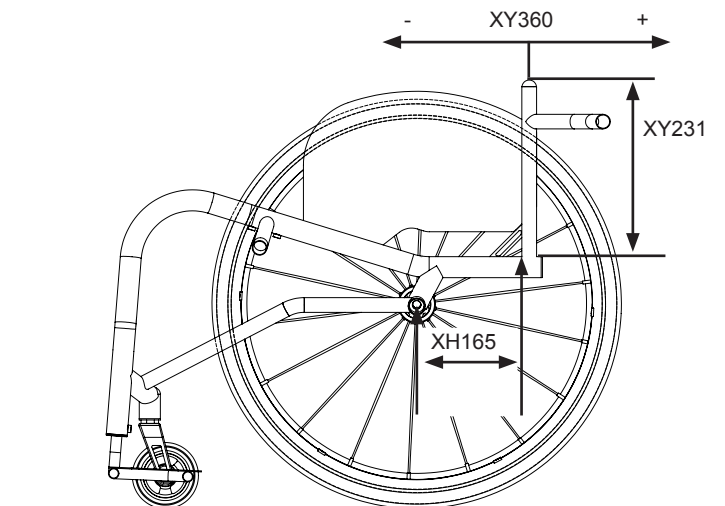
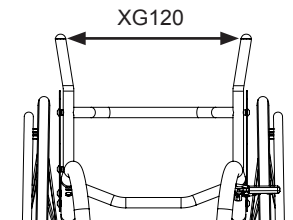
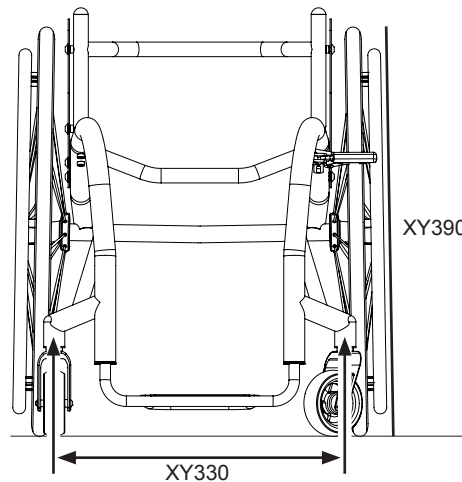
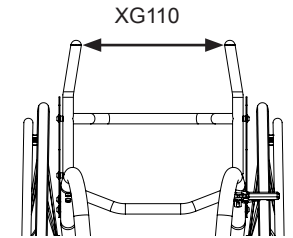
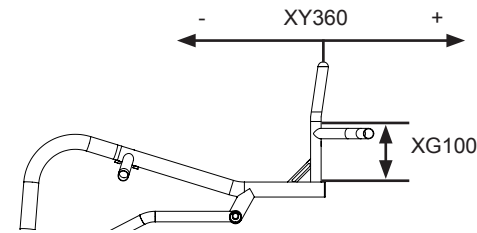
Current Chair:   New Chair:

**703XY390 Camber Angle** Place a straight edge across the outside of rear wheel and use an angle finder to show the degree of camber.

Current Chair:	0°	New Chair:	703XY396	0°
	1°		703XY397	1°
	2°		703XY398	2°
	3°		703XY399	3°
	5°		703XY400	5°

**703XH165 Center of Gravity** Measured from front of back post at the seat tube to the centerline of the rear axle.

Current Chair:   New Chair:





## Forks

703XC190	<b>Low Ride Fork</b>	STD
703XC192	<b>High Trail fork</b>	NCO
703XC300	<b>Omobic Single Sided fork</b>	\$180
703XC210	<b>Froglegs suspension fork</b>	\$528
	703XC211 Black fork	STD

## Wheel Lock

703XD020	<b>Underseat Scissor</b>	NCO
703XD030	<b>Compact Scissor</b>	\$113
703XD035	<b>Compact Scissor with Direct Mount</b>	\$134
703XD050	<b>Push To Lock</b>	NCO
703XD085	<b>Eagle</b> (Indicate color)	\$246
703XD086	<b>Eagle with Direct Mount</b> (Indicate color)	\$269
	703XD088 Black      703XD089 Purple      703XD090 Red      703XD091 Blue	
703XD094	<b>Omobic all aluminum</b>	\$108
703XD095	<b>Omobic all aluminum with Direct Mount</b>	\$129
703XD100	<b>Push Lox Dynamic Hub Locking system</b>	\$1,100
703XD010	<b>Omit Wheel Lock</b>	NCO

## Side Guards

703XE030	<b>Screw on aluminum</b>	\$201
703XE080	<b>Lift out aluminum</b>	\$463
703XE130	<b>Fold flat aluminum</b>	\$400
703XE050	<b>Screw on 3k carbon fiber</b>	\$450
703XE275	<b>Screw on Spinergy CX6 Cast Carbon fiber</b>	\$450
703XE100	<b>Lift Out 3k Carbon fiber</b>	\$628
703XE106	<b>Lift Out Spinergy CX6 Cast Carbon fiber</b>	\$628
703XE150	<b>Fold flat 3k carbon fiber</b>	\$651
703XE155	<b>Fold flat Spinergy CX6 Cast Carbon fiber</b>	\$651
703XE220	<b>Welded titanium with 6mm bead</b>	\$428
703XE070	<b>Screw on ABS plastic</b>	\$202
	703XEM05    25mm above tire (Follow tire)	NCO
	703XEM06    Individual above tire (Follow tire - max. 25mm)	NCO
	703XEM02    Level with tire	STD
	703XEM07    Side guard length	STD
	703XEM08    Side guard height	STD
703XE040	<b>Screw on aluminum with fender</b>	\$240
703XE090	<b>Lift out aluminum with fender</b>	\$501
703XE140	<b>Fold flat aluminum with fender</b>	\$440
703XE060	<b>Screw on 3k carbon fiber with fender</b>	\$592
703XE110	<b>Lift out 3k carbon fiber with fender</b>	\$730
703XE160	<b>Fold flat 3k carbon fiber with fender</b>	\$787
	703XEM03    10mm above tire	NCO
	703XEM01    Individual above tire (Follow tire - max. 25mm)	NCO
	703XEM10    Outside of tire	NCO
703XE190	<b>Omit side guards</b>	NCO

## Armrest

703XF010	<b>Lift out armrest with plastic sideguard</b>	<b>Height</b> (Top of seatrail to top of armrest)	\$518
703XF020	<b>Lift out armrest with aluminum sideguard</b>	<b>Height</b> (Top of seatrail to top of armrest)	\$518
703XF130	<b>Swing way tubular armrest with welded in receiver</b> (Requires 703XH110 Square back adjustable center gravity)	Tubular armrest length	\$518
703XF140	<b>Omit armrest</b>		NCO

## Backrest Height

703XY230	<b>Fixed height</b>		STD
703XY245	<b>Adjustable height</b> (Range: +/- 25mm)		\$151

## Backrest Design

703XG010	<b>Fixed backrest</b> (non-folding)		STD
703XG020	<b>Folding backrest with 2 position snap lock and angle adjustable</b> (Range: +/- 5°)		\$421

## Push Handles

703XG070	<b>Screw in push handles</b> (Not available with 703XY245)		\$177
703XG080	<b>Flip down push handles</b> (Not available with 703XY245)		\$271
703XG085	<b>Flip down push handles height adjustable</b> (Not available with 703XY245)		\$300
703XG090	<b>Stroller push handles height adjustable</b> (Measure height from floor to the top of the push handle)		\$313
	703XG098 RGK to Optimize:		
703XG097	<b>Integrated push handles</b>		\$299
703XG030	<b>Omit push handles</b>		NCO

## Backrest Options

703XG040	<b>Heavy duty backrest upgrade</b> (Not available with 703XY245)		\$162
703XG130	<b>Extra deep brace/rigidizer bar</b> (Recommended for JAY backs)		\$91

## Center of Gravity

703XH110	<b>Square back adjustable of gravity</b> (Range: 25mm - 150mm)		STD
703XH120	<b>Round back adjustable of gravity</b> (Range: 60mm - 150mm)		NCO
703XH100	<b>Single post fixed center of gravity</b> (Range: 25mm - 150mm)		\$378
703XH090	<b>V-Style fixed center of gravity</b> (Range: 25mm - 150mm)		\$378

## Axle Pin Options

703XK227	<b>Standard axle pin</b>		STD
703XK220	<b>Titanium 130mm quick release axle pin</b>		\$129
703XK240	<b>Quad release axle pin</b>		\$177

## Anti-Tip

703XJ010	<b>Swing-away anti tip LEFT side</b> (Only available with square back adjustable center of gravity. Not available with 703XH140)		\$162
703XJ020	<b>Swing-away anti tip RIGHT side</b> (Only available with square back adjustable center of gravity. Not available with 703XH140)		\$162
703XJ100	<b>Single sport anti-tip</b> (Centered mounted)		\$501

Frame Finishes

**Non painted finishes**

703XN030	Bead Blast frame (All parts black unless 703XN600 chosen)	STD
703XN050	Polished frame (All parts black unless 703XN600 chosen)	\$751

**Painted finishes**

703XN500	<b>CeraKote frame</b>	\$250
703XN600	<b>CeraKote components</b> (Component color will match frame if not otherwise specified. Components include: Forks, Wheel Lock clamps, and Camber Tube clamps.)	\$250
703XN800	<b>CeraKote Spinergy wheels</b> (See Rear Wheel Type on page 9. Hubs and Rims are CeraKoted on Rear Wheels, Hubs on Front Wheels.)	\$345

Frame	Components	Spinergy	Colors	Frame	Components	Spinergy	Colors
703XN501	703XN601	703XN801	<b>Midnight Black</b>	703XN509	703XN609	703XN809	<b>Rose Gold</b>
703XN502	703XN602	703XN802	<b>Java Bronze</b>	703XN510	703XN610	703XN810	<b>Retro Blue</b>
703XN503	703XN603	703XN803	<b>Pure Titanium</b>	703XN511	703XN611	703XN811	<b>Hot Pink</b>
703XN504	703XN604	703XN804	<b>Fire Red</b>	703XN512	703XN612	703XN812	<b>Wicked Green</b>
703XN505	703XN605	703XN805	<b>Prime Blue</b>	703XN513	703XN613	703XN813	<b>Bright White</b>
703XN506	703XN606	703XN806	<b>Sahara Gold</b>	703XN514	703XN614	703XN814	<b>Tangerine Orange</b>
703XN507	703XN607	703XN807	<b>Black Cherry</b>	703XN515	703XN615	703XN815	<b>Sunbeam Yellow</b>
703XN508	703XN608	703XN808	<b>Fresh Green</b>	703XN516	703XN616	703XN816	<b>Matte Navy</b>

Accent Color

703XN251	<b>Black</b>	STD
703XN253	<b>Red</b>	NCO
703XN255	<b>Purple</b>	NCO
703XN252	<b>Silver</b>	NCO
703XN254	<b>Blue</b>	NCO

Seat Upholstery

703XP040	<b>Seat Sling Adjustable Strap</b>	STD
703XR050	<b>Carbon Fiber Seat Plate</b>	\$386

Back Upholstery

703XP035	<b>Sub4 Airtech Adjustable Strap</b>	STD
703XP050	<b>Airtech Adjustable Strap</b>	NCO
703XP070	Backrest upgrade to leather corners (Only with Airtech upholstery 703XP050)	\$137
703XP110	Backrest zip pocket (Only with Airtech upholstery 703XP050)	\$102
	<b>Upholstery Stitching Color</b>	
703XP550	Black	STD
703XP551	Silver	NCO
703XP552	Red	NCO
703XP553	Orange	NCO
703XP554	Blue	NCO
703XP555	Purple	NCO
	<b>RGK Backrest Logo Color</b>	
703XP557	White (Standard if nothing selected)	STD
703XP558	Red	STD
703XP559	Black	NCO
703XP560	Blue	NCO

# Design Template

703XP561	Purple	NCO
703XP570	<b>Omit back upholstery</b>	NCO

## Rear Wheel Size

703XY420	24" (540) Rear wheel size	703XY430	25" (559) Rear wheel size
----------	---------------------------	----------	---------------------------

## Rear Wheel Type

703XK160	<b>Spinergy ES Wire</b> (20 spokes. CeraKote option available on Rim only. Not available with Spinergy anodized color options.)	STD
703XK320	<b>Spinergy XLX</b> (12 spokes, cross radial spokes.)	\$904
703XK050	<b>Spinergy LX</b> (12 spokes)	\$859
703XK060	<b>Spinergy Spox</b> (18 spoke. Not available with Spinergy anodized color options or spoke colors, purple, orange, pink and green.)	\$647
703XK070	<b>Spinergy BLXL</b> (18 bladed spokes.)	\$948
703XK150	<b>Spinergy CLX</b> (18 bladed spokes, carbon fiber rim. Spinergy color option available on hub only. Not available with silver hub)	\$1,707
703XK155	<b>RGK EXCLUSIVE Spinergy CX6 Cast Carbon fiber</b> (Cast Carbon Fiber Hub, Matte Black Carbon Fiber Rim and Black Bladed Spokes with 2 White Bladed Spokes Around Valve Stem. Not available with Spinergy anodized color options.)	\$1,915
	<b>Spinergy spoke colors</b>	
703XK650	Black	STD
703XK651	Red	NCO
703XK652	Purple	NCO
703XK653	White	NCO
703XK654	Blue	NCO
703XK655	Orange	NCO
703XK656	Yellow	NCO
703XK657	Pink	NCO
703XK658	Green	NCO
703XK180	Individual spoke design	\$201
	<b>Spinergy anodized colors</b> (Rims and Hubs are anodized not spokes, on Spinergy BLXL (703XK075), Hubs only on SBTXK150)	
703XK190	Black	STD
703XK202	Purple	\$313
703XK203	Blue	\$313
703XK201	Red	\$313
703XK204	Gold	\$313

## Supply Without Rear Wheels

703XK040	<b>Omit Rear Wheels</b>	- \$211
	703XK041 Wheel Type:	703XK042 Tire Type:

## Handrims Style

703XY485	<b>Tab Length Wide</b>	STD
703XY480	<b>Tab Length Narrow</b>	NCO
	703XL090 <b>Remove excess mounting tabs</b> (Recommended for small wheel gaps)	\$115
703XL010	<b>Aluminum Hard Anodized 6 Tab</b>	STD
703XL020	<b>QGrip 6 Tab</b>	\$324
703XL040	<b>Titanium 6 Tab</b>	\$276
703XL035	<b>Natural-Fit LT</b>	703XL036 Standard thumb ring      703XL037 Super Grip thumb ring      703XL038 Omit thumb ring
703XL150	<b>Carbolife Gekko</b>	\$493
703XL220	<b>Carbolife Gekko S</b>	\$474

# Design Template

(New Options in Blue) **OCTANE**

703XL170	<b>Carbolife Curve L</b>	\$428
703XL230	<b>Carbolife Curve</b>	\$412
703XL180	<b>Carbolife Curve L Tetra</b>	\$548
703XL240	<b>Carbolife Curve Tetra</b>	\$527
703XL190	<b>Carbolife Quadro</b>	\$548
703XL200	<b>Spinergy TC</b>	\$455
703XL210	<b>Spinergy TC Max</b>	\$534

## Tires

703XM060	<b>Schwalbe One</b> (Lightest option)	\$109
703XM150	<b>IRC EXERACER</b>	STD
703XM020	<b>Schwalbe Marathon Plus</b>	\$78
703XM040	<b>Shox Solid Tire</b> (Not available with Spinergy CLX or CX six rear wheels)	\$128
703XM070	<b>Schwalbe Rocket Ron mountain bike tire</b>	\$50

## Cushions

703XP080	<b>Cushion foam</b>		\$95
	Density	703XP001 Soft	703XP002 Medium
	Thickness	703XP003 50mm	703XP004 75mm
			703XP005 100mm

## Cushion Covers

703XP085	<b>Nylon Cushion Cover</b> (Black)	STD
703XP090	<b>Airlite Cushion Cover</b> (Black)	\$73

## Jay Products - Please Include Jay Order Form

703XP900	<b>Jay Cushion</b>	Refer to Jay Order Form
703XP910	<b>Jay Backrest</b>	Refer to Jay Order Form

## Empulse Products - Please Include Empulse Order Form

703EP100	<b>Empulse Add-On Power-Assist Devices</b> (IN11- USEWITHRGK)	Ship with chair	<b>or</b>	Ship separate from chair (uninstalled)
	F35 - Pull Device			
	M90 - Wheel Add-On			
	R90 - Push-Assist			

## Accessories

703XR080	<b>Frontwheel Assembly</b>		\$834
703XR240	<b>Reverse Velcro on seating</b>	703XR241 <b>Double sided tape</b>	703XR240 <b>Sewn in</b>
703XP120	<b>Zip Black Frame Protectors Neoprene Fasten</b> (Black)		\$82
703XP420	<b>Velcro Black Frame Protectors Nylon Fasten</b> (Black)		\$55
703XR010	<b>Black Seat Pouch Velcro Attach</b> (Black)		\$43
703XR200	<b>Black Backpack with RGK Logo</b> (Black)		\$73
703XR230	<b>Spinergy Wheel Bag</b>		\$150
703XR210	<b>Recon Mini Rider-Carry Air Compressor</b>		\$170
703XR090	<b>Tool Kit</b>		STD
703XS060	<b>Calf Strap</b>		STD
	<b>Military Service Patches</b>		\$121
	1112VU1 US Marine Patch	1112VU2 US Army Patch	1112VU3 US Navy Patch
	1112VU4 US Air Force Patch	1112VU12 US Coast Guard Patch	112VU5 Purple Heart Patch

Ordering Information

**Estimated MSRP\***

(\*Price does not include any one off requested options)

**Quote**

**Order**

Specification Notes

