

Mark For:

Date: _____
 Dealer Acct #: _____
 Dealer: _____
 Dealer Contact: _____
 Dealer Address: _____
 Dealer City: _____ ST: _____ ZIP: _____
 Dealer Phone: () _____ Fax: () _____
 Confirmation Email: _____
 Confirm Via: Fax Email

Submitting for:

Quote Order

PO#: _____

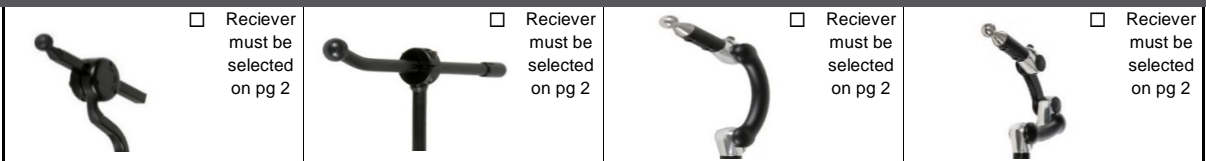
ADDITIONAL SHIPPING INFORMATION

Ship To: _____
 Attention: _____
 Address: _____
 Address: _____
 Ship To City: _____ ST: _____ ZIP: _____
 Ship To Phone: () _____ Fax: () _____

The **HCPCS CODES** herein are based on PDAC verification or interpretation of Medicare definitions and guidelines. Non-Medicare payers may accept alternative **HCPCS CODES**, including misc. codes to ensure access for their enrollees. The use of **HCPCS CODES** does not ensure coverage or payment.

Head Positioning - Use HCPCS Code E0955

Whitmyer headrests come unassembled. Please add item WHITASSY001 if the dealer would like parts assembled. This is a no charge option.
 Note: For cover selection, L = Lycra and V = Dartex Reversed (Example: AXYS-HUFALL or AXYS-HUFALV)



PAD		AXYS	ONYX	LINX	LINX ²
PLUSH *Utilizes neoprene foam for a thinner pad	19"	<input type="checkbox"/> AXYS-P4L \$329	<input type="checkbox"/> ONYX-P4L \$329	<input type="checkbox"/> LINX-P4L \$363	<input type="checkbox"/> LINX2-P4L \$405
	14"	<input type="checkbox"/> AXYS-P4V \$329	<input type="checkbox"/> ONYX-P4V \$329	<input type="checkbox"/> LINX-P4V \$363	<input type="checkbox"/> LINX2-P4V \$405
	10"	<input type="checkbox"/> AXYS-P2L \$248	<input type="checkbox"/> ONYX-P2L \$248	<input type="checkbox"/> LINX-P2L \$248	<input type="checkbox"/> LINX2-P2L \$289
	8"	<input type="checkbox"/> AXYS-P2V \$248	<input type="checkbox"/> ONYX-P2V \$248	<input type="checkbox"/> LINX-P2V \$248	<input type="checkbox"/> LINX2-P2V \$289
	6"	<input type="checkbox"/> AXYS-P1L \$236	<input type="checkbox"/> ONYX-P1L \$236	<input type="checkbox"/> LINX-P1L \$236	<input type="checkbox"/> LINX2-P1L \$277
	6"*	<input type="checkbox"/> AXYS-P1V \$236	<input type="checkbox"/> ONYX-P1V \$236	<input type="checkbox"/> LINX-P1V \$236	<input type="checkbox"/> LINX2-P1V \$277
	5"*	<input type="checkbox"/> AXYS-P3L \$236	<input type="checkbox"/> ONYX-P3L \$236	<input type="checkbox"/> LINX-P3L \$236	<input type="checkbox"/> LINX2-P3L \$277
		<input type="checkbox"/> AXYS-P3V \$236	<input type="checkbox"/> ONYX-P3V \$236	<input type="checkbox"/> LINX-P3V \$236	<input type="checkbox"/> LINX2-P3V \$277
ADJUST -A- PLUSH Large (Std) Medium Small (Narrow)		<input type="checkbox"/> AXYS-P8L \$236	<input type="checkbox"/> ONYX-P8L \$236	<input type="checkbox"/> LINX-P8L \$236	<input type="checkbox"/> LINX2-P8L \$277
		<input type="checkbox"/> AXYS-P8V \$236	<input type="checkbox"/> ONYX-P8V \$236	<input type="checkbox"/> LINX-P8V \$236	<input type="checkbox"/> LINX2-P8V \$277
		<input type="checkbox"/> AXYS-P6L \$179	<input type="checkbox"/> ONYX-P6L \$179	<input type="checkbox"/> LINX-P6L \$163	<input type="checkbox"/> LINX2-P6L \$203
		<input type="checkbox"/> AXYS-P6V \$179	<input type="checkbox"/> ONYX-P6V \$179	<input type="checkbox"/> LINX-P6V \$163	<input type="checkbox"/> LINX2-P6V \$203
DUAL MOUNT ADJUST -A- PLUSH 19" 14" Large Medium Small		<input type="checkbox"/> AXYS-P5L \$179	<input type="checkbox"/> ONYX-P5L \$179	<input type="checkbox"/> LINX-P5L \$163	<input type="checkbox"/> LINX2-P5L \$203
		<input type="checkbox"/> AXYS-P5V \$179	<input type="checkbox"/> ONYX-P5V \$179	<input type="checkbox"/> LINX-P5V \$163	<input type="checkbox"/> LINX2-P5V \$203
		<input type="checkbox"/> AXYS-AP2L \$363	<input type="checkbox"/> ONYX-AP2L \$363	<input type="checkbox"/> LINX-AP2L \$363	<input type="checkbox"/> LINX2-AP2L \$398
		<input type="checkbox"/> AXYS-AP2V \$363	<input type="checkbox"/> ONYX-AP2V \$363	<input type="checkbox"/> LINX-AP2V \$363	<input type="checkbox"/> LINX2-AP2V \$398
		<input type="checkbox"/> AXYS-AP3L \$363	<input type="checkbox"/> ONYX-AP3L \$363	<input type="checkbox"/> LINX-AP3L \$363	<input type="checkbox"/> LINX2-AP3L \$398
		<input type="checkbox"/> AXYS-AP3V \$363	<input type="checkbox"/> ONYX-AP3V \$363	<input type="checkbox"/> LINX-AP3V \$363	<input type="checkbox"/> LINX2-AP3V \$398
		<input type="checkbox"/> AXYS-AP1L \$363	<input type="checkbox"/> ONYX-AP1L \$363	<input type="checkbox"/> LINX-AP1L \$363	<input type="checkbox"/> LINX2-AP1L \$398
		<input type="checkbox"/> AXYS-AP1V \$363	<input type="checkbox"/> ONYX-AP1V \$363	<input type="checkbox"/> LINX-AP1V \$363	<input type="checkbox"/> LINX2-AP1V \$398
NARROW PLUSH		<input type="checkbox"/> AXYS-P44L \$589	<input type="checkbox"/> ONYX-P44L \$589	<input type="checkbox"/> LINX-P44L \$635	<input type="checkbox"/> LINX2-P44L \$677
		<input type="checkbox"/> AXYS-P44V \$589	<input type="checkbox"/> ONYX-P44V \$589	<input type="checkbox"/> LINX-P44V \$635	<input type="checkbox"/> LINX2-P44V \$677
		<input type="checkbox"/> AXYS-P22L \$578	<input type="checkbox"/> ONYX-P22L \$578	<input type="checkbox"/> LINX-P22L \$623	<input type="checkbox"/> LINX2-P22L \$665
		<input type="checkbox"/> AXYS-P22V \$578	<input type="checkbox"/> ONYX-P22V \$578	<input type="checkbox"/> LINX-P22V \$623	<input type="checkbox"/> LINX2-P22V \$665
		<input type="checkbox"/> AXYS-AP22L \$589	<input type="checkbox"/> ONYX-AP22L \$589	<input type="checkbox"/> LINX-AP22L \$635	<input type="checkbox"/> LINX2-AP22L \$670
		<input type="checkbox"/> AXYS-AP22V \$589	<input type="checkbox"/> ONYX-AP22V \$589	<input type="checkbox"/> LINX-AP22V \$635	<input type="checkbox"/> LINX2-AP22V \$670
		<input type="checkbox"/> AXYS-AP33L \$589	<input type="checkbox"/> ONYX-AP33L \$589	<input type="checkbox"/> LINX-AP33L \$635	<input type="checkbox"/> LINX2-AP33L \$670
		<input type="checkbox"/> AXYS-AP33V \$589	<input type="checkbox"/> ONYX-AP33V \$589	<input type="checkbox"/> LINX-AP33V \$635	<input type="checkbox"/> LINX2-AP33V \$670
		<input type="checkbox"/> AXYS-AP11L \$589	<input type="checkbox"/> ONYX-AP11L \$589	<input type="checkbox"/> LINX-AP11L \$635	<input type="checkbox"/> LINX2-AP11L \$670
		<input type="checkbox"/> AXYS-AP11V \$589	<input type="checkbox"/> ONYX-AP11V \$589	<input type="checkbox"/> LINX-AP11V \$635	<input type="checkbox"/> LINX2-AP11V \$670
		<input type="checkbox"/> AXYS-P12L \$236	<input type="checkbox"/> ONYX-P12L \$236	<input type="checkbox"/> LINX-P12L \$236	<input type="checkbox"/> LINX2-P12L \$277
		<input type="checkbox"/> AXYS-P12V \$236	<input type="checkbox"/> ONYX-P12V \$236	<input type="checkbox"/> LINX-P12V \$236	<input type="checkbox"/> LINX2-P12V \$277

Head Positioning - Use HCPCS Code E0955

Whitmyer headrests come unassembled. Please add item WHITASSY001 if the dealer would like parts assembled. This is a no charge option.



Receiver must be selected at bottom of page



Adult - 15"
 Peds - 11"
 EI - 10"



Adult - 15"
 Peds - 11"
 EI - 10"

PAD		PRO	COBRA	COBRA-FB
PLUSH <small>*Utilizes neoprene foam for a thinner pad</small>	19"	<input type="checkbox"/> PRO-P4L \$369	<input type="checkbox"/> COBRA-P4L \$520	<input type="checkbox"/> FB-COBRA-P4L \$681
	14"	<input type="checkbox"/> PRO-P2L \$266	<input type="checkbox"/> COBRA-P2L \$520	<input type="checkbox"/> FB-COBRA-P2L \$612
	10"	<input type="checkbox"/> PRO-P1L \$266	<input type="checkbox"/> COBRA-P1L \$520	<input type="checkbox"/> FB-COBRA-P1L \$612
	8"	<input type="checkbox"/> PRO-P3L \$266	<input type="checkbox"/> COBRA-P3L \$520	<input type="checkbox"/> FB-COBRA-P3L \$612
	6"	<input type="checkbox"/> PRO-P8L \$266	<input type="checkbox"/> COBRA-P8L \$520	<input type="checkbox"/> FB-COBRA-P8L \$612
	6"*	<input type="checkbox"/> PRO-P6L \$266	<input type="checkbox"/> COBRA-P6L \$520	<input type="checkbox"/> FB-COBRA-P6L \$623
	5"*	<input type="checkbox"/> PRO-P5L \$266	<input type="checkbox"/> COBRA-P5L \$520	<input type="checkbox"/> FB-COBRA-P5L \$623
	5"*	<input type="checkbox"/> PRO-P5V \$266	<input type="checkbox"/> COBRA-P5V \$520	<input type="checkbox"/> FB-COBRA-P5V \$623
ADJUST -A- PLUSH	Large (Std)	<input type="checkbox"/> PRO-AP2L \$393	<input type="checkbox"/> COBRA-AP2L \$635	<input type="checkbox"/> FB-COBRA-AP2L \$737
	Medium	<input type="checkbox"/> PRO-AP3L \$393	<input type="checkbox"/> COBRA-AP3L \$635	<input type="checkbox"/> FB-COBRA-AP3L \$737
	Small (Narrow)	<input type="checkbox"/> PRO-AP1L \$393	<input type="checkbox"/> COBRA-AP1L \$635	<input type="checkbox"/> FB-COBRA-AP1L \$737
	Small (Narrow)	<input type="checkbox"/> PRO-AP3V \$393	<input type="checkbox"/> COBRA-AP3V \$635	<input type="checkbox"/> FB-COBRA-AP3V \$737
	Small (Narrow)	<input type="checkbox"/> PRO-AP1V \$393	<input type="checkbox"/> COBRA-AP1V \$635	<input type="checkbox"/> FB-COBRA-AP1V \$737
DUAL MOUNT ADJUST -A- PLUSH	19"	<input type="checkbox"/> PRO-P44L \$646	N/A	
	14"	<input type="checkbox"/> PRO-P44V \$646	N/A	
	Large	<input type="checkbox"/> PRO-P22L \$542	N/A	
	Medium	<input type="checkbox"/> PRO-P22V \$542	N/A	
	Small	<input type="checkbox"/> PRO-AP22L \$646	<input type="checkbox"/> COBRA-AP22L \$878	<input type="checkbox"/> FB-COBRA-AP22L \$994
	Small	<input type="checkbox"/> PRO-AP22V \$646	<input type="checkbox"/> COBRA-AP22V \$878	<input type="checkbox"/> FB-COBRA-AP22V \$994
	Small	<input type="checkbox"/> PRO-AP33L \$646	<input type="checkbox"/> COBRA-AP33L \$878	<input type="checkbox"/> FB-COBRA-AP33L \$994
	Small	<input type="checkbox"/> PRO-AP33V \$646	<input type="checkbox"/> COBRA-AP33V \$878	<input type="checkbox"/> FB-COBRA-AP33V \$994
NARROW PLUSH	Large	<input type="checkbox"/> PRO-AP11L \$646	<input type="checkbox"/> COBRA-AP11L \$878	<input type="checkbox"/> FB-COBRA-AP11L \$994
	Small	<input type="checkbox"/> PRO-AP11V \$646	<input type="checkbox"/> COBRA-AP11V \$878	<input type="checkbox"/> FB-COBRA-AP11V \$994
		<input type="checkbox"/> PRO-P12L \$277	<input type="checkbox"/> COBRA-P12L \$510	<input type="checkbox"/> FB-COBRA-P12L \$623
		<input type="checkbox"/> PRO-P12V \$277	<input type="checkbox"/> COBRA-P12V \$510	<input type="checkbox"/> FB-COBRA-P12V \$623

Mounting Brackets - Use HCPCS Code E1028









Head Support System Mounting Brackets must be ordered separately, except for COBRA

Note: If Dual Mount Pad is selected then quantity 2 of the appropriate Mounting Bracket must be selected

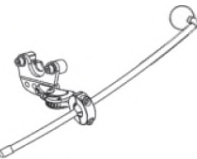
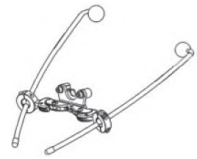

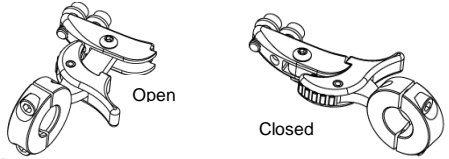
	AXYS	ONYX	LINX & LINXS ²	PRO	COBRA mounting system includes detachable mounting bracket
REMOVABLE MOUNTING BRACKET <small>(PART SOLD SEPARATELY FROM POST & PAD)</small>					
Detachable	<input type="checkbox"/> M2500 \$122	<input type="checkbox"/> M2100-WB \$99	<input type="checkbox"/> M2300 \$190	<input type="checkbox"/> M2200-WB \$214	
REMOVABLE & SWING-AWAY MNT BRACKET <small>(PART SOLD SEPARATELY FROM POST & PAD)</small>					
Swing-Away	<input type="checkbox"/> M5500 \$231	<input type="checkbox"/> M5100 \$214	<input type="checkbox"/> M5300 \$306	<input type="checkbox"/> M5200 \$329	

Lateral Facial Supports

Note: Cover Selection - Add L = Lycra or V = Dartex Reversed (Example: LFC-PLL)

																	
	2"	2.25" x 5"	2.25" x 7"	4" x 6"	2" x 6"	1.75" x 5"	1.25" x 4"										
	SPOT	STANDARD	LONG	OVAL	LARGE-C	MED-C	SMALL-C	FSO-8									
Unilateral	<input type="checkbox"/>	LFC10-PLL \$254 LM115 \$92	<input type="checkbox"/>	LFC15-PLL \$254 LM115 \$92	<input type="checkbox"/>	LFC20-PLL \$254 LM115 \$92	<input type="checkbox"/>	LFC25-PLL \$254 LM115 \$92	<input type="checkbox"/>	LFC30-PLL \$254 LM115 \$92	<input type="checkbox"/>	LFC35-PLL \$254 LM115 \$92	<input type="checkbox"/>	LFC40-PLL \$254 LM115 \$92	<input type="checkbox"/>	LFC80-PL \$295 LM115 \$92	
	<input type="checkbox"/>	LFC10-PLV \$254 LM115 \$92	<input type="checkbox"/>	LFC15-PLV \$254 LM115 \$92	<input type="checkbox"/>	LFC20-PLV \$254 LM115 \$92	<input type="checkbox"/>	LFC25-PLV \$254 LM115 \$92	<input type="checkbox"/>	LFC30-PLV \$254 LM115 \$92	<input type="checkbox"/>	LFC35-PLV \$254 LM115 \$92	<input type="checkbox"/>	LFC40-PLV \$254 LM115 \$92			
	<input type="checkbox"/>	LFC10-PL2L \$474 LM115 \$92	<input type="checkbox"/>	LFC15-PL2L \$474 LM115 \$92	<input type="checkbox"/>	LFC20-PL2L \$474 LM115 \$92	<input type="checkbox"/>	LFC25-PL2L \$474 LM115 \$92	<input type="checkbox"/>	LFC30-PL2L \$474 LM115 \$92	<input type="checkbox"/>	LFC35-PL2L \$474 LM115 \$92	<input type="checkbox"/>	LFC40-PL2L \$474 LM115 \$92		<input type="checkbox"/>	LFC80-PL2 \$541 LM115 \$92
	<input type="checkbox"/>	LFC10-PL2V \$474 LM115 \$92	<input type="checkbox"/>	LFC15-PL2V \$474 LM115 \$92	<input type="checkbox"/>	LFC20-PL2V \$474 LM115 \$92	<input type="checkbox"/>	LFC25-PL2V \$474 LM115 \$92	<input type="checkbox"/>	LFC30-PL2V \$474 LM115 \$92	<input type="checkbox"/>	LFC35-PL2V \$474 LM115 \$92	<input type="checkbox"/>	LFC40-PL2V \$474 LM115 \$92			
Pad Only*	<input type="checkbox"/>	PL10L \$82	<input type="checkbox"/>	PL15L \$116	<input type="checkbox"/>	PL20L \$116	<input type="checkbox"/>	P600L \$116	<input type="checkbox"/>	PL30L \$116	<input type="checkbox"/>	PL35L \$116	<input type="checkbox"/>	PL40L \$104	<input type="checkbox"/>	N/A	
	<input type="checkbox"/>	PL10V \$82	<input type="checkbox"/>	PL15V \$116	<input type="checkbox"/>	PL20V \$116	<input type="checkbox"/>	P600V \$116	<input type="checkbox"/>	PL30V \$116	<input type="checkbox"/>	PL35V \$116	<input type="checkbox"/>	PL40V \$104			

Lateral Facial Supports




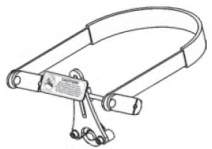
MOUNTING HARDWARE	 Unilateral	 Bilateral	 Infinity Mount	 Swing-Away Mount LM115
--------------------------	--	---	--	--

LATERAL FACIAL SUPPORT PARTS


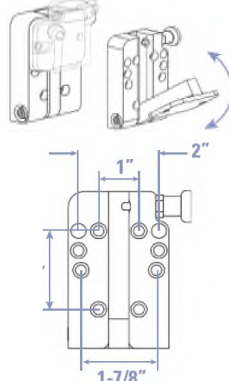
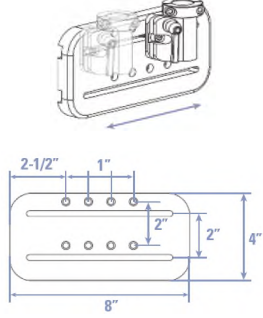
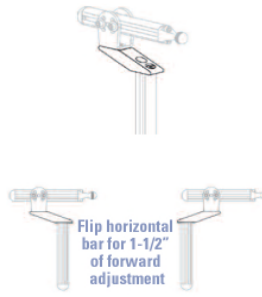
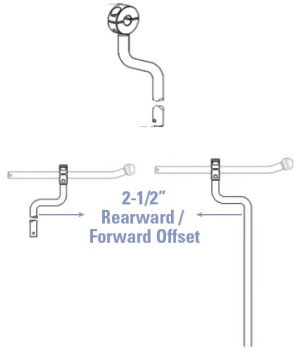
**Note: If ordering an additional Lateral Facial Support, select both a Lateral Facial Support Pad Only from above and an Infinity Mount from below as well*

	Option #	Definition	Price
<input type="checkbox"/>	242161	Infinity Dual Mount Assembly*	\$225
<input type="checkbox"/>	LM1010	Lateral Facial Support*	\$145

ANTERIOR HEAD SUPPORT

												
DYNAMIC FOREHEAD STRAP	DFS²	STRAP CAP	STATIC FOREHEAD STRAP									
ADULT	<input type="checkbox"/>	DFS10	\$334	<input type="checkbox"/>	DFSQ10	\$404	<input type="checkbox"/>	CAP10 (black)	\$462	<input type="checkbox"/>	HU10	\$364
PEDS	<input type="checkbox"/>	DFS30	\$334	<input type="checkbox"/>	DFSQ30	\$404	<input type="checkbox"/>	CAP30-R (red)	\$462			
	<input type="checkbox"/>			<input type="checkbox"/>			<input type="checkbox"/>	CAP30-B (blue)	\$462			

MOUNTING OPTIONS

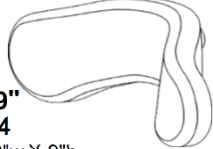




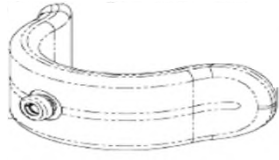
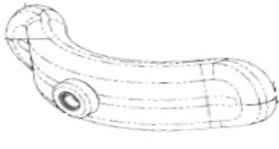
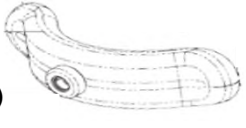
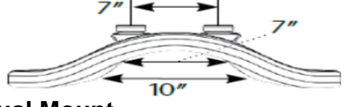
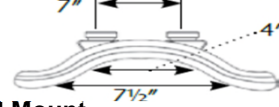
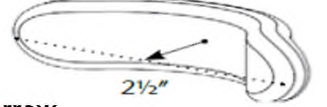
				
<p>FLEX INTERFACE BRACKET</p>	<p>UNIVERSAL SWING-AWAY MOUNT</p>	<p>SLIDE MOUNT</p>	<p>PRO OFF-SET MOUNTING SYSTEM</p>	<p>ONYX REARWARD OFF-SET VERTICAL ROD</p>

<input type="checkbox"/> M9450 (hard) \$214	<input type="checkbox"/> M5000 \$116	<input type="checkbox"/> M7010 \$110	<input type="checkbox"/> PRC7070 \$188	<input type="checkbox"/> OX6030 \$70
<input type="checkbox"/> M9451 (soft) \$214				

TOOLS

Option #	Definition	Price
<input type="checkbox"/> BOLT LUBE	Bolt Lube	\$10.00
<input type="checkbox"/> T2500	Tool Kit	\$8.00

Pad Styles

<p>PLUSH</p>	 <p>19" P4 19" w X 9" h</p>	 <p>14" P2 13-1/4" w X 7-1/2" h</p>	 <p>10" P1 9-1/4" w X 5" h</p>	 <p>8" P3 7-1/2" w X 5" h</p>	 <p>6" P8 6" w X 4" h</p>
<p>ADJUST -A- PLUSH</p>	 <p>Large (Std) AP2 8"-18" w X 5" h</p>	 <p>Medium AP3 7"-16" w X 4" h</p>	 <p>Small (Narrow) AP1 6"-14" w X 3" h</p>		
<p>SPECIALTY PLUSH</p>	 <p>19" Dual Mount P44 19" w X 9" h</p>	 <p>14" Dual Mount P22 13-1/4" w X 7-1/2" h</p>	 <p>12" Narrow P12 13-1/4" w X 5" h</p>		

