



ORDER FORM

To see QUICKIE Power Options
or Accessories, scan here or visit:
[https://www.sunrisemedical.com/
power-wheelchair-options-accessories](https://www.sunrisemedical.com/power-wheelchair-options-accessories)



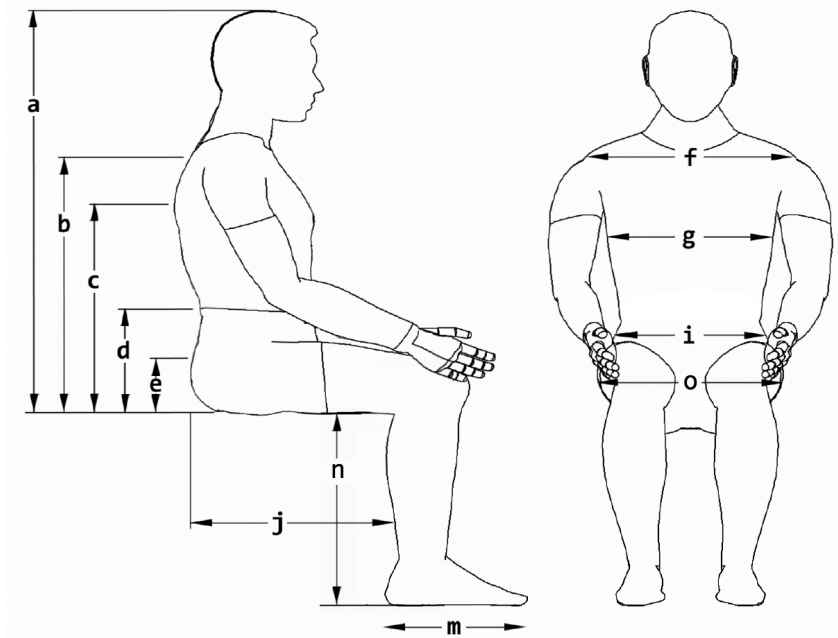
Q300M with SEDEO® PRO™ and JAY® Syncra™ Seating

EIPW40

Customer		Ship To	
Account #		Name	
Date		Address	
PO#		City	
Buyer		State	Zip
Mark For		Phone	

Client Measurements

a) Top of head to seat	in
b) Top of shoulder to seat	in
c) Underarm to seat	in
d) Elbow to seat	in
e) Top of leg to seat	in
f) Shoulder width	in
g) Chest width	in
i) Hip width	in
j) Actual sitting depth	in
m) Foot length	in
n) Knee to foot	in
o) Seat width	in



Notes

Chair Specifications

HCPC	K0848 / K0856 / K0861
Weights starting at: (with Batteries)	NPC: 287 lbs SPC: 312 lbs MPC: 322 lbs
Power Seating	50° of CG Tilt and Power Recline with 4" mechanical sheer reduction / 12" seat elevator
Seat Type	SEDEO® PRO™ / JAY® Syncra™
Seat Size Range	Width 16" to 22" Depth 14" to 22"
Seat-to-Floor Height Range	16.5" to 19"

Mid-Wheel Drive Base Specifications

Drive Wheel Position	Mid-wheel drive
User Weight Capacity	300 lbs.
Base Size	Width 20.5", Length 33"
Minimum Turning Radius	17" (excludes footplates)
Drive Control	R-net PM 90A / VR-2 90A / LiNX 120A
Driving Range	Up to 17 miles
Drive Motors	4-pole 6 mph / 10 kph
Drive Wheels	12" w/flat-free inserts (black) 14" w/flat-free inserts (black)
Casters	7" front / 7" rear (black)
Charger	8A Dual Mode (Compact)
Battery Size	50Ah Group 22
Color	9 shroud colors and 7 color accents
Ground Clearance	3"

BASE				
OPTION	HCPC	DESCRIPTION		RETAIL
Group 3 Standard Duty Mid Wheel Drive Base <i>End Item Number EIPW40 (PRO™ Seat)</i>				\$
400PC291	K0848	Quickie Q300 M NPC No Power Option for SEDEO® PRO™ Seat Included in Base Pricing : Q300 M Base, Non-Expandable Electronics, No Power Seat Functions, Six-Wheel Suspension, 12" Drive Wheels with Dual Density Inserts, 7" Flat Free Casters, ISO Occupied Tie-Down Brackets and 8amp Charger. Max Speed = 6mph, Weight Capacity = 300lbs., STFH = 16.5".		\$8,541.00
400PC292	K0856	Quickie Q300 M SPC Single Power Option for SEDEO® PRO™ Seat Included in Base Pricing : Q300 M Base, Non-Expandable Electronics, No Power Seat Functions, Six-Wheel Suspension, 12" Drive Wheels with Dual Density Inserts, 7" Flat Free Casters, ISO Occupied Tie-Down Brackets and 8amp Charger. Max Speed = 6mph, Weight Capacity = 300lbs., STFH = 16.5".		\$8,541.00
400PC293	K0861	Quickie Q300 M MPC Tilt/Recline for SEDEO® PRO™ Seat Included in Base Pricing: Q300 M Base, Non-Expandable Electronics, No Power Seat Functions, Six-Wheel Suspension, 12" Drive Wheels with Dual Density Inserts, 7" Flat Free Casters, ISO Occupied Tie-Down Brackets and 8amp Charger. Max Speed = 6mph, Weight Capacity = 300lbs., STFH = 16.5".		\$8,541.00
User Weight				\$
400WG23	–	Up to 300 lbs.		NC
Motor Package				\$
400PF99	–	4-pole 10 kph / 6 mph		NC
Tracking				\$
400MI01	K0108	R-net	SureTrac® Module & Motor Encoders <i>(Improves drive tracking)</i>	\$1,628.00
400MI04	K0108	LiNX	LiNX Traction Control System for LiNX <i>(GYRO Technology)</i>	\$595.00
Drive Wheels				\$
400DW13	–	Drive Wheel, 12", Solid, Knobby, Black		NC
400DW58	–	Drive Wheel, 14", Solid, Knobby, Black		NC
Caster Wheels				\$
400CW59	–	Caster Wheels 7", Solid, Black		NC
Shroud Color NEW <i>Base Shroud and Back Shroud are painted to match.</i>				\$
400C164	–	Black		NC
400C165	–	Candy Apple Red		NC
400C166	–	Candy Blue		NC
400C167	–	Candy Purple		NC
400C176	–	Green Apple		NC
400C178	–	Pearl Pink		NC
400C182	–	Silver		NC
400C125	–	White		NC
400C170	–	American Flag		\$602.00

BASE			
OPTION	HCPC	DESCRIPTION	RETAIL
Color Accents <i>Note: Color Accents and Shroud Colors may not match.</i>			\$
400EZ20	–	Apple Green	NC
400EZ22	–	Black	NC
400EZ21	–	Blue	NC
400EZ23	–	Orange	NC
400EZ24	–	Red	NC
400EZ19	–	White	NC
400EZ25	–	Silver	NC
Service Decals			\$
400D10	–	Army	NC
400D11	–	Air Force	NC
400D13	–	Marines	NC
400D14	–	Navy	NC
400D15	–	Purple Heart	NC
ISO Transit Tie Downs			\$
400T050	–	ISO Transit Package	NC
LED Lights			\$
400LI08	–	LED Fender Lights	\$566.00
400LI09	–	LED Fender Lights <i>(Available w/Multi-Power only)</i>	NC
400LI02	–	Omit LED Lights	NC
Seat Heights			\$
Seat Height <i>Measured from front of seat pan to floor with 0° frame angle. Not all seat heights are available with all seat depths and power seating. Please see online configurator for full availability.</i>			
400HT103	–	16.5"	NC
400HT55	–	17"	NC
400HT104	–	17.5"	NC
400HT56	–	18"	NC
400HT105	–	18.5"	NC
400HT57	–	19"	NC
Batteries and Chargers			\$
Group 22 Battery			
400AG35	E2361	GP22 / 50Ah Flat Top Pair	\$680.00
Omit Batteries			
400AG24	–	Battery Harnesses Only <i>(Omit Batteries)</i>	NC
Chargers			
400BJ30	–	10A Dual Mode (Compact)	\$110.00
400BJ19	–	8A Dual Mode (Compact)	NC

POWERED SEATING

OPTION	HCPC	DESCRIPTION	RETAIL
--------	------	-------------	--------

Power Seating Options \$**Seat Elevator**

400PI07	E2298	Seat Elevator, Powered, 300 mm / 12"	\$3,791.00
400PI08	E2298	C-Me® Seat Elevator, Powered, 300 mm / 12" (C-Me speed up to 3 mph) (N/A with VR-2)	\$3,791.00

Seat Tilt

400PA48	E1002	Posterior 50° Tilt	\$8,458.00
---------	-------	--------------------	------------

Seat Recline

400PA37	E1004	150° Powered Recline w/ 4" Shear Reduction	\$8,458.00
---------	-------	--	------------

Seat Tilt/Recline

400PA41	E1007	Posterior 50° Tilt and 150° Recline Powered, w/ 4" Shear Reduction	\$13,709.00
---------	-------	--	-------------

Power Recline Backrest Preset Home Angle

400QK1	–	90°	NC
400QK2	–	95° (Default Position)	NC

Pre Set Seat Frame Angle (No Power Seating Options, Increases Seat to Floor Height) \$

400FA10	–	0° (Adds 0" to STFH)	NC
400FA3	–	3° (Adds 1" to STFH)	NC

Backrest Frame Type \$

400BF16	–	Tool Angle Adjustable Back, 90°-120°	NC
400BF14	E1225	User Adjustable Manual Semi-Recline Back, 90°-130°, Right (Adjustment Lever Mounted on Opposite Side of Joystick)	\$682.00
400BF15	E1225	User Adjustable Manual Semi-Recline Back, 90°-130°, Left (Adjustment Lever Mounted on Opposite Side of Joystick)	\$682.00

Backrest Frame Option \$

400BF13	–	Flip Down, Quick Release	\$147.00
---------	---	--------------------------	----------

Back Cushion Type \$

400BT134	–	SEDEO® Back Cushion (Choose Seating in Section A)	NC
400BT138	–	JAY® Syncra™ (Choose Seating in Section B)	NC
400BT135	–	JAY® J3® (Choose Seating in Section C)	NC
400BT137	–	SEDEO® PRO™ Aftermarket Back Adapter (Height Adjustable Round Tubes for Traditional Mounting)	\$525.00
400BT133	–	OMIT (For personalized Mounting. No Headrest Mount)	NC

POWERED SEATING

OPTION	HCPC	DESCRIPTION	RETAIL
--------	------	-------------	--------

A - SEDEO® Backrest Dimensions

\$

Back Width

400BN28	–	400mm / 16"	NC
400BN29	–	460mm / 18"	NC
400BN30	–	500mm / 20"	NC
400BN31	–	560mm / 22"	NC

Back Shell Height

			Tool Angle Adjust.	150° Recline	Installed Back Height	
400B255	–	460mm / 18"	22"-23"	23"-25"		NC
400B256	–	560mm / 22"	24"-27"	26"-29"		NC
400B257	–	660mm / 26"	28"-30"	30"		NC

Installed Back Height - (From Pan to Top of Back)

400JR32	–	22"	NC
400JR33	–	23"	NC
400JR34	–	24"	NC
400JR35	–	25"	NC
400JR36	–	26"	NC
400JR37	–	27"	NC
400JR38	–	28"	NC
400JR39	–	29"	NC
400JR40	–	30"	NC

B - JAY® Syncra™ Seating

B - JAY® Syncra™ Back  P. 21

\$

400JP14	E2620	JAY® Syncra™ Back 16-20" Wide with 3" Contour Depth	\$1,138.00
400JP15	E2621	JAY® Syncra™ Back 22" Wide with 3" Contour Depth	\$1,255.00

B - JAY® Syncra™ Back Width

\$

Back can be ordered a different width than seat pan. Armrest will be adjusted to back width ordered.

400JQ07	–	16" Wide (Adjustment range 16 to 17" Wide)*	NC
400JQ08	–	18" Wide (Adjustment range 18 to 19" Wide)*	NC
400JQ09	–	20" Wide (Adjustment range 20 to 21" Wide)*	NC
400JQ10	–	22" Wide (Adjustment range 22 to 23" Wide)	NC

*Additional +1" of shell width adjustment is achievable. Requires purchase of 1" larger foam and upholstery separately.

POWERED SEATING

OPTION	HCPC	DESCRIPTION	RETAIL
--------	------	-------------	--------

B - JAY® Syncra™ Back Shell Options and Height Ranges

\$

JAY® Syncra™ Back shells are mounted with a minimum 5.5" gap between the bottom of the shell to the seat pan to accommodate the mechanical shear. Back height can be adjusted in the field with-in the ranges shown based on the back frame type.

JAY® Syncra™ Shell Height

400JR42	–	16" Tall Shell (22" to 24" Back Height)	NC
400JR43	–	18" Tall Shell (24" to 26" Back Height)	NC
400JR44	–	20" Tall Shell (26" to 28" Back Height)	NC
400JR45	–	22" Tall Shell (28" to 30" Back Height)	NC

JAY® Syncra™ Back Installed Back Height (From Pan to Top of Back)

400JR50	–	22" (16" Shell Height)	NC
400JR51	–	23" (16" Shell Height)	NC
400JR52	–	24" (16" Shell Height)	NC
400JR53	–	24" (18" Shell Height)	NC
400JR54	–	25" (18" Shell Height)	NC
400JR55	–	26" (18" Shell Height)	NC
400JR56	–	26" (20" Shell Height)	NC
400JR57	–	27" (20" Shell Height)	NC
400JR58	–	28" (20" Shell Height)	NC
400JR67	–	28" (22" Shell Height)	NC
400JR68	–	29" (22" Shell Height)	NC
400JR69	–	30" (22" Shell Height)	NC

B - JAY® Syncra™ Back Upholstery

\$

400BU96	–	Syncra™ Premium Leatherette	NC
400BU97	–	Syncra™ Stretch	NC

C - JAY® J3® Back**C - JAY® J3® Back - Contour**

\$

400JP01	E2613	J3® PA Back for 16"-20" Wide	\$625.00
400JP02	E2614	J3® PA Back for 22" Wide	\$928.00
400JP11	E2615	J3® PL Back for 16"-20" Wide	\$729.00
400JP13	E2620	J3® PD Back for 16"-20" Wide (18" and 21" Shell Height Only)	\$875.00

C - JAY® J3® Back Width

\$

Back can be ordered a different width than seat pan. Armrest will be adjusted to back width ordered.

400JQ02	–	16"	NC
400JQ03	–	18"	NC
400JQ04	–	20"	NC
400JQ05	–	22"	NC

POWERED SEATING

OPTION	HCPC	DESCRIPTION	RETAIL
--------	------	-------------	--------

C - JAY® J3® Back Shell Options and Height Ranges

\$

JAY® J3® shells are mounted with a minimum 4" gap between the bottom of the shell to the seat pan to accommodate the mechanical shear. Back height can be adjusted in the field within the ranges shown.

JAY® J3® Shell Height			Tool Angle Adjust.	150° Recline	Installed Back Height		
400JR41	–	15" tall shell (Upper Thoracic Med) for 22" Wide	22"-23"	22"-23"			NC
400JR14	–	16.5" tall shell (Upper Thoracic Short)	21"-23"	22"-24"			NC
400JR15	–	18" tall shell (Upper Thoracic Med)	22"-24"	23"-25"			NC
400JR16	–	19.5" tall shell (Upper Thoracic Tall)	24"-26"	24"-26"			NC
400JR18	–	18" tall shell (Shoulder Height) for 22" wide	24"	24"			NC
400JR17	–	21" tall shell (Shoulder Height)	24"-26"	25"-28"			NC
400JR27	–	22.5" tall shell (Shoulder Height)	26"-28"	27"-30"			NC
400JR28	–	24" tall shell (Shoulder Height)	27"-29"	28"-30"			NC

JAY® J3® Installed Back Height (From Pan to Top of Back)

400JR29	–	21"				NC
400JR19	–	22"				NC
400JR20	–	23"				NC
400JR21	–	24"				NC
400JR22	–	25"				NC
400JR23	–	26"				NC
400JR24	–	27"				NC
400JR25	–	28"				NC
400JR30	–	29"				NC
400JR31	–	30"				NC

C - JAY® Anterior Thoracic Support

\$

Classic-Structure Pull Down Harness (4 point strap, Only available with JAY® backrest)

400K10	E0960	Medium (ATS8302)		\$177.00
400K11	E0960	Large (ATS8303)		\$177.00

C - JAY® Lateral Thoracic Swing-Away Supports (Requires Pad, Upholstery and Mount)

\$

JAY® Lateral Thoracic Support Pads

400JW35	E0956	Lateral Thoracic (L x H) 100 mm x 127 mm / 4" x 5" Pad - Right		\$147.00
400JW38	E0956	Lateral Thoracic (L x H) 100 mm x 127 mm / 4" x 5" Pad - Left		\$147.00
400JW36	E0956	Lateral Thoracic (L x H) 100 mm x 152 mm / 4" x 6" Pad - Right		\$147.00
400JW39	E0956	Lateral Thoracic (L x H) 100 mm x 52 mm / 4" x 6" Pad - Left		\$147.00
400JW37	E0956	Lateral Thoracic (L x H) 152 mm x 100 mm / 6" x 4" Pad - Right		\$147.00
400JW40	E0956	Lateral Thoracic (L x H) 152 mm x 100 mm / 6" x 4" Pad - Left		\$147.00

POWERED SEATING

OPTION	HCPC	DESCRIPTION	RETAIL
--------	------	-------------	--------

JAY® Lateral Thoracic Support Pad Upholstery

400NU01	–	Syncra™ Premium Leatherette	NC
400NU02	–	Syncra™ Stretch	NC

JAY® Lateral Thoracic Swing-Away Mount

400JW41	E1028 E1034	Lateral Thoracic Swing Away Bracket - Right	\$292.00
400JW42	E1028 E1034	Lateral Thoracic Swing Away Bracket - Left	\$292.00

C - JAY® Syncra™ Fixed Lateral Support Accessory

\$

JAY® Fixed Lateral Support Accessory Hardware (JAY® Fixed Lateral Support is height adjustable)

400JW33	E0956	Fixed Lateral Support Accessory (L x H) 90 mm x 140 mm / 3.5" x 8" - Right	\$147.00
400JW34	E0956	Fixed Lateral Support Accessory (L x H) 90 mm x 140 mm / 3.5" x 8" - Left	\$147.00

Headrests (Requires Pad, Upholstery, & Mount)

\$

Headrest Pad

400HE36	E0955	SEDEO® Pad Small with Cover (LxH) 240 x 150 mm / 10" x 6" <i>Can only be used with Multi Position Headrest Mount with quick-release and SEDEO® upholstery</i>	\$188.00
400HE38	E0955	Whitmyer® Plush Headrest Pad 203 mm / 8"	\$239.00
400HE39	E0955	Whitmyer® Plush Headrest Pad 254 mm / 10"	\$239.00
400HE44	E0955	Whitmyer® Plush Headrest Pad 356 mm / 14"	\$250.00
400HE46	E0955	Whitmyer® Adjust-A-Plush Headrest Pad Medium (Adjustable 7" to 16" Wide x 4" Tall)	\$367.00
400HE48	–	OMIT Headrest Pad	NC

Headrest Pad Upholstery

400NU10	–	SEDEO® Upholstery	NC
400NU11	–	Whitmyer® Lycra/Stretch	NC

Headrest Mount

400MH32	E1028 E1033	SEDEO® Multi-Position Headrest Mount with Quick Release (Only available with SEDEO® Pad)	\$234.00
400MH33	E1028 E1033	Whitmyer® Linx Headrest Mount with Quick Release	\$192.00
400MH34	E1028 E1033	Whitmyer® Linx-2 Headrest Mount with Quick Release	\$234.00
400MH35	E1028 E1033	Whitmyer® AXYS Headrest Mount with Quick Release	\$123.00
400MH17	–	OMIT Headrest Mount	NC

Push Handles

\$

400PH27	–	Height Adjustable Push Handles	\$350.00
---------	---	--------------------------------	----------

Seat Frame Rails

\$

400SN14	–	Seat Rail Short, for Effective Seat Depth 14" - 18"	NC
400SN15	–	Seat Rail Long, for Effective Seat Depth 17" - 22"	NC

POWERED SEATING

OPTION	HCPC	DESCRIPTION	RETAIL
Seat Cushion Type			\$
400ST81	–	JAY® Syncra™ (See Section D)	NC
400ST80	–	JAY® (See Section E)	NC
400ST75	–	Omit	NC
Seat Size			\$
Seat Pan Width			
400R53	–	16"	NC
400R54	–	17"	NC
400R55	–	18"	NC
400R56	–	19"	NC
400R57	–	20"	NC
400R58	–	21" <i>(Not available with JAY® Syncra™ Cushions)</i>	NC
400R59	–	22"	NC
Seat Pan Depth (Front of seat pan to front of back cushion – effective depth)			
400RF52	–	14"	NC
400RF53	–	15"	NC
400RF51	–	16"	NC
400RF45	–	17"	NC
400RF46	–	18"	NC
400RF47	–	19"	NC
400RF48	–	20"	NC
400RF49	–	21" <i>(Not available with JAY® Syncra™ Cushions)</i>	NC
400RF50	–	22"	NC
D - JAY® Syncra™ Cushion  P.21 (JAY Your Way modifications available through Customer Service (800) 333-4000)			\$
400CU89	E2622	JAY® Syncra™ Cushion featuring JAY Flow® Fluid with Cryo™ Technology <i>(16" to 20" wide)</i>	\$630.00
400CU90	E2623	JAY® Syncra™ Cushion featuring JAY Flow® Fluid with Cryo™ Technology <i>(22" wide)</i>	\$729.00
JAY® Syncra™ Cushion Cover Upholstery			
400YR73	–	Syncra™ Premium Leatherette	NC
400YR74	–	Syncra™ Stretch	NC
E - JAY® Seat Cushion			\$
400CU59	E2607	JAY® Ion® <i>(Sizes 16" to 21" Wide)</i>	\$460.00
400CU60	E2608	JAY® Ion® <i>(Size 22" Wide)</i>	\$578.00
400CU61	E2607	JAY® Union® <i>(Sizes 16" to 21" Wide)</i>	\$520.00
400CU62	E2608	JAY® Union® <i>(Size 22" Wide)</i>	\$635.00
400CU64	E2622	JAY® Fusion® <i>(Sizes 16" to 21" Wide)</i>	\$514.00
400CU65	E2623	JAY® Fusion® <i>(Size 22" Wide)</i>	\$613.00

POSITIONING SUPPORTS & ACCESSORIES

OPTION	HCPC	DESCRIPTION	RETAIL
--------	------	-------------	--------

Knee and Thigh Swing-Away Support Pads

\$

Lateral Knee Support Pads and Hardware *(must pick pad and mount)*

400XY05	E0953	Lateral Knee Support Pad, Right (4" round)	\$205.00
400XY06	E0953	Lateral Knee Support Pad, Left (4" round)	\$205.00
400XX08	E1028	Lateral Swing-Away Bracket Knee - Right	\$268.00
400XX09	E1028	Lateral Swing-Away Bracket Knee - Left	\$268.00

Lateral Thigh Support Pads and Hardware *(must pick pad and mount)*

400KF22	E0953	Lateral Thigh Support Pad Short, Right (5" H x 5" L)	\$147.00
400KF23	E0953	Lateral Thigh Support Pad Short, Left (5" H x 5" L)	\$147.00
400KF24	E0953	Lateral Thigh Support Pad Long, Right (5" H x 7" L)	\$147.00
400KF25	E0953	Lateral Thigh Support Pad Long, Left (5" H x 7" L)	\$147.00
400KF26	E1028	Lateral Thigh Removable Mount - Right	\$292.00
400KF27	E1028	Lateral Thigh Removable Mount - Left	\$292.00

JAY® Lateral Thigh Supports *(Must pick pad, upholstery, and mount)*

\$

JAY® Lateral Thigh Support Pads

400KF16	E0953	Lateral Thigh Support Pad Standard, Right (8.25" x 3.25")	\$147.00
400KF17	E0953	Lateral Thigh Support Pad Standard, Left (8.25" x 3.25")	\$147.00
400KF18	E0953	Lateral Thigh Support Pad Large, Right (12" x 3.25")	\$147.00
400KF19	E0953	Lateral Thigh Support Pad Large, Left (12" x 3.25")	\$147.00

JAY® Lateral Thigh Support Pad Upholstery

400NU07	–	Syncra™ Premium Leatherette	NC
400NU08	–	Syncra™ Stretch	NC

JAY® Lateral Thigh Removable Mount

400KF20	E1028	Lateral Thigh Removable Mount - Right	\$292.00
400KF21	E1028	Lateral Thigh Removable Mount - Left	\$292.00

Armrest Structure

\$

400EG35	–	Reclining, Flip Back, Long <i>(Height Adjustable 9" to 15")</i>	NC
400EG41	–	Reclining, Flip Back, Short <i>(Best used with shorter seat depths) (Height Adjustable 9" to 15")</i>	NC
400EG36	–	Reclining, Flip Back with 2-point post locking arm <i>(Height Adjustable 11" to 15" x 0.625")</i>	\$292.00
400EG51	–	Reclining, Flip Back, Dual Link Armrest <i>(No Charge for Multi-Power) (Height Adjustable 8" to 15" including length and lateral adjustment)</i>	NC
400EG52	–	Reclining, Flip Back, Dual Link Armrest <i>(Height Adjustable 8" to 15" including length and lateral adjustment)</i>	\$352.00
400EG32	–	Single Post, Flip Back <i>(N/A with thigh support) (Height Adjustable 10" to 15")</i>	NC
400EG50	–	Dual Post, Flip Back, Removable <i>(Height Adjustable)</i>	\$225.00

POSITIONING SUPPORTS & ACCESSORIES

OPTION	HCPC	DESCRIPTION	RETAIL
Arm Pads			\$
SEDEO® Armrest Pad			
400AB43	–	300 mm / 12", Integral Foam, Right	NC
400AE43	–	300 mm / 12", Integral Foam, Left	NC
400AB44	–	400 mm / 16", Integral Foam, Right	NC
400AE44	–	400 mm / 16", Integral Foam, Left	NC
Dual Post Armrest Pad			
400AB74	–	250 mm / 10", Classic Desk Foam, Right	NC
400AE74	–	250 mm / 10", Classic Desk Foam, Left	NC
400AB76	–	250 mm / 10", Waterfall Desk, Right	NC
400AE76	–	250 mm / 10", Waterfall Desk, Left	NC
400AB75	–	350 mm / 14", Classic Full Foam, Right	NC
400AE75	–	350 mm / 14", Classic Full Foam, Left	NC
400AB77	–	350 mm / 14", Waterfall Full, Right	NC
400AE77	–	350 mm / 14", Waterfall Full, Left	NC
Comfort Arm Pad (Foam)			
400AB46	–	2" Wide Right	\$88.00
400AE46	–	2" Wide Left	\$88.00
Comfort Arm Pad (Gel)			
400AB48	–	2" Wide Right	\$175.00
400AE48	–	2" Wide Left	\$175.00
Ottobock® Arm Troughs			
400AE06	–	Ottobock Arm Trough, Med (12"), Left	\$136.00
400AB06	–	Ottobock Arm Trough, Med (12"), Right	\$136.00
400AE07	–	Ottobock Arm Trough, Large (14"), Left	\$136.00
400AB07	–	Ottobock Arm Trough, Large (14"), Right	\$136.00
400OL01	–	Ottobock Hand Pad, Med (7"), Left	\$59.00
400OR01	–	Ottobock Hand Pad, Med (7"), Right	\$59.00
400OL02	–	Ottobock Hand Pad, Large (9"), Left	\$59.00
400OR02	–	Ottobock Hand Pad, Large (9"), Right	\$59.00
400AE78	–	Ottobock 1 Piece Arm Trough (18"), Left	\$190.00
400AB78	–	Ottobock 1 Piece Arm Trough (18"), Right	\$190.00

POSITIONING SUPPORTS & ACCESSORIES

OPTION	HCPC	DESCRIPTION	RETAIL
Elbow Support			\$
4003A02	–	Elbow Support Pad, RH 3" x 10" <i>(Includes side support)</i>	\$179.00
4003A03	–	Elbow Support Pad, LH 3" x 10" <i>(Includes side support)</i>	\$179.00
4003A06	–	Elbow Support Pad, RH 3" x 3"	\$149.00
4003A07	–	Elbow Support Pad, LH 3" x 3"	\$149.00
4003A04	E1028	Swing-Away Elbow Support Hardware, RH	\$245.00
4003A05	E1028	Swing-Away Elbow Support Hardware, LH	\$245.00
Side Guards (Pair)			\$
400SG44	E0953	Side Guards Integral Foam (11"L x 5.5"H) <i>(N/A with Reclining Armrests)</i>	\$239.00
Fixed Centermount Legrest			\$
400H184	–	Fixed Centermount Legrest, Short <i>(Includes Calf Pads) (11.5" to 14.5" Leg Length)</i>	NC
400H185	–	Fixed Centermount Legrest, Long <i>(Includes Calf Pads) (13.5" to 18.5" Leg Length)</i>	NC
400H136	–	Angle Adjustable Centermount Legrest <i>(11.5" to 18.5" Leg Length)</i>	\$525.00
Power Centermount Legrest			\$
400H109	E1012	SEDEO® Power Centermount Legrest, 90° - 0° Angle, 7.5" Extension <i>(Powered Articulation) (3" to 17.5" Leg Length)</i>	\$3,791.00
Centermount Legrest Accessories			\$
Power Centermount Footplates			
400F127	K0040	Dual, Height, Width and Angle Adjustable, Standard <i>(14"W x 10"D)</i>	\$197.00
400F128	K0040	Dual, Height, Width and Angle Adjustable, Large <i>(16"W x 12"D)</i>	\$197.00
Footplate Accessories (Available with Power Centermounts)			
400DI68	K0108	Extra Large Centermount Footplate <i>(Single Footplate Overlay 16"W x 12"D)</i>	\$199.00
400DI69	K0108	Footplate Connector Link <i>(Attaches footplates together)</i>	\$97.00
400DI57	K0108	Gel Footpads <i>(Pair, LH and RH)</i>	\$403.00
Angle Adjustable / Fixed Centermount Footplates			
400F45	–	Single/Dual Footplate	NC
Power Centermount Calf Pads			
400DI34	–	Calf Pads, Pair, Standard Integral Foam	NC
400DI35	–	Calf Pads, Pair, Padded <i>(N/A w/ std. footplate)</i>	\$408.00
Angle Adjustable Centermount Calf Pads			
400DI49	–	Calf Pads, Pair, Standard Integral Foam	NC
400DI50	–	Extra Large Single Calf Pad	\$175.00
SEDEO® PRO™ Swing-Away Legrest (Pair) (Footplates, calf supports & options must be selected separately.)			\$
400H177	–	Legrests, Swing-Away, 70°, SEDEO® PRO™ <i>(14" to 21" Leg Length)</i>	NC
400H178	E0990	Legrests, Manual Elevating, Swing-Away, SEDEO® PRO™ <i>(Includes Padded Calf Pads) (14.5" to 21.5" Leg Length)</i>	\$408.00
400H179	E1010	Legrests, Power Elevating, Swing-Away, SEDEO® PRO™ <i>(Includes Padded Calf Pads) (15.5" to 22.5" Leg Length)</i>	\$2,508.00
400HI76	–	Omit Legrests	NC

POSITIONING SUPPORTS & ACCESSORIES

OPTION	HCPC	DESCRIPTION	RETAIL
Swing-Away Legrest Footplates			
400F369	K0040	Angle Adjustable Flip-Up Footplates	\$197.00
Swing-Away Legrest Calf Supports			
400DI42	–	Calf Support, Depth Adjustable, Padded (6.5" to 8" Wide, depending on chair width, x 9.5" Tall)	\$460.00
Swing-Away Legrest Options			
400DI44	E0951	Heel Loops	\$58.00
400KG4	–	Knee Pads, Integral Foam (2.5" Wide x 4.5" Tall)	\$234.00
SEDEO® Lower Extremity Swing-Away Support			
400VD01	E1020	Lower Extremity Support, Padded, Swing-Away, SEDEO®, Right	\$460.00
400VD02	E1020	Lower Extremity Support, Padded, Swing-Away, SEDEO®, Left	\$460.00
Pelvic Positioning Belts			
400A837	–	Positioning Belt, Auto Style Buckle, 50 mm 1600 mm / 2"	NC
400A839	–	Positioning Belt, Aircraft Buckle, 50 mm x 1300 mm / 2"	NC
400A840	E0978	Positioning Belt, Aircraft Buckle, Padded 50 mm x 1300 mm / 2"	\$88.00
400A845	K0108	Bodypoint – Evoflex Pelvic Stabilizer Belt	\$203.00
400A846	K0108	Bodypoint – Evoflex Pelvic Stabilizer Belt with Extension	\$224.00
Accessories			\$
Ventilator Option			
400VT12	E1029	Vent Tray Fixed (Pulmonetic LTV Models)	\$542.00
O2 Tank Option			
400A718	E2208	O2 Tank Holder Mounted to Backrest (D and E Styles)	\$379.00
Wheelchair Tray Table			
4007A09	E0950	Tray, Swing-Away	\$408.00
Medial Thigh Support			
4008A80	E0957	Medial Thigh Support	\$197.00
4008A81	E1028	Pommel Swing-Away Hardware	\$292.00
Backpack			
400A1	–	Black Utility	\$63.00
Misc. Accessories			
4008A59	–	Transfer Bar (Pair)	\$408.00
4008A52	–	Ram Mount Phone	\$100.00
4008A53	–	Ram Mount Tablet	\$408.00
4008A54	–	Ram Mount Cup Holder	\$100.00
4008A58	–	Rear View Mirror	\$100.00
400A611	–	Crutch Holder	\$147.00
4008A73	–	Bag for Armrest	\$100.00
4008A75	–	Reflectors (Backrest shroud mounted)	\$100.00
4009A10	–	Utility Hooks	\$60.00

JOYSTICK / ELECTRONICS				
OPTION	HCPC	TYPE	DESCRIPTION	RETAIL
Electronics Package				\$
400EL01	–	VR-2	VR-2 or R-net Electronics	NC
400EL02	–		LiNX Electronics <i>(Not available with Recline Only. SitSmarter not available on Tilt Only Configuration)</i>	NC
VR-2 Joystick				\$
400J127	–	VR-2	VR-2 Joystick	NC
R-net Joystick (Remote)				\$
400J121	–	R-net	Standard LED Joystick <i>(w/o Screen Display)</i>	NC
400J116	–	R-net	Color Joystick <i>(2.3" Color LCD Screen Display, CJSM1)</i>	NC
400J118	–	R-net	High Resolution Color Joystick, (CJSM2+BT) <i>3.5" Color LCD Display, Paddle Switches, Programmable Shortcut Keys, ICONs, Stereo Jack, IR and dual (IOS/Android) Bluetooth control</i>	\$1,230.00
400J119	–	R-net	Omit Remote Control <i>(Required with arm mounted specialty controls)</i>	NC
LiNX Joystick				\$
400J143	–	LiNX	REM110 - Drive Only Remote Joystick <i>(Adaptive Load Compensation)</i>	NC
400J144	–	LiNX	REM200 Series - LED Joystick <i>(Adaptive Load Compensation, LED icon-based menu, Two Rocker Switches)</i> <i>(REM200 not offered with multi-power. See configurator for full offering.)</i>	NC
400J145	–	LiNX	REM400 - Touch Screen Color Display Joystick <i>(3.5" Color Display, Highly Configurable Touch Interface, Two Multi-Purpose Buttons, Two Stereo Jacks, Audible Cues, Bluetooth, & Adaptive Load Compensation)</i>	\$1,230.00
400J148	–	LiNX	REM400 - Touch Screen Color Display Joystick - N/C for multipower <i>(3.5" Color Display, Highly Configurable Touch Interface, Two Multi-Purpose Buttons, Two Stereo Jacks, Audible Cues, Bluetooth, & Adaptive Load Compensation)</i>	NC
400J146	–	LiNX	REM400 - Touch Screen Color Display Joystick with Toggle Switches <i>(3.5" Color Display, Highly Configurable Touch Interface, Two Multi-Purpose Buttons, Programmable Toggle Switches, Two Stereo Jacks, Audible Cues, Bluetooth, & Adaptive Load Compensation)</i>	\$1,630.00
400J149	–	LiNX	REM400 - Touch Screen Color Display Joystick with Toggle Switches - Multi-Power <i>(3.5" Color Display, Highly Configurable Touch Interface, Two Multi-Purpose Buttons, Programmable Toggle Switches, Two Stereo Jacks, Audible Cues, Bluetooth, & Adaptive Load Compensation)</i>	\$400.00
400J147	–	LiNX	Omit Remote Control <i>(Required with arm mounted specialty controls)</i>	NC
Joystick Mounting				\$
400JM34	–		Fixed on Armrest	NC
400JM35	E1028 E1032		Parallel Swing-Away	\$345.00
400JM36	E1028 E1032		Link-It Mid Line Mount on Armrest <i>(Swing-Away)</i>	\$991.00
400JM49	–		Attendant <i>(Available with R-net LED or CJSM1 or LiNX REM100, REM200, or REM400 only. Mounted to Push Handle)</i>	NC
Joystick Mount (Location)				\$
400HM16	–		Right Hand	NC
400HM17	–		Left Hand	NC
Display Language Selection				\$
400L1	–		English	NC
400L3	–		French	NC
400L7	–		Spanish	NC

JOYSTICK / ELECTRONICS

OPTION	HCPC	TYPE	DESCRIPTION	RETAIL
Joystick Handle (Optional)				\$
400JH13	E2323	Both	Ball Handle	\$147.00
400JH15	E2323	R-net	T-Handle	\$147.00
400JH24	E2323	Both	Bodypoint – Rubber Dome Joystick Handle	\$191.00
400JH25	E2323	Both	Bodypoint – U-Shaped Joystick Handle	\$191.00
400JH26	E2323	Both	Bodypoint – Grooved Mushroom Joystick Handle	\$191.00
400JH30	E2323	LiNX	Chin Cup	\$147.00
400JH31	E2323	LiNX	Golf Ball	\$147.00

Electronic Programmers				\$
400PR13	–	R-net	PC Wireless Programmer	\$613.00
400PR14	–	LiNX	Access Key (LAK)	\$225.00

Power Modules				\$
400ER12	–	VR-2	Power Module, VR-2 90A, Non-Expandable	NC
400ER22	–	R-net	Power Module, R-net, 90A, Non-Expandable <i>(Only available with Single Power)</i>	NC
400ER13	–	R-net	Power Module, R-net, 90A, Expandable <i>(Required for Specialty Controls or 2+ Actuators)</i>	\$1,335.00
400EX11	E2377	R-net	Expandable 90A Controller - R-net	\$706.00
400EX12	E2313	R-net	Harness for 90A Expandable Controller	\$629.00
400ER24	–	LiNX	Power Module, LiNX, 120A, Non-Expandable <i>(Only available with Single Power)</i>	NC
400ER25	–	LiNX	Power Module, LiNX, 120A, Expandable <i>(Required for Specialty Controls or 2+ Actuators)</i>	\$1,335.00
400EX19	E2377	LiNX	Expandable 120A Controller - LiNX	\$706.00
400EX20	E2313	LiNX	Harness for 120A Expandable Controller - LiNX	\$629.00

Seating Control \$**Powered Seating Control**

400E040	–	Omit Thru-Drive	<i>(Requires Switch Control)</i>	NC
400E037	E2310	Thru-drive Control	for 1 Actuator	\$2,240.00
400E038	E2311	Thru-drive Control	for 2+ Actuators	\$4,055.00

Switch Control *(Available with Omit Thru-Drive only) (1 Actuator for Tilt or Elevate only)*

400E033	–	R-net	Dual Toggle for 1 Actuator	NC
400E034	–	Both	2.5" Single Button Switch for 1 Actuator <i>(Button switches are not mounted)</i>	NC
400E041	–	R-net	Ctrl+5 Switch Box with Voice Activation for 2 Actuators or more	NC
400E042	–	LiNX	LiNX 10 Way Switch Box for Actuator Control for 1 Actuator or more	NC

Additional Power Seating Control *(Available with Thru-Drive only)*

400QG11	–	Ctrl+5 Switch Box	with Voice Activation	\$1,459.00
400QG12	–	Ctrl+5 Switch Box	with Voice Activation <i>(Multi-power only)</i>	NC
400QG16	–	LiNX 10 Way Switch Box	for Actuator Control	NC

Dual Toggle Mounting Location

400TN1	–	Toggle Mount,	Right	NC
400TN2	–	Toggle Mount,	Left	NC

JOYSTICK / ELECTRONICS

OPTION	HCPC	TYPE	DESCRIPTION	RETAIL
--------	------	------	-------------	--------

Power Seating Control Mounting Location *(Will swing away if mounted on the same side as the joystick)*

400EY19	–	Right Armrest		NC
400EY20	–	Left Armrest		NC
400EY21	–	Back Cane, Right		\$175.00
400EY24	–	Back Cane, Left		\$175.00

Ctrl+5 Switch Type

400EY22	–	R-net	Push Buttons	NC
400EY23	K0108	R-net	Toggle Switches	\$350.00

Attendant Controls

4000A05	E2331	R-net	Dual Control Module for Attendant	\$1,517.00
4000A06	E2331	R-net	R-net Color LCD (CJSM1), Control Attendant Only	\$1,517.00
4000A11	E2331	LiNX	LiNX Attendant Control Unit (ACU200)	\$995.00

Attendant Mounting Location

400DN5	–	Right Back Cane		NC
400DN6	–	Left Back Cane		NC

Programming**Assignable Buttons**

Assignable Button feature allows for personalization of joystick buttons and/or Ctrl+5 Switches allowing access to various wheelchair and seating functions. When enabled, chair will be pre-programmed with seating functions assigned to buttons on the joystick. Assignments can be changed via PC Dongle.

400PM12	–	Include Assignable Buttons		NC
---------	---	----------------------------	--	----

Power Centermount Footplate Extension Option

400IE03	K0108	Include 7.5" Powered Footplate Extension for Transfer Assist <i>(Electronics programmed to allow footplates to be extended with or without legrest being raised.) Only Available with Powered Articulation</i>		\$1,459.00
---------	-------	--	--	------------

Memory Seating Positions

Memory Seating Positions - SitSmarter - allows for positions to be saved and then can be accessed with a single command, moving all related actuators at once to the preset location. Positions can be locked for clinical goals and have others unlocked for easily adjustable positions for comfort and functionality that can be adjusted by the user. Angles can be shown on screen to provide live feedback.

400PM19	K0108	LiNX	Memory Seating Positions – SitSmarter <i>(SitSmarter not compatible with Tilt Only configurations)</i>	NC
---------	-------	------	--	----

R-net Omni2 Options *For Expandable Controls, choose all that apply.*

4000N14	–	R-net Omni2 Only Input Control Module and 3.5" LCD Display w/ Built-In Infrared and Bluetooth® Choose Mount Below		\$2,072.00
4000N15	–	R-net Omni2 Bundled Input Control Module and 3.5" LCD Display w/ Built-In Infrared and Bluetooth® Bundled Omni2 Available w/ Switch-It Input Devices		NC

LiNX REM500 Display and IN500 Input Module Options

400AI01	–	LiNX REM500 Only Input Control Module and 3.5" Touch LCD Display with 2 Stereo Jacks, 2 Buttons, Audible Cues and Bluetooth (Choose Mount Below)		\$2,072.00
400AI02	–	LiNX REM500 Bundled Input Control Module and 3.5" Touch LCD Display with 2 Stereo Jacks, 2 Buttons, Audible Cues and Bluetooth <i>(Bundled REM500 available w/ Switch-It Input Devices)</i>		NC

JOYSTICK / ELECTRONICS

OPTION	HCPC	TYPE	DESCRIPTION	RETAIL
Display Mount <i>If used w/ Standard Joystick, it must be mounted opposite side.</i>				\$
400DS14	E1028 E1032		Link-It with Parallel Swing-Away Mount w/Rear Mounted Interface, Right (OMNI2 or REM500)	\$578.00
400DS15	E1028 E1032		Link-It with Parallel Swing-Away Mount w/Rear Mounted Interface, Left (OMNI2 or REM500)	\$578.00

SPECIALTY INPUT DEVICES

OPTION	HCPC	DESCRIPTION	RETAIL
Hand Control Packages <i>Requires Standard Joystick Omit / Only one hand control device can be ordered.</i>			\$

Proportional Input Devices

400EU14	E2312	Switch-It MicroGuide	\$3,844.00
400EU17	E2328	Switch-It VersaGuide	\$2,118.00
400EU18	E2328	Switch-It VersaGuide EZ	\$2,502.00

Mounting Position (Required)

400EM04	–	Link-It to the Backrest <i>(Not Available w/ Omit Back Cushion Type)</i>	\$1,109.00
400EM05	–	Link-It to the Fixed Joystick Mount	\$345.00
400EM06	E1028 E1032	Link-It to the Parallel Swing-Away Joystick Mount	\$578.00
400EM07	E1028 E1032	Link-It to the Midline Swing-Away	\$1,225.00
400EM08	–	Omit Mount	NC

Mounting Platforms (Optional) *Not available w/ Link-It to Backrest*

400MG16	E0950	SunDisk Hand Tray <i>(Only available w/ MicroSeries Joysticks)</i>	\$345.00
400MG15	E0950	Bullet Hand Tray	\$345.00

Mounting Location (Required)

400IM09	–	Right	NC
400IM10	–	Left	NC

Switch Options

–	–	See Switch Selections <i>(Maximum 2)</i>	–
---	---	--	---

Head Control Packages *(Select headrest mount on next page)*

\$

*Only one head control device can be ordered.***Proportional Input Devices**

400EU25	E2328	Switch-It DualPro® Proportional Head Array - Facial Pads	\$6,668.00
400EU26	E2328	Switch-It DualPro® Proportional Head Array - Spot Pads	\$6,668.00
400EU51	E2328	Switch-It Vigo Head Drive	\$5,648.00

Switched Input Devices

400EU28	E2330	Switch-It 3-Switch Head Array - Short Curved Wings	\$5,127.00
400EU30	E2330	Switch-It 3-Switch Head Array - Long Curved Wings	\$5,127.00

Switch Options

–	–	See Switch Selections <i>(Maximum 2)</i>	–
---	---	--	---

SPECIALTY INPUT DEVICES

OPTION	HCPC	DESCRIPTION	RETAIL
Sip 'N Puff			\$
400ID73	E2330	Switch-It Sip 'N Puff Combo Head Array with Link-It Hardware <i>(Requires headrest mount)</i>	\$5,827.00
400ID74	K0108	Switch-It OptiStop with Sip 'N Puff	\$2,270.00
Headrest Mounts <i>(Applies to Head/Sip 'N Puff control packages)</i>			\$
400IJ13	E1028 E1033	Whitmyer® Linx Headrest Mount with Quick Release	\$192.00
400IJ14	E1028 E1033	Whitmyer® Linx-2 Headrest Mount with Quick Release	\$234.00
400IJ15	E1028 E1033	Whitmyer® AXYS Headrest Mount with Quick Release	\$123.00
Chin Control Packages			\$
Proportional Input Devices			
400EU34	E2312	Switch-It MicroGuide <i>(Switches mounted to the headrest only.)</i>	\$3,844.00
400EU36	E2328	Switch-It VersaGuide	\$2,118.00
400EU37	E2328	Switch-It VersaGuide EZ	\$2,502.00
Mounting Position			
400EM09	E1028 E1032	Link-It To Chin Harness, Small (150mm / 6")	\$1,459.00
400EM10	E1028 E1032	Link-It To Chin Harness, Large (220mm / 8")	\$1,459.00
400EM11	E1028 E1032	Link-It To Headrest, Swing-Away	\$1,459.00
400EM16	–	Omit Mount	NC
Input Device Mounting Location			
400IM13	–	Right	NC
400IM14	–	Left	NC
Switch Options			
–	–	See Switch Selections <i>(Minimum 1 for the Power Chin Boom, Maximum 3)</i>	–
Safety Devices			\$
400SA06	–	Switch-It Remote Stop Switch - XLR Connector <i>(Not available with LiNX Electronics)</i>	\$1,091.00
Switched Driving Packages			\$
400SW44	E2328	Switch-It™ Cool Cube with DB9 connector for proximity/proportional switch driving. <i>(Pro Spot proportional switches are required if proportional driving is desired.) (For non-proportional driving, single switches can be used.)</i>	\$4,048.00

SPECIALTY INPUT DEVICES

Switches

Single switches can be programmed to activate any function of the wheelchair including: On/Off, Mode, Profile, Speeds, Seating, Memory Positions, Horn, Lights & Indicators, IR functions, Bluetooth mouse clicks, Environmental Controls when plugged into assignable port.

Switches can connect via: Joysticks (Standard, Micro series, Versa series) Omni2, IN200, IN500, head controls

Switch ordering instructions:

1. Select switch type and quantity in Section "A" using columns below. (Max 2 switches. See limitations below.)
2. Select switch mounting position from Section "B" using corresponding switch column.
3. Select switch mounting location from Section "C" using corresponding switch column.

Section A – Switch Selections

Switch / Quantity

Single Function Switches - Mechanical Switches	Switch 1	\$	Switch 2	\$
2.5" Single Switch - Black	400IR31	\$227.00	400IR56	\$227.00
2.5" Single Switch - Blue	400IR32	\$227.00	400IR57	\$227.00
2.5" Single Switch - Green	400IR33	\$227.00	400IR58	\$227.00
2.5" Single Switch - Red	400IR34	\$227.00	400IR59	\$227.00
2.5" Single Switch - Yellow	400IR35	\$227.00	400IR60	\$227.00
Egg Switch - Black	400IR36	\$129.00	400IR61	\$129.00
Egg Switch - Blue	400IR37	\$129.00	400IR62	\$129.00
Egg Switch - Green	400IR38	\$129.00	400IR63	\$129.00
Egg Switch - Red	400IR39	\$129.00	400IR64	\$129.00
Egg Switch - Yellow	400IR40	\$129.00	400IR65	\$129.00
MicroLite <i>(Includes color labels)</i>	400IR41	\$192.00	400IR66	\$192.00
Mini Button 1 - Blue <i>(Velcro)</i>	400IR42	\$123.00	400IR67	\$123.00
Mini Button 1 - Green <i>(Velcro)</i>	400IR43	\$123.00	400IR68	\$123.00
Mini Button 1 - Red <i>(Velcro)</i>	400IR44	\$123.00	400IR69	\$123.00
1" Single Switch - Black	400IR45	\$321.00	400IR70	\$321.00
1" Single Switch - Blue	400IR46	\$321.00	400IR71	\$321.00
1" Single Switch - Green	400IR47	\$321.00	400IR72	\$321.00
1" Single Switch - Orange	400IR48	\$321.00	400IR73	\$321.00
1" Single Switch - Red	400IR49	\$321.00	400IR74	\$321.00
1" Single Switch - Yellow	400IR50	\$321.00	400IR75	\$321.00
Electronic Switches				
Flex Switch (Headrest mount only)	400IR54	\$250.00	400IR79	\$250.00
ProSpot - Proportional Switches				
ProSpot Proportional Switch - Red	400IR181	\$554.00	400IR186	\$554.00
ProSpot Proportional Switch - Green	400IR182	\$554.00	400IR187	\$554.00
ProSpot Proportional Switch - Blue	400IR183	\$554.00	400IR188	\$554.00
ProSpot Proportional Switch - Yellow	400IR184	\$554.00	400IR189	\$554.00
ProSpot Proportional Switch - Orange	400IR185	\$554.00	400IR190	\$554.00
Section B – Switch Mounting Position				
Link-It to the Backrest <i>(Up to 1 per side)</i>	400EM17	\$759.00	400EM23	\$759.00
Link-It to the Headrest - Gooseneck <i>(Up to 2 per side)</i>	400EM18	\$759.00	400EM24	\$759.00
Link-It to the Fixed Joystick Mount <i>(Up to 2 per side)</i>	400EM19	\$578.00	400EM25	\$578.00
Link-It to the Parallel Swing-Away Joystick Mount <i>(Up to 2 per side)</i>	400EM20	\$578.00	400EM26	\$578.00
Link-It to the Seat Rail <i>(Up to 2 per side)</i> <i>(Not avail w/knee & thigh supports)</i>	400EM21	\$460.00	400EM27	\$460.00
Omit Mount <i>(includes Velcro)</i>	400EM22	NC	400EM28	NC
Section C – Switch Mounting Location				
Right side of chair	400IM17	NC	400IM19	NC
Left side of chair	400IM18	NC	400IM20	NC
Joystick Integrated Switches (Pair)				
400J003	–	Proximity Switches on Flex Mount, Pair <i>(Used with VersaGuide/VersaGuide EZ)</i>		\$1,161.00

JAY® SYNCRA™ SEATING MEASURING GUIDE

JAY® SYNCRA™ BACK



Backrest Width	16"	18"	20"	22"
Max User Trunk Width	13.5"	15.5"	17.5"	19.5"

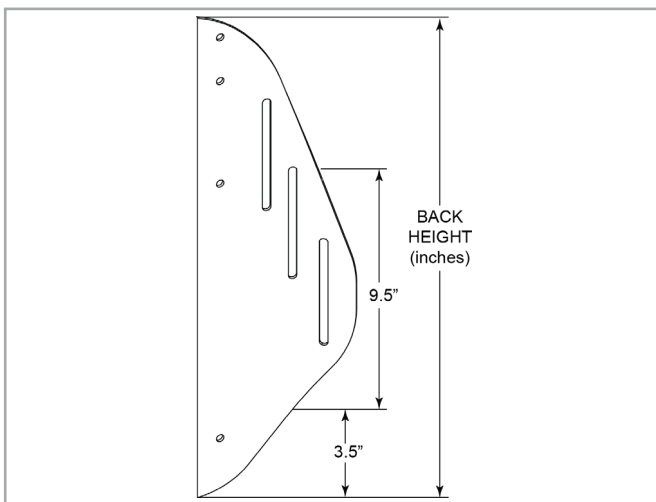
JAY® Swing-Away Lateral Thoracic Adjustment Range

Syncra Back Width	Width Range	Height range from bottom of shell to seat pan
16"	10" to 24"	12" to 19.5"
18"	12" to 26"	12.5" to 21.5"
20"	14" to 28"	12.5" to 22"
22"	16" to 30"	13.5" to 23"

Syncra™ Fixed Lateral Support Accessory Range

Syncra Back Width	Width Range	Height range from bottom of shell to seat pan	Contour Depth Range
16"	16.4" to 16.8"	6" to 8"	3" to 5"
18"	18.4" to 18.8"	6" to 8"	3" to 5"
20"	20.4" to 20.8"	6" to 8"	3" to 5"
22"	22.4" to 22.8"	6" to 8"	3" to 5"

Syncra™ Back Shell Height Diagram



JAY® SYNCRA™ CUSHION



JAY® Lateral Thigh Support Adjustment Range

Syncra Cushion Width	Width Range
16"	8.5" to 16.0"
17"	9.5" to 17.0"
18"	10.5" to 18.0"
19"	11.5" to 19.0"
20"	12.5" to 20.0"
22"	14.5" to 22.0"



Q300 M with SEDEO® PRO™

\$

Base Price	
Total of additional equipment	
Packaging and transport	
Total Price	

Signature