



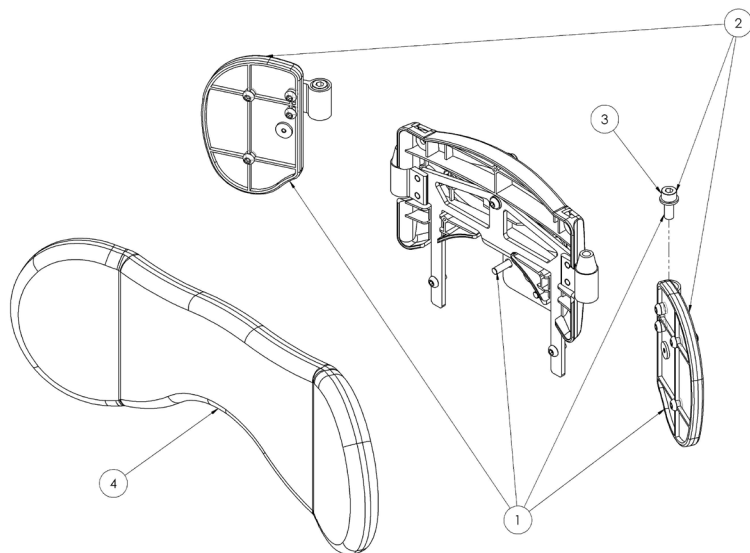
Mygo Seat

Spare Parts Catalogue



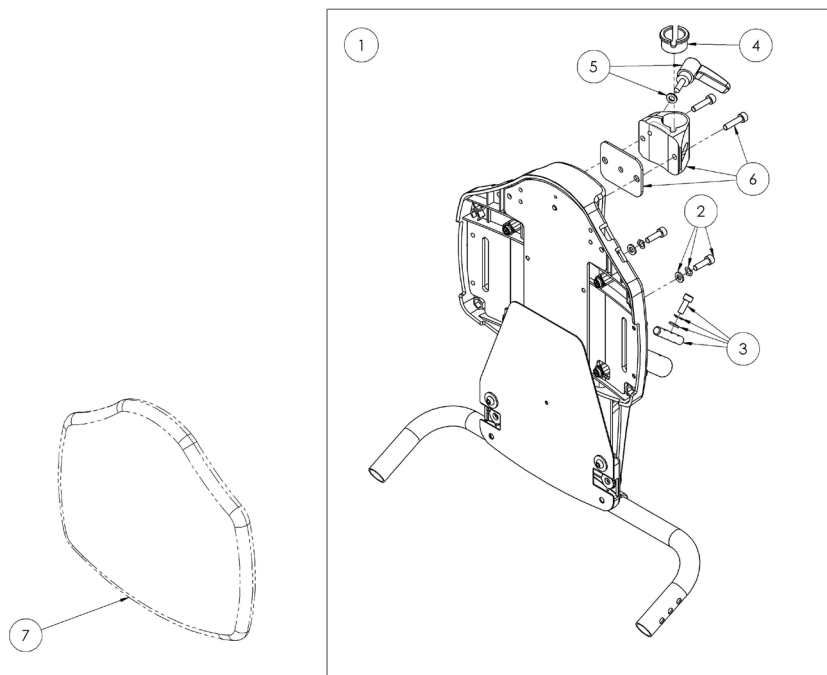
Supporting
Children

Mygo Seat Spare Parts - Shoulder Support



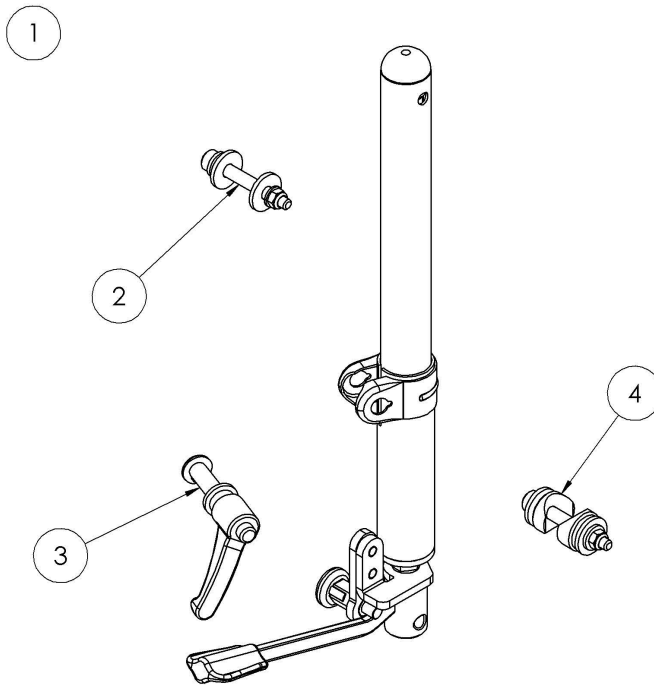
Pos.	Leckey Sales Code	Description	Compatible with		
			Size 1	Size 2	Size 3
[Replace XX with colour]			Size 1	Size 2	Size 3
1	137-621	Shoulder Support Hardware	●	●	●
2	137-624	Shoulder Wing Assembly [Pair]	●	●	●
3	SP-1016	Taperlock Adjustment Screw [Pair]	●	●	●
4	137-801-XX	Shoulder Cushion	●	●	●

Mygo Seat Spare Parts - Backrest



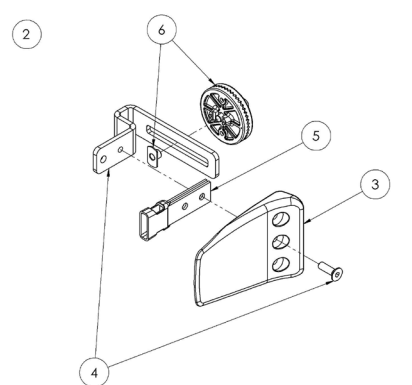
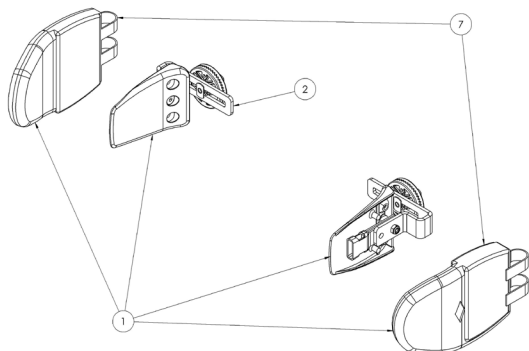
Pos.	Leckey Sales Code	Description	Compatible with		
			Size 1	Size 2	Size 3
[Replace XX with colour]					
1	117-670	Backrest Assembly [Size 1]	●		
1	137-670	Backrest Assembly [Size 2]		●	
1	185-605	Backrest Assembly [Size 3]			●
2	SP-1001	Sliding Backrest Attachment Kit	●	●	●
3	137-9015	Backrest Adjustment Kit	●	●	●
4	118-166	Head Support Collar	●	●	●
5	SP-1000	Head Support Adjustment Kit	●	●	●
6	117-9016	Head Support Mtg Assembly [Size 1]	●		
6	137-9016	Head Support Mtg Assembly [Size 2/3]		●	●
7	137-802-XX	Backrest Cushion	●	●	●

Mygo Seat Spare Parts - Dynamic Backrest



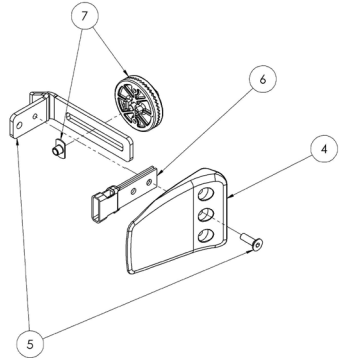
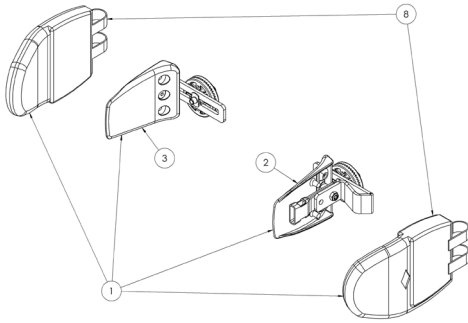
Pos.	Leckey Sales Code	Description	Compatible with		
			Size 1	Size 2	Size 3
1	137-661	Dynamic Backrest Assy (100N Gas Spring)	●	●	●
1	137-662	Dynamic Backrest Assy (150N Gas Spring)	●	●	●
2	SP-1060	Dynamic Backrest Assy Attachment Kit	●	●	●
3	SP-1061	Dynamic Backrest Adjustment Kit	●	●	●
4	SP-1004	Back Angle Attachment Kit	●	●	●

Mygo Seat Spare Parts - Rigid Laterals



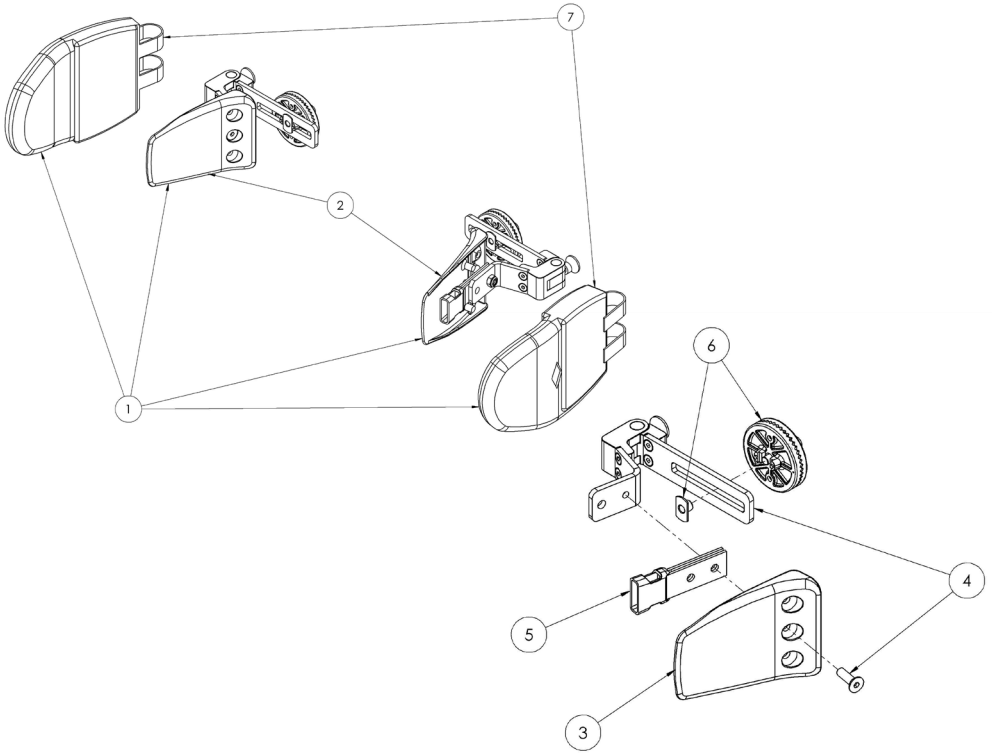
Pos.	Leckey Sales Code	Description	Compatible with		
			Size 1	Size 2	Size 3
1	117-803	Rigid Laterals & Covers - Black [Pair]	●	●	●
1	137-205	Rigid Laterals & Covers [No Buckle] - Black [Pair]	●	●	●
1	185-608	Rigid Laterals & Covers [Size 3] - Black [Pair]			●
2	117-764	Lateral Support [Single]	●	●	●
2	137-206	Lateral Support [No Buckle] [Single]	●	●	●
2	185-606	LH Lateral Support [Size 3] [Single]			●
2	185-607	RH Lateral Support [Size 3] [Single]			●
3	117-176	Lateral [Single]	●	●	●
4	117-9003	Lateral Bracket & Screw Kit [Single]	●	●	●
4	185-614	LH Lateral Bracket & Screw Kit [Size 3] [Single]			●
4	185-615	RH Lateral Bracket & Screw Kit [Size 3] [Single]			●
5	117-700	Harness Buckle Attachment [Single]	●	●	●
6	120-9027	Angle Lock Assembly [Single]	●	●	●
7	137-806-05	Lateral Covers - Black [Pair]	●	●	●

Mygo Seat Spare Parts - Rigid Laterals Extended Height



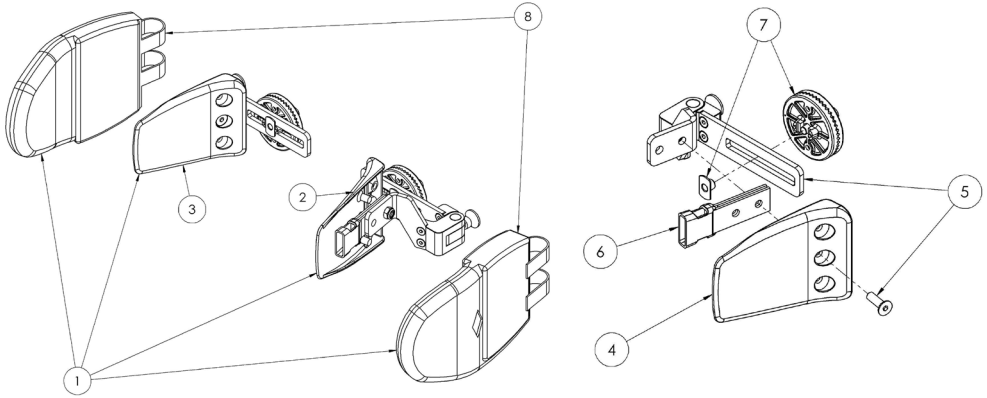
Pos.	Leckey Sales Code	Description	Colour Options		Compatible with		
			Black	Black Vinyl	Size 1	Size 2	Size 3
1	137-633	Rigid Laterals Extended Height 50mm & Covers [Pair]	[No Extension Req.]	-05VIN	●	●	●
1	137-207	Rigid Laterals Extended Height 50mm & Covers [No Buckle] [Pair]	[No Extension Req.]	-05VIN	●	●	●
1	137-193	Rigid Laterals Extended Height 100mm & Covers [Pair]	[No Extension Req.]	-05VIN	●	●	●
1	185-633	Rigid Laterals Extended Height & Covers - Mygo 3 [Pair]	[No Extension Req.]	-05VIN		●	●
2	137-625	LH Lateral Support 50mm [Single]			●	●	●
2	137-208	LH Lateral Support 50mm [No Buckle] [Single]			●	●	●
2	137-622	LH Lateral Support 100mm [Single]			●	●	●
2	185-606	LH Lateral Support - Mygo 3 [Single]					●
3	137-626	RH Lateral Support 50mm [Single]			●	●	●
3	137-209	RH Lateral Support 50mm [No Buckle] [Single]			●	●	●
3	137-623	RH Lateral Support 100mm [Single]			●	●	●
3	185-607	RH Lateral Support - Mygo 3 [Single]					●
4	117-176	Lateral [Single]			●	●	●
5	137-9018	Lateral Bracket 50mm & Screw Kit LH [Single]			●	●	●
5	137-9019	Lateral Bracket 50mm & Screw Kit RH [Single]			●	●	●
5	137-9007	Lateral Bracket 100mm & Screw Kit LH [Single]			●	●	●
5	137-9008	Lateral Bracket 100mm & Screw Kit RH [Single]			●	●	●
5	185-614	Lateral Bracket & Screw Kit LH - Mygo 3 [Single]			●	●	●
5	185-615	Lateral Bracket & Screw Kit RH - Mygo 3 [Single]			●	●	●
6	117-700	Harness Buckle Attachment [Single]			●	●	●
7	120-9027	Angle Lock Assembly [Single]			●	●	●
8	137-806-XX	Lateral Covers [Pair]	-05	-05VIN	●	●	●

Mygo Seat Spare Parts - Flipaway Laterals & Covers



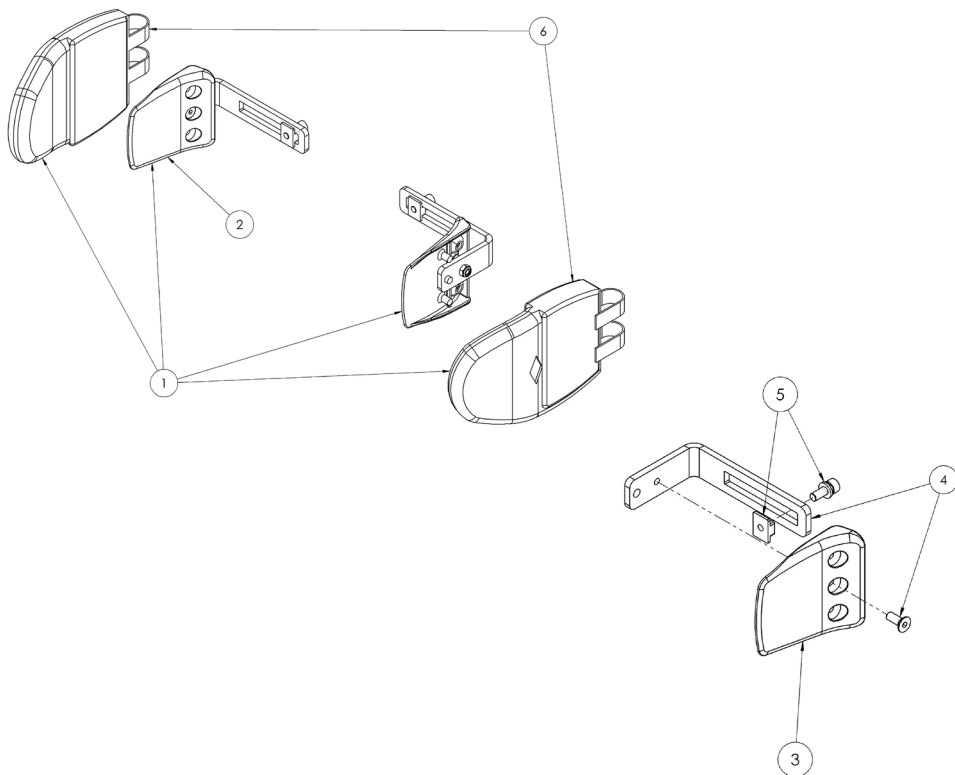
Pos.	Leckey Sales Code	Description	Compatible with		
			Size 1	Size 2	Size 3
1	117-837	Flip Away Laterals & Covers - Black [Pair]	●	●	●
1	137-200	Flip Away Laterals & Covers (No buckle) - Black [Pair]	●	●	●
2	117-825	Flip Away Laterals Support [Pair]	●	●	●
2	137-201	Flip Away Laterals Support (No buckle) [Pair]	●	●	●
3	117-176	Lateral [Single]	●	●	●
4	117-9006	Lateral Bracket & Screw Kit [Single]	●	●	●
5	117-700	Harness Buckle Attachment [Single]	●	●	●
6	120-9027	Angle Lock Assembly [Single]	●	●	●
7	137-806-05	Lateral Covers - Black [Pair]	●	●	●

Mygo Seat Spare Parts - Flipaway Laterals Extended Height



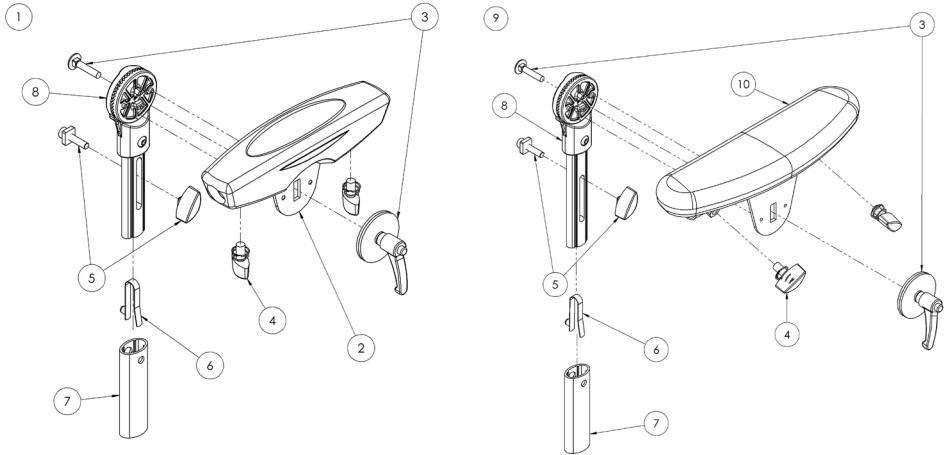
Pos.	Leckey Sales Code	Description	Compatible with		
			Size 1	Size 2	Size 3
1	137-634	Flipaway Lateral Extended Height & Covers - Black [Pair]	●	●	●
1	137-202	Flipaway Lateral Extended Height & Covers (No buckle) - Black [Pair]	●	●	●
2	137-627	LH Flipaway Lateral Support [Single]	●	●	●
2	137-203	LH Flipaway Lateral Support (No Buckle) [Single]	●	●	●
3	137-628	RH Flipaway Lateral Support [Single]	●	●	●
3	137-204	RH Flipaway Lateral Support (No Buckle) [Single]	●	●	●
4	117-176	Lateral	●	●	●
5	137-9007	Lateral Bracket & Screw Kit LH	●	●	●
5	137-9008	Lateral Bracket & Screw Kit RH	●	●	●
6	117-700	Harness Buckle Attachment	●	●	●
7	120-9027	Angle Lock Assembly	●	●	●
8	137-806-05	Lateral Covers - Black [Pair]	●	●	●

Mygo Seat Spare Parts - Hip Laterals



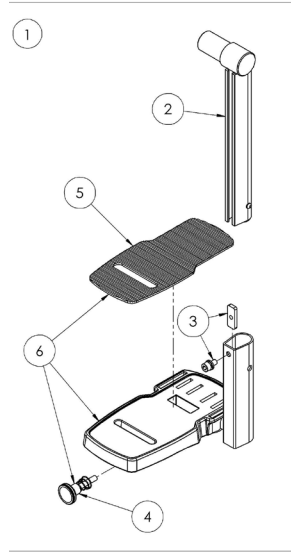
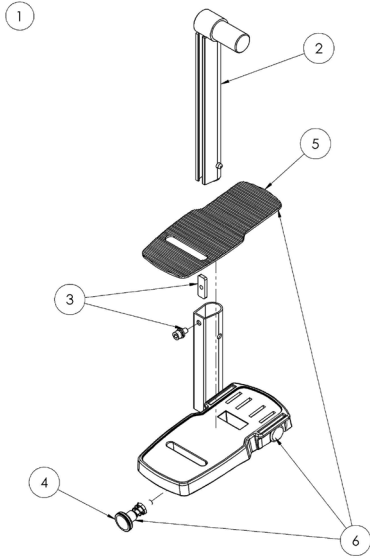
Pos.	Leckey Sales Code	Description	Compatible with		
			Size 1	Size 2	Size 3
[Replace XX with colour]					
1	137-632	Hip Laterals & Covers [Pair]	●	●	●
2	137-631	Hip Lateral Support [Single]	●	●	●
3	118-049	Lateral [Single]	●	●	●
4	137-9020	Lateral Bracket & Screw Kit [Single]	●	●	●
5	SP-1003	Hip Lateral Locking Kit [Single]	●	●	●
6	137-807-XX	Headrest / Hip Lateral Covers [Pair]	●	●	●

Mygo Seat Spare Parts - Armrest



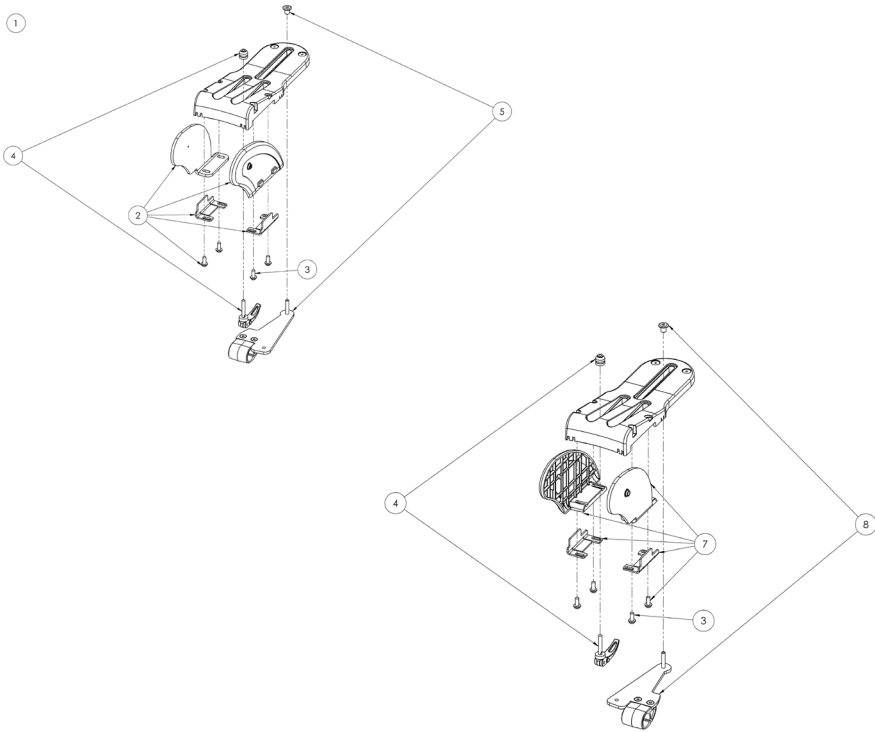
Pos.	Leckey Sales Code	Description	Compatible with		
			Size 1	Size 2	Size 3
1	117-9004	Armrest Assembly (Size 1) [Single]	●		
1	137-9017	Armrest Assembly (Size 2) [Single]		●	
2	117-715	Armrest Moulded Assembly	●	●	●
3	137-9011	Armrest Adjustment Kit	●	●	●
4	137-9013	Armrest Locking Kit	●	●	●
5	137-9012	Armrest Outer Adjustment Assembly	●	●	●
6	SJ109	1/4 Single Popper [Pair]	●	●	●
7	117-145	Armrest Outer Extrusion [Single]	●	●	●
8	117-9005	Armrest Adjuster (Size 1) [Single]	●		
8	137-9014	Armrest Adjuster (Size 2/3) [Single]		●	●
9	185-603	Armrest Assembly (Size 3) [Single]			●
10	185-609	Armrest (Size 3) [Single]			●

Mygo Seat Spare Parts - Footrest



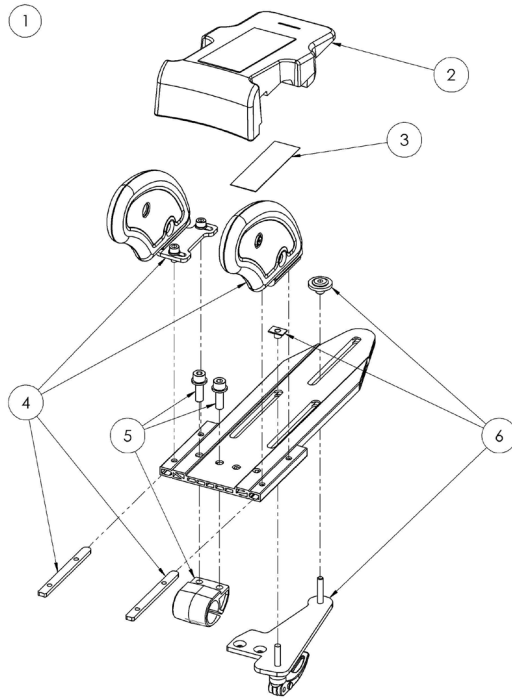
Pos.	Leckey Sales Code	Description	Compatible with		
			Size 1	Size 2	Size 3
1	117-695	Footplate Assembly LH (Size 1)	●		
1	137-641	Footplate Assembly LH (Size 2/3)		●	●
1	117-696	Footplate Assembly RH (Size 1)	●		
1	137-640	Footplate Assembly RH (Size 2/3)		●	●
2	117-703	Calf Inner Support Assembly LH	●	●	●
2	117-704	Calf Inner Support Assembly RH	●	●	●
3	137-9005	Footplate Locking Assembly	●	●	●
4	137-9006	Footplate Adjuster Assembly	●	●	●
5	117-156	Footplate Rubber Matting	●	●	●
6	117-9008	Footplate Assembly LH (Size 1)	●		
6	137-9022	Footplate Assembly LH (Size 2/3)		●	●
6	117-9009	Footplate Assembly RH (Size 1)	●		
6	137-9021	Footplate Assembly RH (Size 2/3)		●	●

Mygo Seat Spare Parts - (Size 1) Abduction Assembly



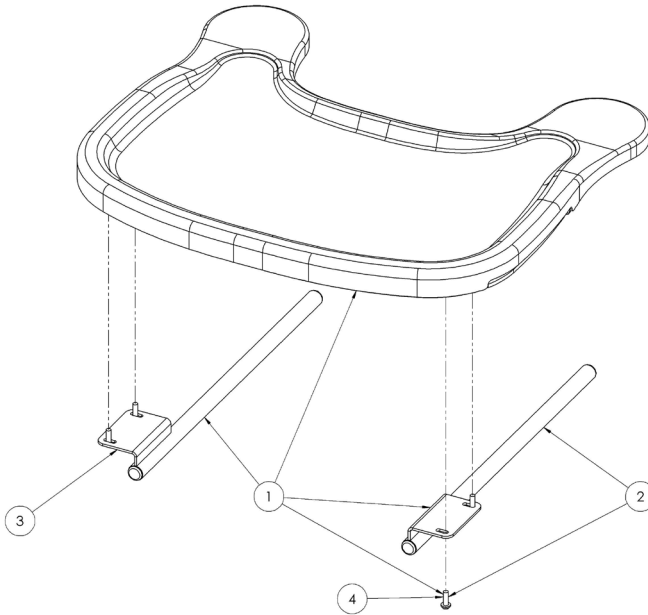
Pos.	Leckey Sales Code	Description	Compatible with		
			Size 1	Size 2	Size 3
1	117-694	Abduction Assembly LH (Size 1)	●		
1	117-693	Abduction Assembly RH (Size 1)	●		
2	117-705	LH Femoral Guards Assembly	●		
3	SP-1011	Femoral Guide Attachment Kit (Size 1)	●		
4	SP-1010	Abduction Assembly Adjuster Kit (Size 1)	●		
5	117-707	LH Abduction Seat Base Attachment (Size 1)	●		
6	117-693	Abduction Assembly RH (Size 1)	●		
7	117-708	RH Femoral Guards Assembly	●		
8	117-710	RH Abduction Seat Base Attachment (Size 1)	●		

Mygo Seat Spare Parts - (Size 2/3) Abduction Assembly



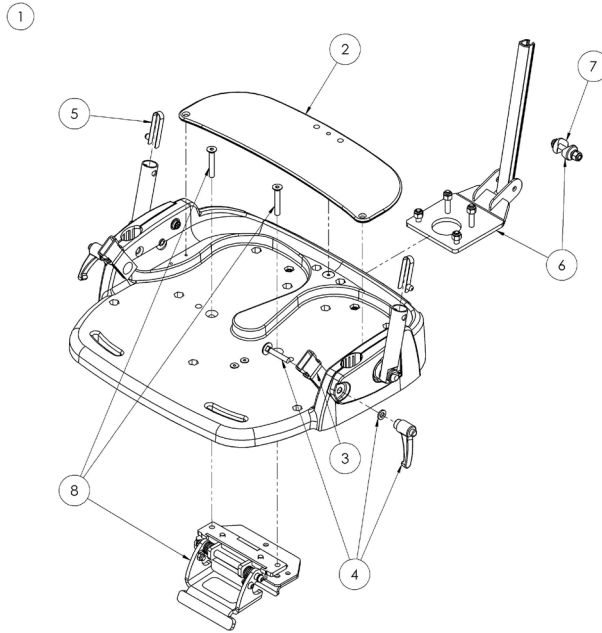
Pos.	Leckey Sales Code	Description	Compatible with		
			Size 1	Size 2	Size 3
1	137-602	Abduction Assembly LH (Size 2/3)		●	●
1	137-601	Abduction Assembly RH (Size 2/3)		●	●
2	137-101	Ramp		●	●
3	137-9009	Ramp Attachment Velcro Kit		●	●
4	137-612	Femoral Guards Assembly [Pair]		●	●
5	137-613	Calf Casting Assembly		●	●
6	137-614	LH Abduction Assembly Kit		●	●
6	137-615	RH Abduction Assembly Kit		●	●

Mygo Seat Spare Parts - Tray Assembly



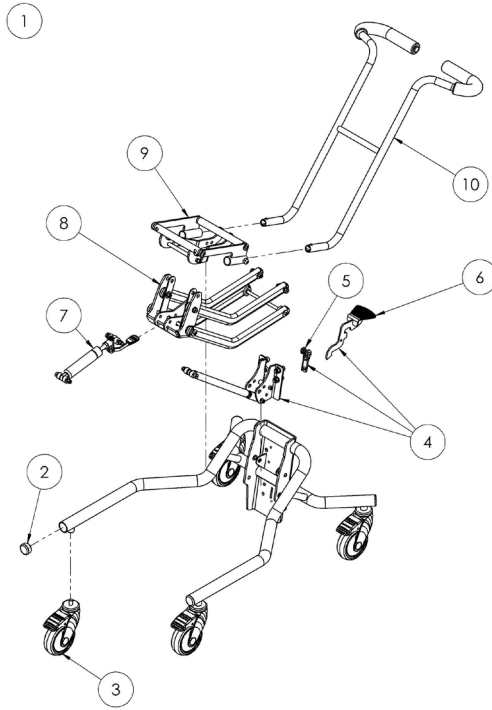
Pos.	Leckey Sales Code	Description	Compatible with		
			Size 1	Size 2	Size 3
1	117-646	Tray Assembly - Black	●	●	
1	185-611	Tray Assembly (Size 3)			●
1	117-647	Tray Assembly - Black (Size 3)			●
1	117-652	Padded Tray Assembly - Black	●	●	
2	117-723	Tray Bar Assembly LH	●	●	
2	185-616	Tray Bar Assembly LH (Size 3)			●
3	117-722	Tray Bar Assembly RH	●	●	
3	185-617	Tray Bar Assembly RH (Size 3)			●
4	SP-1021	Tray Bar Screw Kit	●	●	●

Mygo Seat Spare Parts - Seatbase Assembly



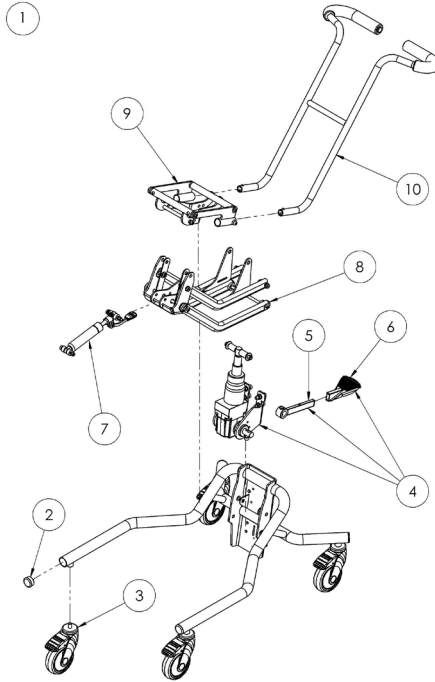
Pos.	Leckey Sales Code	Description	Compatible with		
			Size 1	Size 2	Size 3
1	137-713	Seatbase Assembly (Size 1/2)	●	●	
1	185-713	Seatbase Assembly (Size 3)			●
2	137-121	Seatbase ABS Shelf (Size 1)	●		
2	137-120	Seatbase ABS Shelf (Size 2)		●	
2	185-112	Seatbase ABS Shelf (Size 3)			●
3	117-749	Pelvic Harness Strap	●	●	●
4	SP-9005	Harness Attachment Kit [Single]	●	●	●
5	SJ109	1/4 Single Popper Kit [Pair]	●	●	●
6	137-716	Back Angle Assembly			
7	SP-1004	Back Angle Attachment Kit	●	●	●
8	137-720	Interface Assembly	●	●	●

Mygo Seat Spare Parts - Indoor Hi-Low Chassis - Footpedal



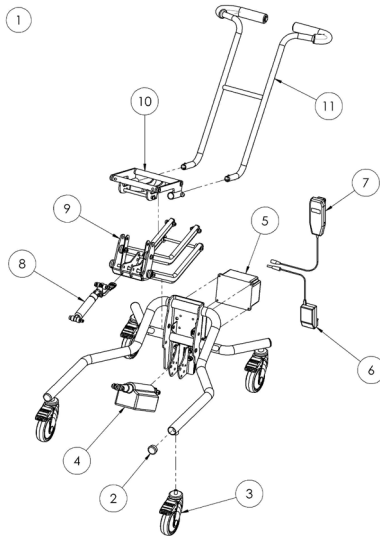
Pos.	Leckey Sales Code	Description	Compatible with		
			Size 1	Size 2	Size 3
1	102-2753	Indoor Chassis Foot Operated - Manual	●	●	●
2	SH62	1 1/4" Round Black Insert [4 Pack]	●	●	●
3	IA13	Castor [Single]	●	●	●
4	117-938	Chassis Gas Spring - Lift	●	●	●
5	102-1761	Locking Pin Assy	●	●	●
6	102-2692	Long Foot Pedal	●	●	●
7	117-937	Interface Arm Lever - Tilt	●	●	●
8	117-651	Lever Arm Assembly	●	●	●
9	117-7331	Hi-Low Interface Assembly	●	●	●
10	122-710	Removable Handlebar	●	●	●

Mygo Seat Spare Parts - Indoor Hi-Low Chassis - Hydraulic



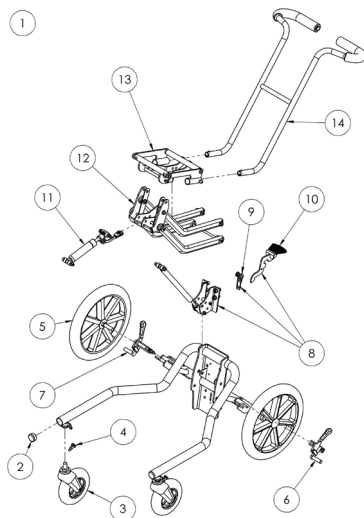
Pos.	Leckey Sales Code	Description	Compatible with		
			Size 1	Size 2	Size 3
1	102-2766	Indoor Chassis Foot Operated - Hydraulic	●	●	●
2	SH62	1 1/4" Round Black Insert [4 Pack]	●	●	●
3	IA13	Castors [Single]	●	●	●
4	117-823	Chassis Hydraulic Pack - Lift	●	●	●
5	117-948	Inner Pedal Assy	●	●	●
6	117-947	Outer Sliding Pedal	●	●	●
7	117-937	Interface Arm Lever - Tilt	●	●	●
8	117-936	Lever Arm Assembly	●	●	●
9	117-7331	Hi-Low Interface Assembly	●	●	●
10	122-710	Removable Handlebar	●	●	●

Mygo Seat Spare Parts - Indoor Hi-Low Chassis - Powered



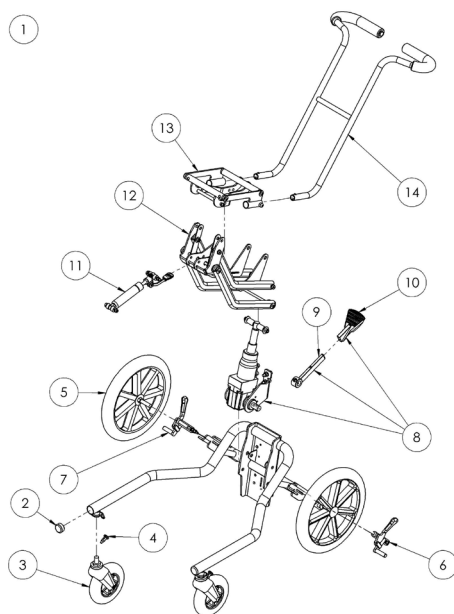
Pos.	Leckey Sales Code	Description	Compatible with		
			Size 1	Size 2	Size 3
1	102-2754	Indoor Chassis - Powered	●	●	●
2	SH62	1 1/4" Round Black Insert [4 Pack]	●	●	●
3	IA13	Castor [Single]	●	●	●
4	102-1694	Actuator	●	●	●
5	SI64	Battery	●	●	●
6	SI124	Charger - UK	●	●	●
6	SI125	Charger - EUR	●	●	●
6	SI126	Charger - USA/Japan	●	●	●
6	SI127	Charger - AUS	●	●	●
7	SI67	Handset	●	●	●
8	117-937	Interface Arm Lever - Tilt	●	●	●
9	117-651	Lever Arm Assembly	●	●	●
10	117-7331	Hi-Low Interface Assembly	●	●	●
11	122-710	Removable Handlebar	●	●	●

Mygo Seat Spare Parts - Indoor/Outdoor Hi-Low Chassis - Manual (Gas)



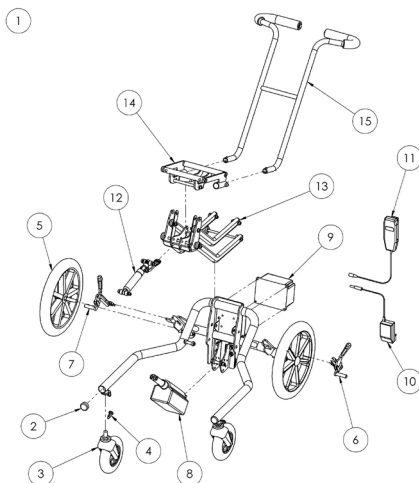
Pos.	Leckey Sales Code	Description	Compatible with		
			Size 1	Size 2	Size 3
1	102-2767	Indoor/Outdoor Chassis Foot Operated - Gas	●	●	●
2	SH62	1 1/4" Round Black Insert [4 Pack]	●	●	●
3	133-2084	150mm Front Castor [Single]	●	●	●
4	IA19	Lock Pin [Single]	●	●	●
5	133-2087	315mm Rear Wheel [Single]	●	●	●
6	133-2085	LH Brake Assy	●	●	●
7	133-2086	RH Brake Assy	●	●	●
8	117-938	Chassis Gas Spring - Lift	●	●	●
9	102-1761	Locking Pin Assy	●	●	●
10	102-2692	Long Foot Pedal	●	●	●
11	117-937	Interface Arm Lever - Tilt	●	●	●
12	117-651	Lever Arm Assembly	●	●	●
13	117-7331	Hi-Low Interface Assembly	●	●	●
14	122-710	Removable Handlebar	●	●	●

Mygo Seat Spare Parts - Indoor/Outdoor Hi-Low Chassis - Hydraulic



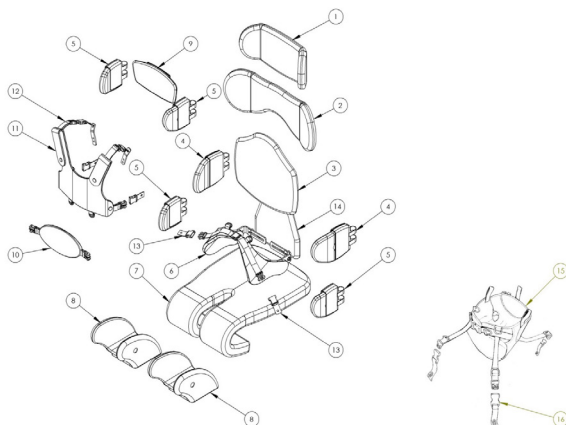
Pos.	Leckey Sales Code	Description	Compatible with		
			Size 1	Size 2	Size 3
1	102-2768	Indoor/Outdoor Chassis Foot Operated - Hydraulic	●	●	●
2	SH62	1 1/4" Round Black Insert [4 Pack]	●	●	●
3	133-2084	150mm Front Castor [Single]	●	●	●
4	IA19	Lock Pin [Single]	●	●	●
5	133-2087	315mm Rear Wheel [Single]	●	●	●
6	133-2085	LH Brake Assy	●	●	●
7	133-2086	RH Brake Assy	●	●	●
8	117-823	Chassis Hydraulic Pack - Lift	●	●	●
9	117-948	Inner Pedal Assy	●	●	●
10	117-947	Outer Sliding Pedal	●	●	●
11	117-937	Interface Arm Lever - Tilt	●	●	●
12	117-936	Lever Arm Assembly	●	●	●
13	117-7331	Hi-Low Interface Assembly	●	●	●
14	122-710	Removable Handlebar	●	●	●

Mygo Seat Spare Parts - Indoor/Outdoor Hi-Low Chassis - Powered



Pos.	Leckey Sales Code	Description	Compatible with		
			Size 1	Size 2	Size 3
1	102-2769	Indoor/Outdoor Hi-Low Chassis - Powered	●	●	●
2	SH62	1 1/4" Round Black Insert [4 Pack]	●	●	●
3	133-2084	150mm Front Castor [Single]	●	●	●
4	IA19	Lock Pin [Single]	●	●	●
5	133-2087	315mm Rear Wheel [Single]	●	●	●
6	133-2085	LH Brake Assy	●	●	●
7	133-2086	RH Brake Assy	●	●	●
8	102-1694	Actuator	●	●	●
9	SI64	Battery	●	●	●
10	SI124	Charger - UK	●	●	●
10	SI125	Charger - EUR	●	●	●
10	SI126	Charger - USA/Japan	●	●	●
10	SI127	Charger - AUS	●	●	●
11	SI67	Handset	●	●	●
12	117-937	Interface Arm Lever - Tilt	●	●	●
13	117-651	Lever Arm Assembly	●	●	●
14	117-633	Hi-Low Interface Assembly	●	●	●
15	122-710	Removable Handlebar	●	●	●

Mygo Seat Spare Parts - Upholstery



Pos.	Lecley Sales Code	Description	Compatible with		
			Size 1	Size 2	Size 3
[Replace XX with colour]					
1	137-800-XX	Contoured Headrest Cushion	●	●	●
2	137-801-XX	Shoulder Cushion - [Size 2/3 only]		●	●
3	137-802-XX	Backrest Cushion	●	●	
4	137-806-XX	Lateral Covers [Pair]	●	●	●
5	137-807-XX	Head/Hip Lateral Covers [Pair]	●	●	●
6	117-801	Pelvic Harness Small with Hip Brackets	●	●	●
6	117-802	Pelvic Harness Medium with Hip Brackets	●	●	●
7	117-852-XX	Seatbase Cushion - [Size 1 only]	●		
7	137-804-XX	Seatbase Cushion - [Size 2 only]		●	
7	185-814-XX	Seatbase Cushion - [Size 3 only]			●
8	117-844-XX	Femoral Guide Covers [Pair]	●		
9	117-850-XX	Flat Headrest Cushion	●	●	●
10	137-808	Chest Harness	●	●	●
11	120-779	Trunk Harness - Small [Size 1 only]	●		
11	120-757	Trunk Harness - Medium	●	●	●
11	117-761	Trunk Harness - Large [Size 2/3 only]		●	●
12	120-9029	Trunk Harness Attachment Kit	●	●	●
13	117-749	Pelvic Harness Attachment Kit	●	●	●
14	137-803-XX	Sacral Cushion	●	●	
14	185-803-XX	Sacral Cushion [Size 3 only]			●
15	133-728	Pelvic Cradle	●	●	●
16	133-733	Pelvic Cradle Attachment Kit	●	●	●

Mygo Seat Spare Parts

Where XX is in sales code, please replace with the following depending on fabric choice:

Replace XX With Fabric Colour

06	Grey Bubbles
07	Orange Bubbles
08	Blue Bubbles
09	Pink Bubbles
10	Black Vinyl
11	Teal
12	Blue
13	Red
05	Black (accessories)
05VIN	Black Vinyl (accessories)



Leckey
19c Ballinderry Road
Lisburn BT28 2SA
Northern Ireland

{+44} 28 9260 0750
hello@leckey.com

LS836-01

leckey.com

