

FIT COMES FIRST



Your favorite wheelchair back—now in over 130 PD configurations!

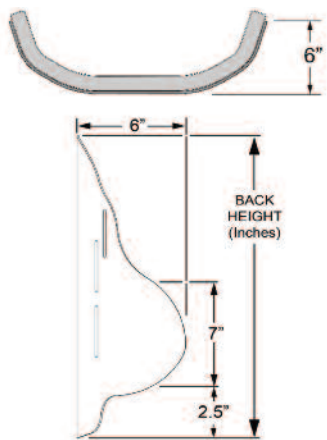
More Sizes. More Styles. More backs for the perfect fit.



J3® Posterior Deep (PD) Back

Your favorite back can now fit more clients.

The 6" deep PD backrest provides midline postural support and positioning while the curved 7" tall built-in contoured laterals offer exceptional thoracic stability. Achieve optimal back placement with diverse J3 back hardware options. Easy-to-order customized options, such as multi-colored shells and covers, available via JAY Your Way.



		WIDTH				
		12"	14"	16"	18"	20"
LT	S 6.5"					
	M 8"					
	T 9.5"					
MT	S 12"					
	M 13.5"					
	T 15"					
UT	S 16.5"					
	M 18"					
	T 19.5"					
SH	S 21"					
	M 22.5"					
	T 24"					

JAY TECHNOLOGY IN THE J3 BACK



Specifications:

HCPCS Code E2620

Available Heights
LT, MT, UT and SH
(8" to 24" tall)

Widths
12" to 20"

Cover Material
3DX™ Spacer Fabric
and Lycra® stretch

Hardware Options

SH
Contact: 2-point
Angle: +/- 20°
Width: 2"
Depth: 2.25"
Weight Capacity: 300 lbs

TH
Contact: 2-point
Angle: +/- 20°
Width: 2"
Depth: 2.25"
Weight Capacity: 300 lbs

RH
Contact: 2-point
Angle: +/- 10°
Width: 2"
Depth: 1.75"
Weight Capacity: 300 lbs

FS
Contact: 4-point
Angle: +/- 10°
Width: 2"
Depth: 1.38"
Weight Capacity: 500 lbs