

Design Template

OCTANE **SUB4**



Rider Information

Name: _____

Phone: _____

Email: _____

Height: _____ **Weight:** _____

Current Chair: _____ **Current Cushion:** _____

Ability/Diagnosis: _____

RGK Contact Authorization:

RGK would like to send you exclusive information, news and promotional offers on RGK.

I would like to be contacted by RGK:

Signature: _____ **Date:** _____

*We do not pass your personal information onto any third party.

Account Information

Account Name : _____

Account #: _____ **PO#:** _____

Contact Name : _____

Phone: _____

Email: _____

Ship to:	Account	Rider
-----------------	----------------	--------------

Name: _____		
--------------------	--	--

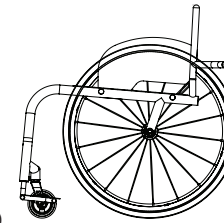
Address: _____		
-----------------------	--	--

-------	--	--

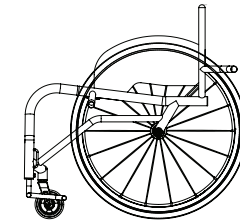
RGK Genius: _____		
--------------------------	--	--

Frame Styles

XZ010	Octane Sub4 (Max User Weight 110kg/242lbs. HCPCS Coded K0005)
XA070	Open design
XA080	Ⓜ Dual-Tube design
XW009	Quote Only (No CAD for Approval)
XW011	Order Only (No CAD for Approval)
XW012	Quote CAD drawing for approval
XW010	Order CAD drawing for approval (1st CAD is NCO. Additional CADs XW010-A \$100)
CAD approved by: Customer RGK Genius	



Open Design



Dual-Tube Design

\$9,355
STD
NCO
STD
STD
\$442
NCO

Measurements

Please Note: All RGK chairs are hand built and have a manufacturing tolerance of +/- 5mm (.25). All measurements can be done in 5mm (.25") increments.

Please select either Millimeters or Inches.

Measurements: Millimeters (mm.) Inches (in.)

XY010 Rear Seat Width Measured from inside of side guard to inside of opposite side guard. Or outside seat tube to outside of opposite seat tube near backrest. (Min. 250mm/9.84" and Max. 440mm/17.32")

Current Chair: mm. in. New Chair: mm. in.

XY020 Seat Depth/Seat Length Measured from front of back post to the front edge of seat sling. Frame bend will start .5" in front of seat sling unless Extra Frame Length requested. (Min. 250mm/9.84" and Max. 470mm/18.5")

Current Chair: mm. in. New Chair: mm. in.

XY030 Extra Frame Length Measured from front edge of seat sling to beginning of Front frame bend. (Max. 470mm/18.5" Seat length + Extra seat length)

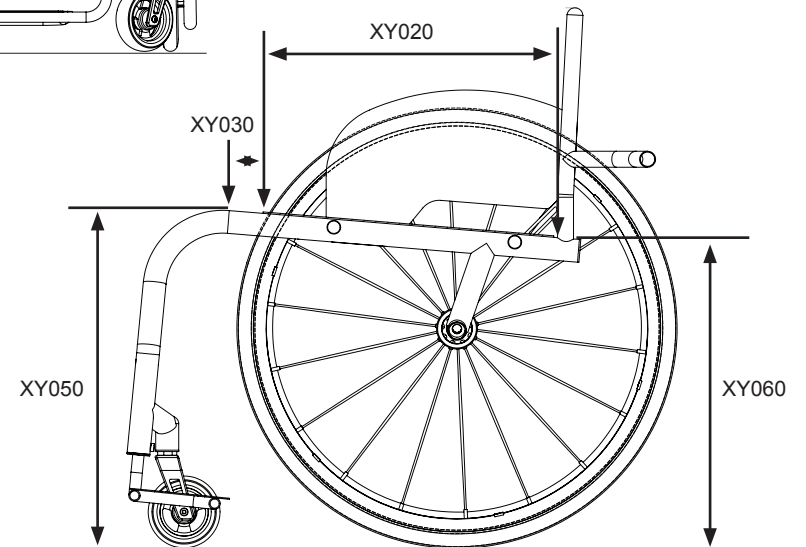
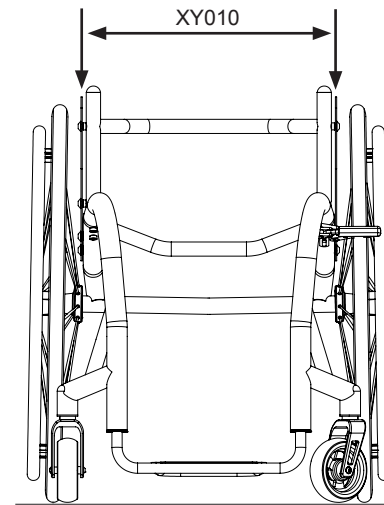
Current Chair: mm. in. New Chair: mm. in.

XY050 Front Frame Height Measured from floor to apex of seat tube. (Min. 380mm/14.96" and Max. 520mm/20.47")

Current Chair: mm. in. New Chair: mm. in.

XY060 Rear Frame Height Measured from floor to top of seat tube at back edge of seat sling. (Min. 360mm/14.17" and Max. 500mm/19.69")

Current Chair: mm. in. New Chair: mm. in.



Design Template

XY070 Occupied Frame Length/Frame Length Measured from the front of the backrest tube to the front edge of the footrest. (Min. 390mm/15.35" and Max. 635mm/25")

Current Chair: New Chair:

XY072 Caster Stem Position Measured from the front edge of the footrest to the centerline of the caster barrel. XY073 RGK to Optimize:

Current Chair: New Chair:

XA020 Ergonomic Seat Measured from front of back post to beginning of upward bend of seat tube. \$84

Current Chair: New Chair:

XY080 Front Seat Taper/Seat Taper Design Measured from inside of front frame tube at the front frame bend to inside of opposite front frame tube at the front frame bend.

Current Chair: New Chair:

XY091 Footrest Width/Parallel Taper Measured from inside of front frame tube at footrest adjustment to inside of opposite front frame tube at footrest adjustment. (Tip: when ordered together XY091 is usually 20mm (1") less than XY080).

Current Chair: New Chair:

XY115 Front Footrest Height Measured from ground up to the top of the Front footrest tube or cover.

Current Chair: New Chair:

XY120 Rear Footrest Height Measured from ground up to the top of the Rear footrest tube or cover. Standard is 20mm less than Front Footrest Height.

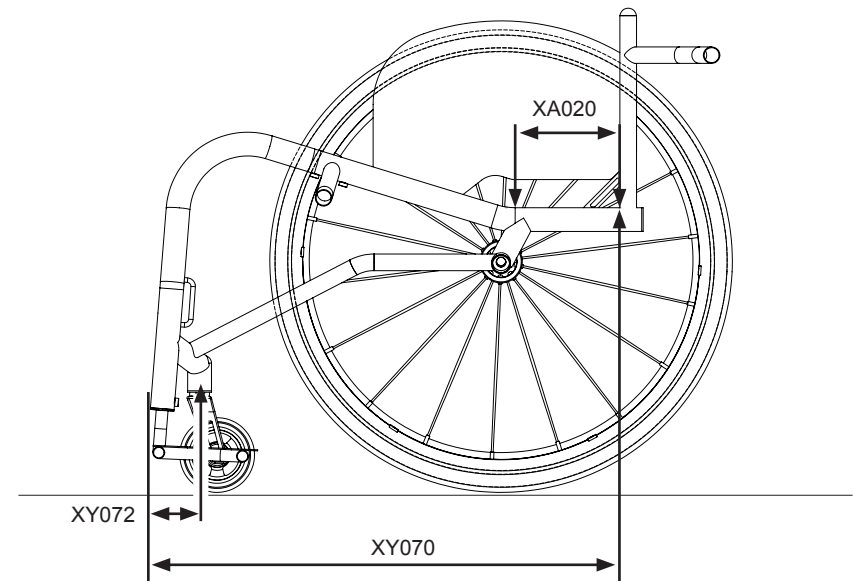
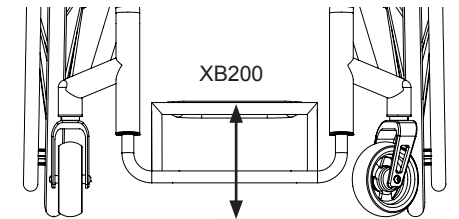
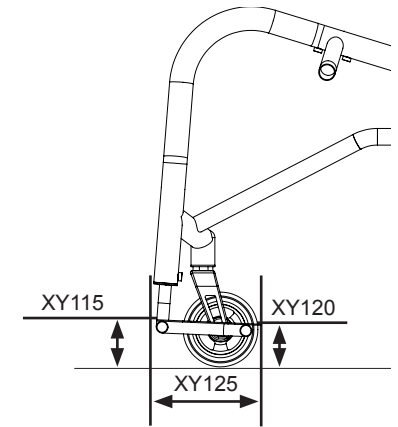
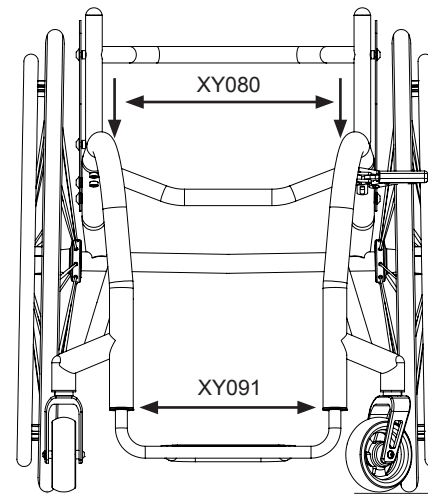
Current Chair: New Chair:

XY125 Footrest Length Measured from front edge of footrest to back edge of footrest. (Max 140mm for certified weight)

Current Chair: New Chair:

XB200 High Mount Footrest/High Level Footrest Measured from ground up to the top of the Front footrest tube or cover. \$147

Current Chair: New Chair:



Design Template

XY330 Stem Bolt/Caster Pin Width Measured from centerline of caster pin to the centerline of the opposite caster pin. XY331 RGK to Optimize:

Current Chair: New Chair:

XY231 Backrest Height Measured from top of seat tube at rear of frame to top of back-post.

Current Chair: New Chair:

XY360 Backrest Angle Measured as the angle from top front of the backrest tube to the floor. (Max. -10° to +10°) -5° -3° 0° 3° 5°

Current Chair: New Chair:

XG110 Inward Taper Measured from inside backrest tube to inside of opposite backrest tube at the top of the backrest. \$84

Current Chair: New Chair:

XG100 Ergonomic Backrest Measured from top of seat tube at rear of frame to the start of the rearward bend of back-post. \$84

Current Chair: New Chair:

XG120 Outward Flare Measured from inside backrest tube to inside of opposite backrest tube at the top of the backrest. \$84

Current Chair: New Chair:

XY390 Camber Angle Place a straight edge across the outside of rear wheel and use an angle finder to show the degree of camber.

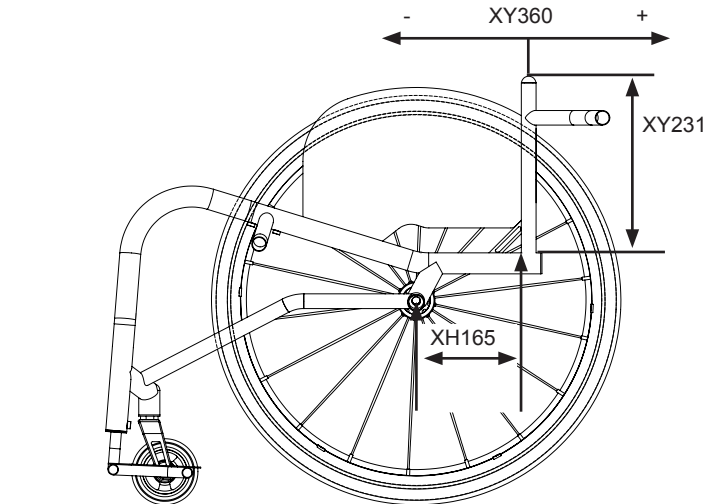
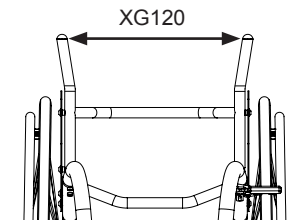
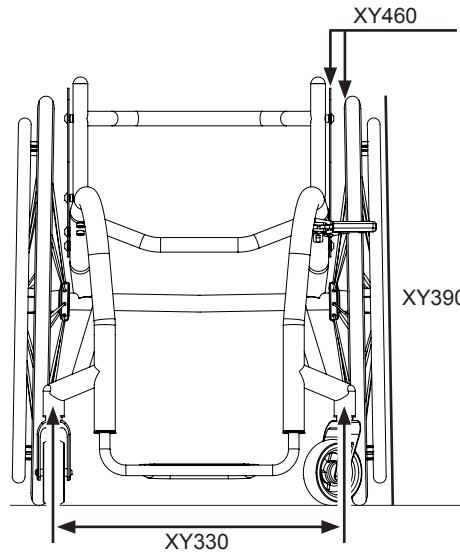
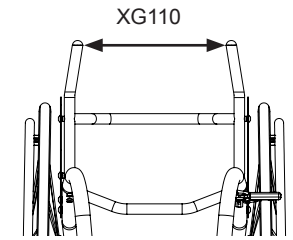
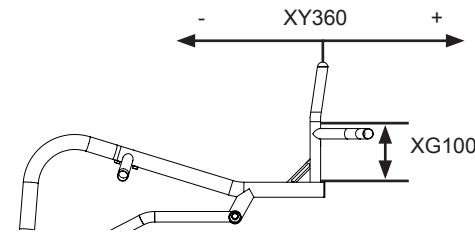
Current Chair:	1°	New Chair:	XY397	1°
	2°		XY398	2°
	3°		XY399	3°

XH165 Center of Gravity Measured from front of back post at the seat tube to the centerline of the rear axle.

Current Chair: New Chair:

XY460 Rear Wheel Gap Measured from outer most point of chair (seat back post, side guard or armrest) to inside of rear tire.

Current Chair:	.6"(15)	New Chair:	XY464	.6"(15)
	.78"(20)		XY465	.78"(20)
	1"(25)		XY466	1"(25)



Design Template

XY069 Overall Footprint Measured from the most rearward point of the chair to the most forward point of the chair.

Current Chair:

New Chair:

XY071 Wheelbase Measured from the vertical centerline of the front wheel to the centerline of the rear wheel.

Current Chair:

New Chair:

Rear Wheel Size

Current Chair: 24" (540)
25" (559)

New Chair: XY420 24" (540)
XY430 25" (559)

Front Wheel Size

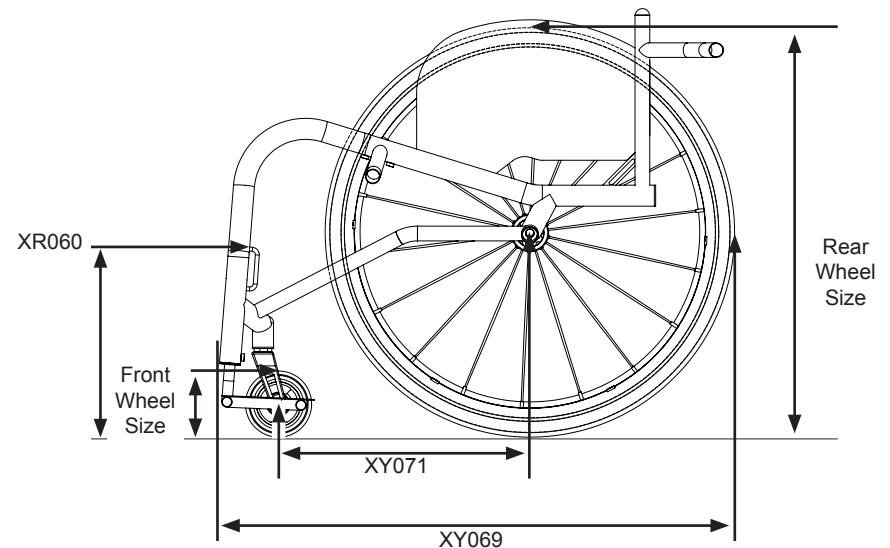
Current Chair: 4" (100)
5" (127)
6" (152)

New Chair: 4" (100)
5" (127)
6" (152)

XR060 Welded Calf Strap Mounting Loops Measured from the ground to the top of where the calf strap is required. XR061 RGK to Optimize: \$106

Current Chair:

New Chair:



Footrest Design

XY100	Round Design	STD
XY105	Ⓢ Square Design	NCO

Footrest Styles

XB020	Tubular Titanium Footrest	STD
-------	---------------------------	-----

Footrest Cover

XB045	Lightweight 3k Carbon Fiber Footrest cover WITH center cut out	STD
XB046	Ⓢ Lightweight 3k Carbon Fiber Footrest cover WITHOUT center cut out	NCO
SBTXB155	Lightweight Spinerigy Cast Carbon Fiber Footrest cover WITH center cut out	NCO
SBTXB156	Ⓢ Lightweight Spinerigy Cast Carbon Fiber Footrest cover WITHOUT center cut out	NCO

Footplate Width

XB049	Footplate width Sub4 certified (Std if no option selected)	STD
XB050	Ⓢ Footplate width optimized for chair	NCO

Front Wheels

XC135	Aluminum Center 4"x1.25"	STD
XC1131	Sliver hub & black tire	
XC1132	Black hub & black tire	
XC1133	Purple hub & black tire	

	XC1134	Green hub & black tire			
	XC1135	Red hub & black tire			
	XC1136	Blue hub & black tire			
SBTXC155	4" x 1.25" Spinergy CX6 Cast Carbon fiber front wheel				NCO
XC140	Ⓢ Aluminum Center 5"x1.4" (Sliver hub & black tire)				\$133
Forks					
XC190	Low Ride fork				STD
XC192	High Trail fork				NCO
Wheel Lock					
SBTXD036	Compact Scissor with Direct Mount				STD
XD020	Ⓢ Underseat Scissor				NCO
XD050	Ⓢ Push To Lock				NCO
SBTXD085	Ⓢ Eagle (Indicate color)				\$104
SBTXD086	Ⓢ Eagle with Direct Mount (Indicate color)				\$118
	XD088 Black	XD089 Purple	XD090 Red	XD091 Blue	
XD010	Omit Wheel Lock				NCO
Side Guards					
XE055	Screw on lightweight 3k carbon fiber				STD
SBTXE275	Screw on Spinergy CX6 Cast Carbon fiber				NCO
	XEM05	25mm above tire (Follow tire)		NCO	
	XEM06	Individual above tire (Follow tire - max. 25mm)		NCO	
	XEM02	Level with tire		STD	
	XEM07	Side guard length		STD	
	XEM08	Side guard height		STD	
XE065	Screw on lightweight 3k carbon fiber with fender				STD
	XEM03	10mm above tire		NCO	
	XEM01	Individual above tire (Follow tire - max. 25mm)		NCO	
	XEM09	Center of tire		STD	
	XEM10	Outside of tire		NCO	
Backrest					
XG010	Fixed Backrest (non-folding)				STD
SBTXG020	Ⓢ Folding backrest with 2 position snap lock and angle adjust				\$347
Center of Gravity					
SBTXH100	Single post fixed center of gravity				STD
SBTXH130	Ⓢ Square back adjustable of gravity (Range: 25mm - 125mm)				\$385
SBTXH140	Ⓢ Round back adjustable of gravity (Range: 60mm - 125mm)				\$385
Push Handles					
XG070	Ⓢ Screw in push handles				\$163
XG080	Ⓢ Flip down push handles				\$250

Anti-Tip

XJ100	Ⓢ Single sport anti-tip	\$460
-------	--------------------------------	-------

Frame Finishes

SBTXN030	Bead-blast frame	STD
SBTXN050	Polished frame	NCO

Accent Color

XN251	Black	STD
XN253	Red	NCO
XN255	Purple	NCO
XN252	Silver	NCO
XN254	Blue	NCO
XN250	Individual Accent Color	\$180

Seat Upholstery

XP045	Sub4 Seat Sling Adjustable Strap	STD
XR050	Ⓢ Carbon Fiber Seat Plate	\$354

Back Upholstery

XP035	Sub4 Airtech Adjustable Strap	STD
XP050	Ⓢ Airtech Adjustable Strap	NCO
	XP070 Ⓢ Backrest upgrade to leather corners (Only with Airtech upholstery XP050)	\$126
	XP110 Ⓢ Backrest zip pocket (Only with Airtech upholstery XP050)	\$93
	XP170 Ⓢ Individual backrest embroidery (Please complete page 10. Only available with Airtech Adjustable Strap upholstery XP050)	\$143

Upholstery Stitching Color

XP550	Black	STD
XP551	Silver	NCO
XP552	Red	NCO
XP553	Orange	NCO
XP554	Blue	NCO
XP555	Purple	NCO

RGK Backrest Logo Color

XP557	White (Standard if nothing selected)	STD
XP558	Red	STD
XP559	Black	NCO
XP560	Blue	NCO
XP561	Purple	NCO

Rear Wheel Type

XK075	Spinergy BLXL 18 bladed spoke	STD
SBTXK150	Spinergy CLX 18 bladed spokes carbon fiber rim	\$736
XK226	Titanium 100mm quick release axle pins	STD
SBTXK155	RGK EXCLUSIVE Spinergy CX6 Cast Carbon Fiber (Black Carbon Fiber Hub, Matte Black Carbon Fiber Rim and Black Bladed Spokes with 2 White Bladed Spokes Around Valve Stem)	\$877

Spinergy Spoke Colors		
XK650	Black	STD
XK651	Red	NCO
XK652	Purple	NCO
XK653	White	NCO
XK654	Blue	NCO
XK655	Orange	NCO
XK656	Yellow	NCO
XK657	Pink	NCO
XK658	Green	NCO
XK180	Individual spoke design	\$184
Spinergy Anodized Colors (Rims and Hubs are anodized not spokes, on Spinergy BLXL (XK075), Hubs only on (SBTXK150))		
XK190	Black	STD
XK202	Purple	\$287
XK203	Blue	\$287
XK201	Red	\$287
XK204	Gold	\$287
XK205	Individual hub/rims	\$332

Supply Without Rear Wheels

SBTXK040	Omit Rear Wheels	- \$496
	SBTXK041 Wheel Type:	SBTXK042 Tire Type:

Handrims Style

XY485	Wide Tab Length	STD
XY480	Narrow Tab Length	NCO
	XL090 Remove excess mounting tabs (Recommended for small wheel gaps)	\$106
XL010	Aluminum Hard Anodized 6 Tab	STD
XL160	Elipse Ergonomic 6 Tab	\$525
XL020	Tetra Grip 6 Tab	\$297
XL100	Para-Grip 6 Tab	\$297
XL040	Titanium 6 Tab	\$252
XL035	Natural-Fit LT	\$565
XL150	Carbolife Gekko	\$562
XL170	Carbolife Curve L	\$604

Tires

XM060	Schwalbe One (Lightest option)	\$99
XM155	MBL Speedlite	STD
XM150	IRC EXERACER	\$37
XM010	Kenda XM011 Grey XM012 Blue XM013 Red	STD
XM020	Schwalbe Marathon Plus	\$71
XM040	Shox Solid Tire	\$117
XM050	Kenda K885 Mountain Bike Tire	\$28

Inner Tubes

XY500	Schraeder Valve Inner Tube	STD
XY490	Presta Valve Inner Tube	NCO

Cushions

XP080	④ Cushion foam				\$87
	Density	XP001 Soft	XP002 Medium		
	Thickness	XP003 50mm	XP004 75mm	XP005 100mm	

Cushion Covers

XP085	④ Nylon Cushion Cover (Black)			STD
XP090	④ Airlite Cushion Cover (Black)			\$68

JAY & Ride Products - Please Include JAY/Ride Order Form

XP900	④ JAY Cushion	Refer to JAY Order Form
XP910	④ JAY Backrest	Refer to JAY Order Form

Accessories

XR080	④ Frontwheel Assembly (Only with XB010, TGAXB080, XB150)	\$764
XP120	④ Zip Black Frame Protectors Neoprene Fasten (Black)	\$75
XP420	④ Velcro Black Frame Protectors Nylon Fasten (Black)	\$50
XR010	④ Black Seat Pouch Velcro Attach (Black)	\$40
XR200	④ Black Rucksack with RGK Logo (Black)	\$67
XR090	Tool Kit	STD
XS065	Sub4 Calf Strap	STD

Ordering Information

Estimated MSRP*

Quote

Order

(*Price does not include any non Design Template or one-off requested options)

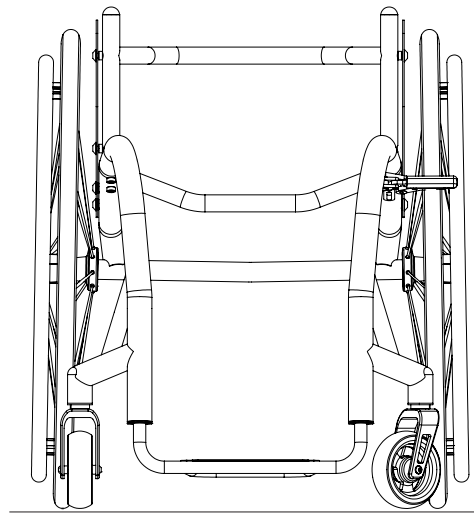
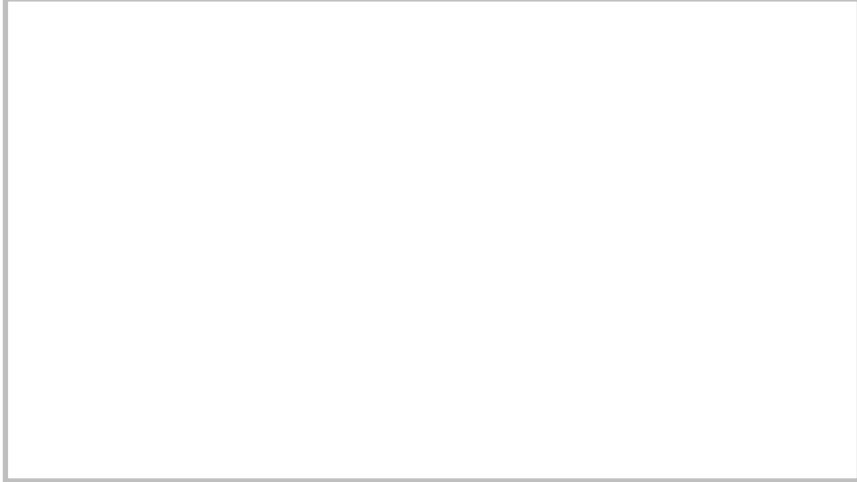
General Information

Serial No: _____

Production Date: _____

HCPCS codes provided are based on code verification by the PDAC or our interpretation of the code definitions. Proper use of HCPCS codes does not ensure coverage or payment. For coverage information, verify the appropriate payer's coverage policy

Specification Notes



**Individual Back Upholstery
Embroidery Area**

