

Quickie[®] Access[™]

Supplier: This manual must be given to the rider of this wheelchair.

Rider: Before using this wheelchair read this entire manual and save for future reference.

Owner's Manual

Quickie[®] Access[™]

Distribuidor: Este manual debe ser entregado al pasajero de esta silla de ruedas.

Pasajero: Antes de usar esta silla de ruedas, lea este manual en su totalidad y guárdelo para futura referencia.

Manual de Instrucciones

Cada una de las sillas se envía con un manual de instrucciones en inglés. El manual en español y francés está disponible en formato PDF en nuestra página en Internet: www.SunriseMedical.com. Ingrese a la página del producto específico para descargar el manual, o comuníquese con el proveedor autorizado de Sunrise Medical.

Quickie[®] Access[™]

Au Fournisseur: Ce manuel doit être remis à l'utilisateur de ce fauteuil roulant.

À l'Usager: Veuillez lire tout le manuel et le conserver pour référence ultérieure.

Manuel d'Instructions

Chaque fauteuil est livré avec un manuel d'instructions en anglais. Les versions en espagnol et en français sont à votre disposition en format PDF sur le site : www.SunriseMedical.com. Veuillez vous rendre à la page de votre produit pour télécharger le manuel dans la langue souhaitée, ou contactez un fournisseur agréé Sunrise Medical.

P/N 252849 Rev. C

QUICKIE[®]
Access[™]

Instructions for Use

SUNRISE MEDICAL LISTENS

Thank you for choosing the Quickie Access wheelchair. We want to hear your questions or comments about this manual, the safety and reliability of your chair, and the service you receive from your Authorized Sunrise Dealer. Please feel free to write or call us at the address and telephone number below:

SUNRISE MEDICAL (US) LLC

Customer Service Department
12002 Volunteer Blvd.
Mount Juliet, TN 37122, USA
(800) 333-4000



www.SunriseMedical.com/register

Be sure to register your wheelchair and let us know if you change your address. This will allow us to keep you up to date with information about safety, new products, and options to increase your use and enjoyment of this wheelchair. If you lose your warranty card, call or write and we will gladly send you a new one.

You can also register your wheelchair at:
www.SunriseMedical.com/register

FOR ANSWERS TO YOUR QUESTIONS

Your authorized dealer knows your wheelchair best, and can answer most of your questions about chair safety, use and maintenance.

For future reference, please fill in the following:

Dealer: _____

Address: _____

Telephone: _____

Serial #: _____ Date/Purchased: _____

ADDITIONAL INFORMATION YOU SHOULD KNOW

No component of this chair was made with Natural Rubber Latex.

**DISPOSAL AND RECYCLING INFORMATION**

When this product reaches the end of its life, please take it to an approved collection or recycling point designated by your local or state government. This product is manufactured using a variety of materials.

Your product should not be disposed of as ordinary household waste. You should dispose of your product properly, according to local laws and regulations. Most materials that are used in the construction of this product are fully recyclable. The separate collection and recycling of your product at the time of disposal will help conserve natural resources and ensure that it is disposed in a manner that protects the environment.

Ensure you are the legal owner of the product prior to arranging for the product disposal in accordance with the above recommendations.

II. TABLE OF CONTENTS

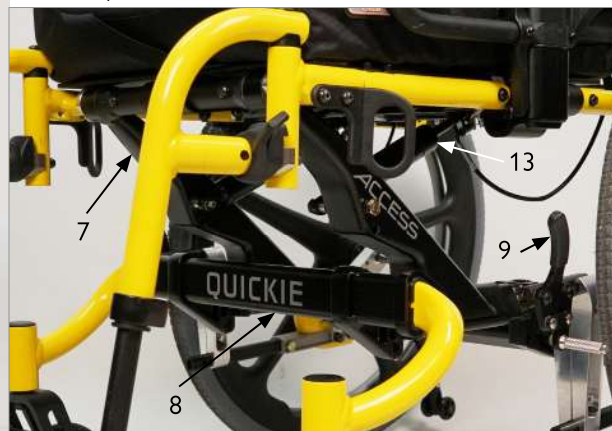
I. INTRODUCTION.....	2	M. Modified Seat Systems.....	13
II. TABLE OF CONTENTS.....	3	N. Tray for Vent and Battery.....	13
III. YOUR CHAIR AND ITS PARTS.....	4	O. Accessory Hook.....	13
IV. NOTICE — READ BEFORE USE.....	4	VIII. USE AND MAINTENANCE.....	14
A. Choose the Right Chair & Safety Options.....	4	A. Introduction.....	14
B. Review This Manual Often.....	4	B. Critical Safety Checks.....	14
C. Warnings.....	4	C. Cleaning.....	14
V. GENERAL WARNINGS.....	5	D. Maintenance Chart.....	14
A. Weight Limit.....	5	E. Troubleshooting Chart.....	15
B. Intended Use.....	5	F. To Mount and Remove Rear Wheels.....	15
C. Attendants and Caregivers.....	5	G. Cushion Placement.....	15
D. Accessories.....	5	H. Wheel Locks.....	16
E. Know Your Chair.....	5	I. Hub Lock.....	16
F. Reduce the Risk of an Accident.....	5	J. Anti-Tip Tubes-Rear.....	16
G. Safety Checklist.....	6	K. Drum Brakes.....	16
H. Changes & Adjustments.....	6	L. Dual-Post Armrests.....	17
I. Environmental Conditions.....	6	M. Height-Adjustable Armrests (Option).....	17
J. Terrain.....	6	N. Adjustable Locking Flip-up Armrests (Option).....	17
K. Street Use.....	6	O. Length-Adjustable Locking Flip-up Armrests (Option).....	18
L. Motor Vehicle Safety.....	7	P. Swing-away Hangers/Footrests.....	18
M. When You Need Help.....	7	Q. Articulating Legrest (Option).....	18
N. Choking Hazard.....	7	R. Elevating Legrest (Option).....	18
O. Pinch Point.....	7	S. Tilt Mechanism.....	19
VI. SAFETY WARNINGS: FALLS & TIP-OVERS.....	8	T. Stroller Handle Extension (Option).....	19
A. Center of Balance.....	8	U. Reclining Back.....	19
B. Dressing or Changing Clothes.....	8	V. Inspect.....	19
C. Obstacles.....	8	IX. DEALER SERVICE AND ADJUSTMENT.....	20
D. Front Caster Lift.....	8	A. Dealer Service Introduction.....	20
E. Reaching or Leaning.....	8	B. Critical Maintenance Tips.....	20
F. Moving Backward.....	8	C. Cleaning.....	20
G. Escalators.....	9	D. Rear Axle.....	20
H. Ramps, Slopes & Sidehills.....	9	E. Hub Lock Adjustment.....	21
I. Transfers.....	10	F. Wheel Locks.....	21
J. Curbs & Single Steps.....	10	G. Drum Brakes.....	21
K. Climbing a Curb or Single Step.....	11	H. Single-Post Armrest Receiver.....	22
L. Descending a Curb or Single Step.....	11	I. Adjustable Locking Flip-up Armrests.....	22
M. Stairs.....	11	J. Swing-Away Footplate Height Adjustment.....	23
N. Climbing Stairs.....	11	K. Angle Adjustable Footplate.....	23
O. Descending Stairs.....	11	L. Articulating Legrest.....	23
VII. WARNINGS: COMPONENTS & OPTIONS.....	12	M. Elevating Legrest.....	23
A. Anti-tip Tubes.....	12	N. Tilt Mechanism.....	24
B. Armrests.....	12	O. Standard Backrest.....	24
C. Push Handles.....	12	P. Fixed Stroller Handle.....	24
D. Stroller Handle.....	12	Q. Caster/Fork Assembly.....	25
E. Cushions.....	12	R. Frame Depth.....	25
F. Fasteners.....	12	S. Frame Width.....	26
G. Footrests.....	12	T. Seat Pan.....	26
H. Pneumatic Tires.....	12	U. Attendant Wheel Lock.....	26
I. Positioning Belts (Option).....	13	V. Lap Belt Instructions.....	27
J. Quick-Release Axles.....	13	W. Gas Spring Adjustment.....	28
K. Rear Axles.....	13	X. Inspect.....	28
L. Rear Wheel Locks.....	13	X. SUNRISE LIMITED WARRANTY.....	29

ACCESS



- | | |
|----------------------------|--------------------------|
| 1. Push Handle / Back Cane | 10. Rear Wheel |
| 2. Seat Frame | 11. Backrest Cushion |
| 3. Footrest Hanger | 12. Seat Cushion |
| 4. Footplate | 13. Gas Strut |
| 5. Caster | 14. Front Transit |
| 6. Caster Fork | 15. Rear Transit |
| 7. Tilt Frame Assembly | 16. Armrest |
| 8. Lower Frame Assembly | 17. Tilt Release Trigger |
| 9. Wheel Lock | 18. Anti-tip |

NOTE: All features may not be available with some chair setups or in conjunction with another chair feature. Please consult your authorized dealer for information.



IV. NOTICE — READ BEFORE USE

A. CHOOSE THE RIGHT CHAIR & SAFETY OPTIONS

Sunrise provides a choice of many wheelchair styles to meet your needs. This product is intended for single person use only. Final selection of the type of wheelchair, options and adjustments rests solely with you and your health care provider. Choosing the best chair for your unique mobility needs, will depend on such things as:

1. Your disability, grasping strength, balance and coordination.
2. The types of hazards you must overcome in daily use (where you live and work, and other places you are likely to use your chair).
3. The need for options that will improve your positioning, safety and comfort (such as anti-tip tubes, positioning belts, or special seating systems).

B. REVIEW THIS MANUAL OFTEN

Before using this chair you, and each person who may assist you, should read this entire manual and make sure to follow all instructions. Review the warnings often, until they are second nature to you.

C. WARNINGS

The word "WARNING" refers to a hazard or unsafe practice that may cause severe injury or death to you or to other persons. The "Warnings" are in three main sections, as follows:

1. V - GENERAL WARNINGS
Here you will find a safety checklist and a summary of risks you need to be aware of before you ride this chair.
2. VI - SAFETY WARNINGS: FALLS & TIP-OVERS
Here you will learn about practices for the safe use of your chair, and how to avoid a fall or tip-over while you perform daily activities in your chair.
3. VII - WARNINGS — COMPONENTS & OPTIONS
Here you will learn about the components of your chair and options you can select for safety. Consult your Sunrise Medical authorized dealer and your health care provider to help you choose the best set-up and options for safe use.

NOTE - Where they apply, you will also find "Warnings" in other sections of this manual. Heed all warnings in these sections. If you fail to do so a fall, tip-over or loss of control may occur and cause severe injury to the rider or others

V. GENERAL WARNINGS

A. WEIGHT LIMIT

WARNING

NEVER exceed the weight limit specified by Sunrise Medical. The weight capacity provided by your manufacturer is for the combined weight of a rider and items carried using on-board storage. If you do exceed the weight limit, damage to your chair, a fall, tip-over or loss of control may occur and cause severe injury to the rider or others.

Weight Capacity

Quickie Access - 300 lbs (136kg)

B. INTENDED USE

The Quickie Access wheelchair's intended use is to provide mobility to persons limited to a sitting position.

WARNING

DO NOT use this device for purposes other than what is intended by the manufacturer.

1. The wheelchair is not designed for weight training and is unsafe for use as a seat while weight training. Weight training from the wheelchair substantially changes the stability of the chair and may cause tipping.
2. DO NOT stand on the frame of the wheelchair.
3. NEVER allow someone to stand on your chair or use it as a step ladder.
4. This chair is designed for a single rider only.
5. Unauthorized modifications and use of parts or accessories not supplied or approved by Sunrise Medical may change the chair structure. This will void the warranty and may cause a safety hazard. If the warning is ignored, damage to your chair, and the potential for severe injury of the person using the chair for unintended purposes can occur.

C ATTENDANTS AND CAREGIVERS

WARNING

Before you assist a rider, be sure to read all warnings contained in this manual, and follow all instructions that apply. Be aware that after consulting a healthcare professional, you will need to learn safe and proven body mechanics to use and create assistive methods best suited to your abilities.

D. ACCESSORIES

WARNING

Unauthorized modifications or use of parts, or accessories not supplied or approved by Sunrise Medical may change the chair structure. This will void the warranty and may cause a safety hazard.

Some problems that may occur, but are not limited to:

1. Incorrect wheels and/or tires that put the rider at risk of a fall or tip-over.
2. Adding a component to the frame, changing the structural integrity of the chair.
3. Any modification or disassembly can potentially create an unsafe situation where rider and/or attendant are put at risk.

E. KNOW YOUR CHAIR

WARNING

Every wheelchair is different. Take the time to learn the feel of this chair before you begin riding. Start slowly, with easy, smooth strokes. If you are used to a different chair, you may use too much force and tip over. If you use too much force, damage to your chair, a fall, tip-over or loss of control may occur and cause severe injury to the rider or others.

F. REDUCE THE RISK OF AN ACCIDENT

WARNING

1. BEFORE you begin riding, you should be trained in the safe use of this chair by your health care provider.
2. Practice bending, reaching and transfers until you know the limit of your ability. Have someone help you until you know what can cause a fall or tip-over and how to avoid doing so.
3. Be aware that you must develop your own methods for safe use best suited to your level of function and ability.
4. NEVER try a new maneuver on your own. Ask the advice of your health care provider to lower the risk of a fall or tip over.
5. Get to know the areas where you plan to use your chair. Look for hazards and learn how to avoid them.
6. Sunrise Medical recommends using anti-tip tubes in every circumstance.

If you fail to heed these warnings, damage to your chair, a fall, tip-over or loss of control may occur and cause severe injury to the rider or others.

G. SAFETY CHECKLIST**⚠ WARNING**

Before Each Use Of Your Chair:

1. Ensure the chair rolls easily and that all parts work smoothly. Check for noise, vibration, or a change in ease of use. (This may indicate low tire pressure, loose fasteners, or damage to your chair).
2. Immediately repair any problem. Your Sunrise Medical authorized dealer can help you find and correct the problem(s).
3. Check to see that both quick-release rear axles are locked. When locked, the axle button will "pop out" fully. If not locked, the wheel may come off and cause you to fall.
4. If your chair has anti-tip tubes, lock them in place.

H. CHANGES & ADJUSTMENTS**⚠ WARNING**

1. If you modify or adjust this chair, it may increase the risk of a tip-over UNLESS you make other adjustments as well.
2. Consult your authorized dealer BEFORE you modify or adjust your chair.
3. We recommend that you use anti-tip tubes until you adapt to the change, and are sure you are not at risk to tip over.
4. Unauthorized modifications by the end-user, dealer or any other individual, including the use of parts not supplied or approved by Sunrise Medical may change the chair structure. This will void the warranty and may cause a safety hazard.

If you fail to heed these warnings, damage to your chair, a fall, tip-over or loss of control may occur and cause severe injury to the rider or others.

I. ENVIRONMENTAL CONDITIONS**⚠ WARNING**

1. Use extra care if you must ride your chair on a wet or slick surface. If you are in doubt, ask for help.
2. Contact with water or excess moisture may cause your chair to rust or corrode. Avoid all extreme weather situations if possible.
 - a. Do not use your chair in a shower, pool or other body of water. The chair tubing and parts are not water-tight and may rust or corrode from the inside.
 - b. Avoid excess moisture (for example, do not leave your chair in a damp bathroom while taking a shower).
 - c. Dry your chair as soon as you can if it gets wet, or if you use water to clean it.
 - d. Avoid contact with salt or salty conditions as this may cause damage to the chair.

If you fail to heed these warnings, damage to your chair, a fall, tip-over or loss of control may occur and cause severe injury to the rider or others.

J. TERRAIN**⚠ WARNING**

1. Based on ANSI/RESNA testing, Sunrise Medical recommends the use of a caster wheel with a minimum diameter of 5-in (127mm), if the wheelchair will be overcoming obstacles up to 1/2-in (12.7mm) on a regular basis.
2. Your chair is designed for use on firm, even surfaces such as concrete, asphalt, indoor flooring, and carpets.
3. Do not operate your chair in sand, loose soil, or over rocky terrain.
4. If you use your chair on terrain that is rougher than described above there is a danger that screws and bolts will loosen prematurely, and that damage to wheels or axles could put the rider at risk of a fall, tip-over, or loss of control.

If you fail to heed these warnings, damage to your chair, a fall, tip-over or loss of control may occur and cause severe injury to the rider or others.

K. STREET USE**⚠ WARNING**

1. This product is not intended for street use.
2. Avoid streets whenever possible.
3. Obey and follow all legal pedestrian pathways, and laws that apply to pedestrians.
4. Be alert to the danger of motor vehicles in parking lots, or if you must cross a road.

If you fail to heed these warnings, damage to your chair, a fall, tip-over or loss of control may occur and cause severe injury to the rider or others.

V. GENERAL WARNINGS

L. MOTOR VEHICLE SAFETY 1 2

If possible and feasible, the rider should transfer to the Original Equipment Manufacturer vehicle seat and use the OEM vehicle restraint.

Sunrise Medical does provide a Wheelchair Tie-Down and Occupant Restraint System, otherwise called a Transit Option. To Identify whether your wheelchair has been manufactured with the Transit Option installed, look for four points of securement: two front points (A) and two rear points (B). These points are recognized by the securement point decal which can be found on or near the securement points. If your wheelchair is equipped with the Transit Option please review the Transit Securement supplement that was provided with the wheelchair for additional information and instructions. You can request a copy from your Sunrise Medical authorized dealer, or Sunrise Medical at 1-800-333-4000 if you don't have it.

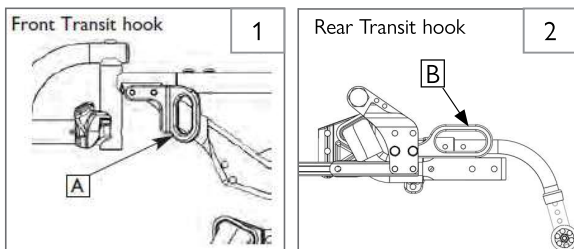
WARNING

If your chair is NOT equipped with the Transit Option:

1. NEVER let anyone sit in this chair while in a moving vehicle.
 - a. ALWAYS move the rider to an approved vehicle seat.
 - b. ALWAYS secure the rider with proper motor vehicle restraints.
2. In an accident or sudden stop the rider may be thrown from the chair. Wheelchair seat belts will not prevent this, and further injury may result from the belts or straps.
3. NEVER transport this chair in the front seat of a vehicle. It may shift and interfere with the driver.
4. ALWAYS secure this chair so that it cannot roll or shift.
5. DO NOT use any wheelchair that has been involved in a motor vehicle accident. A sudden stop and/or collision may structurally damage your wheelchair. There may have been a change to the structure of the chair, and/or damaged or broken some of the components. Wheelchairs involved in sudden stops should be inspected for possible failures in frame and/or components. Frame damage may be represented by but not limited to: visual cracks, dents, metal distortion, bends, or damage to the seating mounting. If the chair no longer drives straight, it could be damaged. If the wheelchair has been involved in an accident, discontinue use immediately and contact your Sunrise Medical authorized dealer for a thorough inspection. If damage is questionable or if there is concern regarding the condition of the chair, Sunrise Medical recommends replacement of the chair.

NOTE- The warranty is void on any wheelchair that is involved in a collision.

If you fail to heed these warnings, damage to your chair, a fall, tip-over or loss of control may occur and cause severe injury to the rider or others.



Look for this symbol on your wheelchair. It indicates wheelchair securement points.

M. WHEN YOU NEED HELP

WARNING

For The Rider: Make sure that each person who helps you reads and follows all warnings and instructions that apply.

For Attendants:

1. Work with the rider's doctor, nurse or therapist to learn safe methods best suited to your abilities and those of the rider.
2. Tell the rider what you plan to do, and explain what you expect the rider to do. This will put the rider at ease and reduce the risk of an accident.
3. Ensure the chair has push handles. They provide secure points for you to hold the rear of the chair to prevent a fall or tip-over. Check to ensure push handle grips will not rotate or slip off.
4. To prevent injury to your back, use good posture and proper body mechanics. When you lift or support the rider or tilt the chair, bend your knees slightly and keep your back as upright and straight as you can. Remind the rider to lean back when you tilt the chair backward.
5. When you descend a curb or single step, slowly lower the chair in one easy movement. Do not let the chair drop the last few inches to the ground. This may damage the chair or injure the rider.
7. To avoid tipping, or getting hung up on objects, unlock and rotate anti-tip tubes up, out of the way.
8. Whenever you aren't attending the wheelchair, ALWAYS use the wheel-lock to secure the rear wheels, and lock the anti-tip tubes in place if you must leave the rider alone, even for a moment. This will reduce the risk of a tip over or loss of control of the chair.

If you fail to ask for help when in doubt, you run a high risk of a fall, tip-over or loss of control that may occur and cause severe injury to the rider or others.

N. CHOKING HAZARD

WARNING

NOTE- Your chair consists of many small parts that could present a choking or swallowing hazard to young children. Take care to keep loose parts out of reach when doing any work on the chair. Seek immediate help if a loose part is swallowed by a child.

O. PINCH POINT

WARNING

NOTE- Your wheelchair has many moving parts that can create pinch points and possible finger traps. Be aware when making any adjustments, when folding and unfolding, when moving, and any other situation that could cause a pinch point situation.

VI. SAFETY WARNINGS: FALLS & TIP-OVERS

A. CENTER OF BALANCE

WARNING

The point where this chair will tip forward, back or to the side depends on its center of balance and stability. How your chair is set up, the options you select and the changes you make may affect the risk of a fall or tip-over.

1. **The Most Important Adjustment Is:**
 - a. The position of the rear wheels. The more you move the rear wheels forward, the more likely your chair will tip over backward.
 - b. The position of the carriage.
1. **The Center Of Balance Is Also Affected By:**
 - a. A change in the set-up of your chair, including:
 - The seat height and seat angle.
 - Backrest angle.
 - b. A change in your body position, posture or weight distribution.
 - c. Riding your chair on a ramp or slope.
 - d. A back pack or other options and the amount of added weight can change the balance of your chair.
2. **To Reduce The Risk Of An Accident:**
 - a. Consult your doctor, nurse or therapist to find out what axle and caster position is best for you.
 - b. Consult your Sunrise Medical authorized dealer BEFORE you modify or adjust this device. Be aware that you may need to make other changes to correct the center of balance.
 - c. Have someone help you until you know the balance points of your chair and how to avoid a tip-over.
 - d. Use anti-tip tubes.

If you fail to heed these warnings, you are at a high risk of a fall, tip-over or loss of control that could cause severe injury to the rider or others.

B. DRESSING OR CHANGING CLOTHES

WARNING

Your weight may shift if you dress or change clothes while seated in this chair.

To reduce the risk of a fall or tip-over:

1. Rotate the front casters until they are as far forward as possible. This makes the chair more stable.
2. Lock anti-tip tubes in place. (If your chair does not have anti-tip tubes, back it up against a wall and lock both rear wheels).

If you fail to heed these warnings, you are at a high risk of a fall, tip-over or loss of control that could cause severe injury to the rider or others.

C. OBSTACLES

WARNING

Riding over curbs or obstacles can cause tipping and serious bodily harm. If you have any doubt that you can safely cross any curb or obstacle, ALWAYS ASK FOR HELP. Be aware of your riding skills and personal limitations. Develop new skills only with the help of a companion.

To avoid the risk of traversing obstacles:

1. Keep a lookout for danger – scan the area well ahead of your chair as you ride.
2. Ensure the floor areas where you live and work are level and free of obstructions.
3. Remove or cover threshold strips between rooms.
4. Install a ramp at entry or exit doors. Ensure there is not a drop off at the bottom of the ramp.
5. To Help Correct Your Center Of Balance:
 - a. Lean your upper body FORWARD slightly as you go UP over an obstacle.
 - b. Press your upper body BACKWARD as you go DOWN from a higher to a lower level.
6. If your chair has anti-tip tubes, do not go over an obstacle without help.
7. Keep both of your hands on the handrims as you go over an obstacle.

8. Never push or pull on an object (such as furniture or a doorjamb) to propel your chair.

If you fail to heed these warnings, you are at a high risk of damage to your chair, a fall, tip-over or loss of control that may occur and cause severe injury to the rider or others.

D. FRONT CASTER LIFT

WARNING

Front caster lift can occur when the front wheels, ordinarily in contact with the ground, are either intentionally, or unintentionally caused to lift from the ground while the rear wheels remain in contact. Pitch control (partial or full) should NEVER be attempted without consulting your healthcare advisor and making sure that anti-tips are installed.

E. REACHING OR LEANING

WARNING

If you reach or lean it will affect the center of balance of your chair. This may cause you to fall or tip over. When in doubt, ask for help or use a device to extend your reach.

1. NEVER reach or lean if you must shift your weight sideways or rise up off the seat.
2. NEVER reach or lean if you must move forward in your seat to do so. Always keep your buttocks in contact with the backrest.
3. NEVER reach with both hands (you may not be able to catch yourself to prevent a fall if the chair tips).
4. NEVER reach or lean to the rear unless your chair has anti-tip tubes locked in place.
5. DO NOT reach or lean over the top of the seat back. This may damage one or both backrest tubes and cause you to fall.
6. If You Must Reach Or Lean:
 - a. Do not lock the rear wheels. This creates a tip point and makes a fall or tip-over more likely.
 - b. Do not put pressure on the footrests.
 - c. Move your chair as close as you can to the object you wish to reach, then back up alongside it. Backing up will rotate the casters forward.
 - d. Do not try to pick up an object from the floor by reaching down between your knees. You are less likely to tip if you reach to the side of your chair.
 - e. Rotate the front casters until they are as far forward as possible. This makes the chair more stable.
 - f. Firmly grasp a rear wheel or an armrest with one hand. This will help to prevent a fall if the chair tips.

If you fail to heed these warnings damage to your chair, a fall, tip-over or loss of control may occur and cause severe injury to the rider or others.

F. MOVING BACKWARD

WARNING

Use extra care when you move your chair backward. Your chair is most stable when you propel yourself forward. You may lose control or tip over if one of the rear wheels hits an object and stops rolling.

1. Propel your chair slowly and smoothly.
2. If your chair has anti-tip tubes, ensure you lock them in place.
3. Stop often and check to ensure your path is clear.

If you fail to heed these warnings damage to your chair, a fall, tip-over or loss of control may occur and cause severe injury to the rider or others.

VI. SAFETY WARNINGS: FALLS & TIP-OVERS

G. ESCALATORS

WARNING

NEVER use this chair on an escalator, even with an attendant. If you do, a fall or tip-over is likely.

If you fail to heed these warnings damage to your chair, a fall, tip-over or loss of control may occur and cause severe injury to the rider or others.

H. RAMPS, SLOPES & SIDEHILLS 3 4 5 6

WARNING

Whenever possible, avoid riding on a slope, which includes a ramp or sidehill. This will change the center of balance of your chair. Your chair is less stable and more difficult to maneuver when it is at an angle. When moving up a hill, anti-tip tubes may not prevent a fall or tip-over.

1. **DO NOT** use your chair on a slope steeper than 6°. (A 6° slope means: one foot in elevation for every ten feet of slope length.)
2. **ALWAYS** go as straight up and as straight down as you can. (Do not "cut the corner" on a slope or ramp.)
3. **DO NOT** turn or change direction on a slope.
4. When you have to use a ramp, always stay in the CENTER of the ramp. Ensure ramp is wide enough that you have no risk of going off the edge.
5. **DO NOT** stop on a steep slope. If you stop, you may lose control of your chair.
6. **NEVER** use rear wheel locks to try to slow or stop your chair. This is likely to cause your chair to veer out of control.
7. **ALWAYS** be aware of:
 - a. Wet or slippery surfaces.
 - b. A change in grade on a slope (or a lip, bump or depression). These may cause a fall or tip-over.
8. To Reduce The Risk Of A Fall Or Tip-Over:
 - a. Lean or press your body UPHILL. This will help adjust for the change in the center of balance caused by the slope or sidehill.
 - b. Keep pressure on the handrims to control your speed on a down slope. If you go too fast you may lose control.
 - c. **ASK FOR HELP** any time you are in doubt.
9. Ramps At Home & Work– For your safety, ramps at home and work must meet all legal requirements for your area:
 - a. **AVOID A DROP-OFF**
Ensure there is a section at the top or bottom to smooth out the transition.
 - b. **ALWAYS** stay in the center of the ramp and control your speed.

If you fail to heed these warnings damage to your chair, a fall, tip-over or loss of control may occur and can possibly cause severe injury to the rider or others.

For Attendants:

Follow these steps to help the rider go up or down a ramp:

1. Stay behind the chair.
2. Firmly grasp the push handles, or if there are no push handles, firmly grasp a fixed, non-removable part of the frame.
3. For going up or down a ramp, the chair should always be facing forward.

If you fail to heed these warnings damage to your chair, a fall, tip-over or loss of control may occur and cause severe injury to the rider or others.



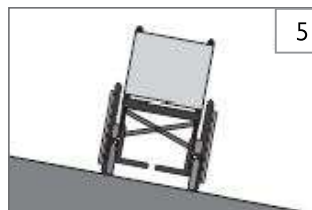
IF you need to go down a hill:

- a. The Downslope should be less than 6°
- b. **GO SLOW**
- c. **ALWAYS** Go Straight down
- d. **ALWAYS** Control your speed
- e. **NEVER** turn on a hill



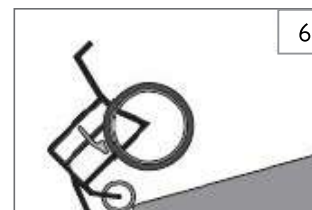
IF you need to go up a hill:

- a. The Upslope should be less than 6°
- b. **ALWAYS** Go Straight up
- c. **NEVER** Stop on the upslope
- d. **NEVER** turn on a hill
- e. **ALWAYS** lean forward



IF you need to traverse a Sidehill:

- a. Sidehill must be less than 6° or you are risking a tip over
- b. **DON'T STOP**
- c. **DO NOT** make any Turns on the sidehill



IF you need to traverse a Ramp:

- a. **Go Slowly**
- b. **Watch out for Drop-offs**
- c. **ALWAYS** Go Straight down
- d. **Stay centered on the Ramp**

VI. SAFETY WARNINGS: FALLS & TIP-OVERS

I. TRANSFERS 7 8

WARNING

It is dangerous to transfer on your own. It requires good balance and agility. Be aware that there is a point during every transfer when the wheelchair seat is not below you.

To avoid a fall:

1. Work with your health care provider to learn safe transfer methods.
 - a. Learn how to position your body and how to support yourself during a transfer.
 - b. Have someone help you until you know how to do a safe transfer on your own.
2. Lock the rear wheels before you transfer.
3. Be aware that the chair can still slide and/or tip. The wheel lock keeps the rear wheels from rolling while you are performing the transfer.
4. Ensure that the pneumatic tires are properly inflated. Low tire pressure may allow the rear wheel locks to slip. (see table in Section VII: H "Pneumatic Tires")
5. Move your chair as close as you can to the seat you are transferring to. If possible, use a transfer board.
6. Rotate the front casters until they are as far forward as possible.
7. If you can, remove the footrests, or swing them out of the way.
 - a. Ensure your feet do not catch in the space between the footrests.
 - b. Avoid putting weight on the footrests as this may cause the chair to tip.
8. Ensure armrests are removed, or out of the way and do not interfere with the transfer.
9. Transfer as far back onto the seat surface as you can. This will reduce the risk that the chair will tip or move away from you.

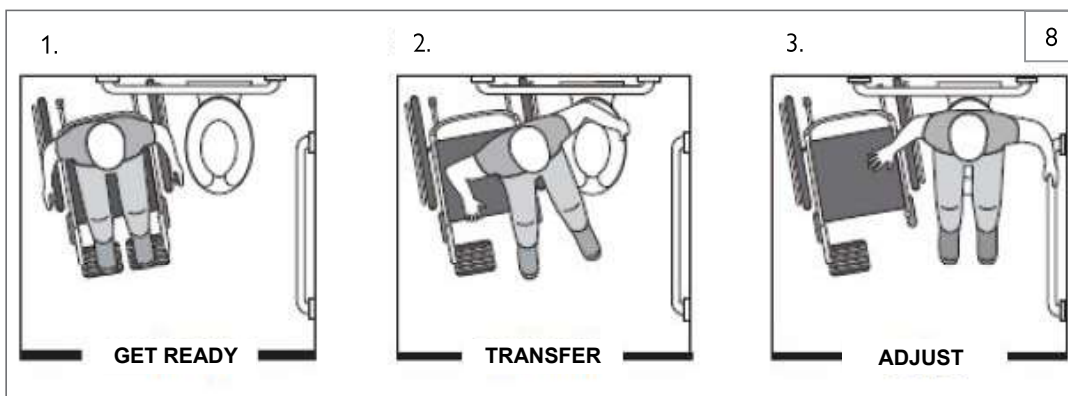
If you fail to heed these warnings damage to your chair, a fall, tip-over or loss of control may occur and can possibly cause severe injury to the rider or others.

Optimum Transfer position



Before transferring:

- a. Flip-Back, or remove the armrests out of the way.
- b. Swing, or remove the footrests out of the way.
- c. Ensure the wheel lock is set.



J. CURBS & SINGLE STEPS 9

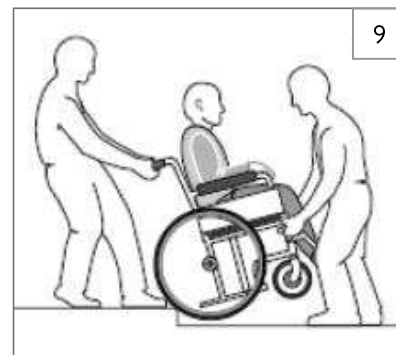
WARNING

Before riding over curbs, and negotiating even a single step, ALWAYS ask for assistance first. Curbs and steps can cause tipping and serious bodily harm. When in doubt as to your ability to avoid, or traverse any obstacle, always ask for help. Be aware of your riding skills and personal limitations. Develop new skills only with the help of a companion.

For Attendant: Each person who assists the rider with curbs and steps should read and follow all instructions and warnings pertaining to attendants, and caregivers.

1. Do not try to climb a high curb or step (more than 4 inches high) UNLESS you have help. Doing so may cause your chair to exceed its balance point and tip over.
2. With the help of an attendant, go straight up and straight down a curb or step. If you climb or descend at an angle, a fall or tip-over is likely.
3. Be aware that the impact of dropping down from a curb or step can damage your chair or loosen fasteners.

If you fail to heed these warnings damage to your chair, a fall, tip-over or loss of control may occur and can possibly cause severe injury to the rider or others.



VI. SAFETY WARNINGS: FALLS & TIP-OVERS

K. CLIMBING A CURB OR SINGLE STEP 9

WARNING

For Attendant: follow these steps to help the rider climb a curb or single step going BACKWARD:

1. Stay behind the chair.
2. Continue backward until the rear wheels contact the face of the curb or step. Lift and roll the rear wheels to the top of the curb.
3. Pull the chair backwards until the caster wheels have cleared the edge of the curb and return the chair to its rolling position.

If you fail to heed these warnings damage to your chair, a fall, tip-over or loss of control may occur and cause severe injury to the rider or others.

L. DESCENDING A CURB OR SINGLE STEP 9

WARNING

For Attendant: Follow these steps to help a rider descend a curb or single step going FORWARD:

1. Stay at the rear of the chair.
2. Several feet before you reach the edge of the curb or step, tip the chair slightly and pull it backward.
3. When the chair is at its balance point, carefully step forward until the rear wheels reach the edge of the curb or step. Then allow the rear wheels to slowly roll down onto the lower level.
4. Push the chair forward until you are standing on the lower level.
5. When the rear wheels are safely on the lower level, tilt the chair back to its balance point.

If you fail to heed these warnings damage to your chair, a fall, tip-over or loss of control may occur and cause severe injury to the rider or others.

M. STAIRS 10

WARNING

1. NEVER use this chair on stairs UNLESS you have someone to help you. Doing so is likely to cause a fall or tip-over.
2. Negotiating stairs with a wheelchair always requires at least two attendants for safety.

If you fail to heed these warnings damage to your chair, a fall, tip-over or loss of control may occur and cause severe injury to the rider or others.

N. CLIMBING STAIRS 10

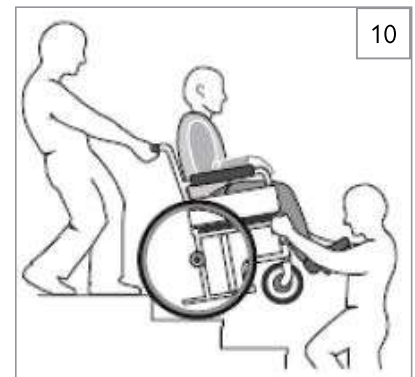
WARNING

1. Use at least two attendants to move a chair and rider up stairs.
2. Move the chair and rider BACKWARD up the stairs.
3. The person at the rear is in control. He or she tilts the chair back to its balance point.
4. A second attendant at the front firmly grasps a non-detachable part of the front frame and lifts the chair up and over one stair at a time.
5. The attendants move to the next stair up. Repeat for each stair, until you reach the landing.

O. DESCENDING STAIRS 10

WARNING

1. Use at least two attendants to move a chair and rider down stairs.
2. Move the chair and rider FORWARD down the stairs.
3. The person at the rear is in control. He or she tilts the chair to the balance point of the rear wheels and rolls it to the edge of the top step.
4. A second attendant stands on the third step from the top and grasps the chair frame. He or she lowers the chair one step at a time by letting the rear wheels roll over the stair edge.
5. The attendants move to the next stair down. Repeat for each stair, until you reach the landing.



A. ANTI-TIP TUBES**⚠ WARNING**

Anti-tip tubes can help keep your chair from tipping over backward in normal conditions.

1. Sunrise Medical recommends the use of anti-tip tubes:
2. When locked in place (in the “down” position) anti-tip tubes should be BETWEEN 1 1/2 to 2 inches (38 to 51mm) off the ground.
 - a. If set higher than 2 inches (51mm), they may not prevent a tip-over.
 - b. If set lower than 1 1/2 inches (38mm), they may “hang up” on obstacles and cause a fall or tip over.
3. If you have to climb or descend a curb, or overcome an obstacle it may be necessary to have an attendant ensure the anti-tip tubes are rotated up, and out of the way, so that the chair and rider do not get stuck and/ or become unstable.

If you fail to heed these warnings damage to your chair, a fall, tip-over or loss of control may occur and cause severe injury to the rider or others.

B. ARMRESTS**⚠ WARNING**

Armrests detach and will not bear the weight of this chair.

1. NEVER lift this chair by its armrests. They may come loose or break.
2. Lift this chair only by non-detachable parts of the main frame.

If you fail to heed these warnings damage to your chair, a fall, tip-over or loss of control may occur and cause severe injury to the rider or others.

C. PUSH HANDLES**⚠ WARNING**

When you have an attendant, ensure that this chair has push handles.

1. Push handles provide secure points for an attendant to hold the rear of this chair, to prevent a fall or tip-over. Ensure you use push handles when you have an attendant.
2. Check to ensure push handle grips will not rotate or slip off.

If you fail to heed these warnings damage to your chair, a fall, tip-over or loss of control may occur and cause severe injury to the rider or others.

D. STROLLER HANDLE**⚠ WARNING**

1. Always keep hands away from the locking mechanism located at the bottom of the back canes when folding the back down or pulling it back up.
2. Always keep fingers away from the interior of the hinge when readjusting the adjustable stroller handle.

E. CUSHIONS**⚠ WARNING**

1. Quickie standard foam cushions are not designed for the relief of pressure.
2. If you suffer from pressure sores or if you are at risk that they will occur, you may need a special seat system or a device to control your posture. Consult your doctor, nurse or therapist to find out if you need such a device for your well-being.
3. Seat pans are not intended to be used as a direct seating surface. A cushion or other seating surface should be placed on the seat pan before use.

If you fail to heed these warnings, damage to your chair, a fall, tip-over or loss of control may occur and cause severe injury to the rider or others.

F. FASTENERS**⚠ WARNING**

Many of the screws, bolts and nuts on this chair are special high-strength fasteners. Use of improper fasteners may cause your chair to fail.

1. ONLY use fasteners provided by a Sunrise Medical authorized dealer (or ones of the same type and strength, as indicated by the markings on the heads).
2. Over- or under-tightened fasteners may fail or cause damage to chair parts.
3. If bolts or screws become loose, tighten them as soon as you can.

NOTE- For safety and optimum performance it is best to not reuse fasteners.

If you fail to heed these warnings damage to your chair, a fall, tip-over or loss of control may occur and cause severe injury to the rider or others.

G. FOOTRESTS**⚠ WARNING**

1. At the lowest point, footrests should be AT LEAST 2 inches (51mm) off the ground. If set too LOW, they may “hang up” on obstacles you can expect to find in normal use. This may cause the chair to stop suddenly and tip forward.
2. To Avoid A Trip Or Fall When You Transfer:
 - a. Ensure your feet do not “hang up” or get caught in the space between the footrests.
 - b. Avoid putting weight on the footrests, as the chair may tip forward.
 - c. Footrests should be swung out of the way or removed whenever entering or exiting the wheelchair.
3. NEVER lift this chair by the footrests. Footrests detach and will not bear the weight of this chair. Lift this chair only by non-detachable parts of the main frame.
4. Never use the footrests of your chair to open doors, this may cause them to fail prematurely and create an unsafe situation.

If you fail to heed these warnings damage to your chair, a fall, tip-over or loss of control may occur and cause severe injury to the rider or others.

H. PNEUMATIC TIRES**⚠ WARNING**

Proper inflation extends the life of your tires and makes your chair easier to use.

1. Do not use this chair if any of the tires are under- or over-inflated. Check weekly for proper inflation level, as listed on the tire sidewall.
2. Low pressure in a rear tire may cause the wheel lock on that side to slip and allow the wheel to turn when you do not expect it.
3. Low pressure in any of the tires may cause the chair to veer to one side and result in a loss of control.
4. Over-inflated tires may burst.

If you fail to heed these warnings damage to your chair, a fall, tip-over or loss of control may occur and cause severe injury to the rider or others.

Recommended Tire Pressures

Tires	Recommended Pressure or Pressure Range	
	kPa	PSI
Pneumatic - 12-in	276	40
Pneumatic - 16-in	241	35
Pneumatic - 20-in	448	65
Pneumatic - 22-in	448	65
Pneumatic - 24-in	517	75

VII. WARNINGS: COMPONENTS & OPTIONS

I. POSITIONING BELTS (Option)

WARNING

The positioning belt is predominately used to support your posture. It can also be used to limit slipping and/or sliding that you might experience when the chair is in motion. The positioning belt is not a transit rated safety belt and should not be used in the place of a seat belt while being transported in a motor vehicle. Improper use of positioning belts may cause severe injury or death. If you use a positioning belt, be sure to follow the recommendations in this section:

1. Ensure the rider does not slide down in the wheelchair seat. If this occurs, the rider may suffer chest compression or suffocate due to pressure from the belts.
2. The belts must be snug, but must not be so tight that they interfere with breathing. You should be able to slide your open hand, flat, between the belt and the rider.
3. A pelvic wedge or a similar device can help keep the rider from sliding down in the seat. Consult with the rider's doctor, nurse or therapist to find out if the rider needs such a device.
4. Use positioning belts only with a rider who can cooperate. Ensure the rider can easily remove the belts in an emergency.
5. NEVER use positioning belts:
 - a. As a patient restraint. A restraint requires a doctor's order.
 - b. On a rider who is comatose or agitated.
 - c. As a motor vehicle restraint. In an accident or sudden stop the rider may be thrown from the chair. Wheelchair positioning belts will not prevent this, and further injury may result from the belts or straps.

If you fail to heed these warnings, damage to your chair, a fall, tip-over or loss of control may occur and cause severe injury to the rider or others.

J. QUICK-RELEASE AXLES

WARNING

1. Do not use this chair UNLESS you are sure that both quick-release rear axles are locked.
2. An axle is not locked until the quick-release button pops out fully. If the axle is not inserted fully, the wheel may come off during use, endangering the rider.
3. Quick-Release Axles should be periodically cleaned and inspected for function and signs of wear or bending. Replace as necessary.

If you fail to heed these warnings damage to your chair, a fall, tip-over or loss of control may occur and cause severe injury to the rider or others.

K. REAR AXLES

WARNING

A change in set-up of the rear wheels will affect the center of balance of your chair.

1. The farther you move the rear axles FORWARD, the more likely it is that your chair will tip over backward.
2. Consult your doctor, nurse or therapist to find the best rear axle set-up for your chair. Do not change the set-up UNLESS you are sure you are not at risk to tip over.
3. Adjust the rear wheel locks after you make any change to the rear axles.
 - a. If you fail to do so, the wheel locks may not work.
 - b. Ensure lock arms embed in the tires at least 1/8 inch (3mm) when locked.

If you fail to heed these warnings damage to your chair, a fall, tip-over or loss of control may occur and cause severe injury to the rider or others.

L. REAR WHEEL LOCKS

WARNING

Rear wheel locks are NOT designed to slow or stop a moving wheelchair. Use them only to keep the rear wheels from rolling when your chair is at a complete stop.

1. NEVER use rear wheel locks to try to slow or stop your chair when it is moving. Doing so may cause a fall or tip-over.
2. To keep the rear wheels from rolling, always set both rear wheel locks when you transfer to or from your chair.
3. Low pressure in a rear tire may cause the wheel lock on that side to slip and may allow the wheel to turn when you do not expect it.
4. Ensure lock arms embed in tires at least 1/8 inch (3mm) when locked. If you fail to do so, the locks may not work.

If you fail to heed these warnings damage to your chair, a fall, tip-over or loss of control may occur and cause severe injury to the rider or others.

M. MODIFIED SEAT SYSTEMS

WARNING

Use of a seat system not approved by Sunrise Medical may alter the center of balance of this chair. This may cause the chair to tip over.

1. Do not change the seat system of your chair UNLESS you consult your Sunrise Medical authorized dealer first.
2. Use of a seating system not provided by Sunrise Medical is prohibited for transit use.

If you fail to heed these warnings damage to your chair, a fall, tip-over or loss of control may occur and cause severe injury to the rider or others.

N. TRAY FOR VENT AND BATTERY

WARNING

NOTE– This option is only compatible with wheelchairs having a minimum floor-to-seat height of 15-in (38 cm).

NOTE– The battery tray components are not compatible with the attendant wheel lock option or foot release tilt.

WARNING

Never use this wheelchair as a seat in a motor vehicle unless all components are removed from the battery tray, and properly secured separately in the vehicle.

WARNING

Always contact Sunrise Medical Technical Service before attaching or removing the battery tray components to obtain the correct assembly locations of the strut tubes, roller carriage assembly and caster brackets.

WARNING

The combined weight of the user plus the ventilator, battery and tray components should not exceed 300 lbs (136 kg) on the Quickie Access.

O. ACCESSORY HOOK

WARNING

The weight limit for the accessory hook is 10 lbs (4.5 kg) total for all items.

If you fail to heed these warnings damage to your chair, a fall, tip-over or loss of control may occur and cause severe injury to the rider or others.

⚠ WARNING

The owner and/or Caregiver is responsible for ensuring that the chair has been set up and adjusted by a trained service professional under the advice of a healthcare professional. It may require periodic safety and function checks or certain tool free adjustments that can be performed by the owner, caregiver or Sunrise Medical authorized dealer if desired. Always use parts and/or accessories that have been recommended or approved by Sunrise Medical when servicing this chair.

A. INTRODUCTION

1. Proper maintenance will improve performance and extend the useful life of your chair.
2. Clean your chair regularly. This will help you find loose or worn parts and make your chair easier to use. You will need a mild detergent solution and plenty of cleaning rags.
3. If discovered, have loose, worn, bent or damaged parts replaced **before using the chair.**
4. To protect your investment, have all major maintenance and repair work done by your Sunrise Medical authorized dealer.
5. **Inspect and maintain this chair strictly per the safety checklist.**
6. **If you detect a problem, ensure you order parts, or have service, and repair work done at your Sunrise Medical authorized dealer before use.**
7. **At least once per year, have a complete inspection, safety check, and service of your chair made by a Sunrise Medical authorized dealer.**

B. CRITICAL SAFETY CHECKS

1. **Tire Air Pressure:**
Check air pressure in pneumatic tires at least **ONCE PER WEEK.** The wheel locks will not grip properly if you fail to maintain the air pressure shown on tire sidewall.
2. **Axles & Axle Sleeves:**
When checking axles and axle sleeves every six months, ensure they are clean and tight. Loose sleeves will damage the axle plate and will affect performance.

C. CLEANING

1. **Paint Finish**
 - a. Clean the painted surfaces with mild soap or detergent at least once a month.
 - b. Protect the paint with a coat of non-abrasive auto wax every three months.
2. **Axles and Moving Parts**
 - a. Clean around axles and moving parts WEEKLY with a slightly damp (not wet) cloth.
 - b. Wipe off or blow away any fluff, dust or dirt on axles or moving parts.
3. **Upholstery**
 - a. Hand-wash (machine washing may damage fabric).
 - b. Drip-dry only. DO NOT machine dry as heat will damage fabric.
4. **Basic Maintenance Materials available at local store**
 - a. Tire pump
 - b. Tire pressure gauge
 - c. Clean rags or cotton cloth.
 - d. Teflon-based lubricant
 - e. Mild detergent.

NOTE - You do not need to grease or oil the chair.

D. MAINTENANCE CHART

Weekly	Monthly	3 Months	6 Months	Annually	Safety & Function Check
<input checked="" type="checkbox"/>					Tire Inflation level
<input checked="" type="checkbox"/>					Wheel Locks
		<input checked="" type="checkbox"/>			Visually check for loose hardware
			<input checked="" type="checkbox"/>		Armrests
			<input checked="" type="checkbox"/>		Axle and Axle Sleeves
		<input checked="" type="checkbox"/>			Quick-release Axles
		<input checked="" type="checkbox"/>			Wheels, Tires, and Spokes
		<input checked="" type="checkbox"/>			Casters
		<input checked="" type="checkbox"/>			Anti-tip Tubes
			<input checked="" type="checkbox"/>		Frame, Camber Tubes & Crossbrace
	<input checked="" type="checkbox"/>				Upholstery
<input checked="" type="checkbox"/>					Rollers
<input checked="" type="checkbox"/>					Tilt Cables and Plunger
				<input checked="" type="checkbox"/>	Service by Authorized Dealer

NOTE - The user or caregiver should perform these weekly and monthly checks to maintain the safety of their chair. If an item is not working properly, please contact your Sunrise Medical authorized dealer.

VIII. USE AND MAINTENANCE

E. TROUBLESHOOTING CHART

Symptoms									Solution
	Left turn in chair	Right turn in chair	Looseness in chair	Sluggish turning	Squeaks and rattles	Caster flutter	Chair drops fast into tilt and is hard to return	Chair is hard to tilt and returns too fast	
<input checked="" type="checkbox"/>	<input checked="" type="checkbox"/>	<input checked="" type="checkbox"/>	<input checked="" type="checkbox"/>						Ensure tire pressure is correct and equal in both rear tires and front caster tires, if pneumatic.
		<input checked="" type="checkbox"/>	<input checked="" type="checkbox"/>	<input checked="" type="checkbox"/>	<input checked="" type="checkbox"/>				Ensure all nuts and bolts are tight.
		<input checked="" type="checkbox"/>		<input checked="" type="checkbox"/>					Ensure all spokes and nipples are tight on radial spoke wheels.
				<input checked="" type="checkbox"/>					Use Tri-Flow Lubricant (Teflon® based) between frame connections and parts.
<input checked="" type="checkbox"/>	<input checked="" type="checkbox"/>		<input checked="" type="checkbox"/>		<input checked="" type="checkbox"/>				Check for proper caster plate adjustment. See instructions for caster plate adjustment.
<input checked="" type="checkbox"/>	<input checked="" type="checkbox"/>				<input checked="" type="checkbox"/>				Ensure both front casters touch the ground simultaneously. If they do not, add the proper spacers between the bottom bearing of the caster plate and fork stem nut until they do. Ensure you check for this problem on a flat surface.
						<input checked="" type="checkbox"/>			Consult with an authorized dealer to adjust CG/CR forward
							<input checked="" type="checkbox"/>		Consult with an authorized dealer

F. TO MOUNT AND REMOVE REAR WHEELS 11

Do not use this chair UNLESS you ensure both quick-release axles are locked. An unlocked axle may come off during use and cause a fall.

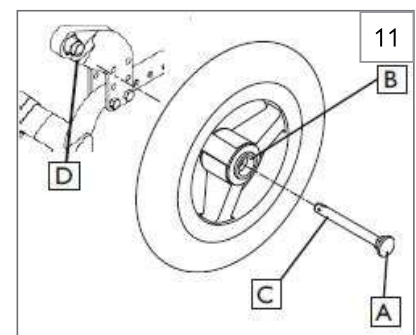
NOTE— Axle is not locked until the quick-release button (A) pops out fully.

1. To Attach Wheel

- a. Depress quick-release button (A) fully. This will release tension on ball bearings at other end.
- b. Insert axle through hub of rear wheel (B).
- c. Keep pressure on button (A) as you slide axle (C) into axle sleeve (D).
- d. Release button to lock axle in sleeve. Adjust axle if it does not lock.
- e. Repeat steps on other side.

2. To Remove Wheel

- a. Depress quick-release button (A) fully.
- b. Remove wheel by sliding axle (C) out of axle sleeve (D).
- c. Repeat steps on other side.



G. CUSHION PLACEMENT

Place cushion on seat pan with hook material side down. The beveled edge of the cushion should be in front. Press it firmly into place.

H. WHEEL LOCKS

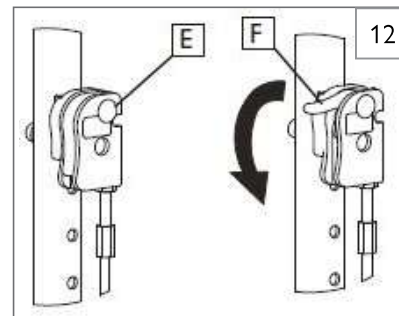
⚠ WARNING

Wheel locks are installed at Sunrise Medical and should be adjusted by your Sunrise Medical authorized dealer. Inspect wheel locks weekly per the maintenance chart. Do not use your chair UNLESS you ensure both wheel locks can fully engage. A wheel lock that is not correctly adjusted may allow your chair to roll, or turn unexpectedly. Wheel locks must be adjusted after ensuring the tires have the correct air pressure. When fully engaged, the arm should be imbedded into the tire at least 1/8-in (3mm) to be effective. If you find the wheel locks have slipped or are not working correctly, contact your Sunrise Medical authorized dealer for proper adjustment.

I. HUB LOCK 12

To operate Hub Lock

- To lock rear wheels, press button (E). Lever (F) will flip outward. Do not engage hub lock when chair is in motion.
- To unlock wheels, press lever (F) back down until button (E) pops back out. Each lever operates one side of the chair. To fully lock chair, both buttons must be pushed.



J. ANTI-TIP TUBES - REAR 13 14

Anti-tip tubes are recommended for all wheelchairs. Do not attempt to overcome obstacles on your own.

1. Inserting Anti-Tip Tubes Into Receivers

- Press in the rear anti-tip button (G) on the anti-tip so that both buttons are drawn inside.
- Insert the anti-tip tube into the receiver (H).
- Turn the anti-tip tube down until front release button pops through the receiver mounting hole.
- Insert second anti-tip tube the same way.

2. Turning Anti-Tip Tubes Up

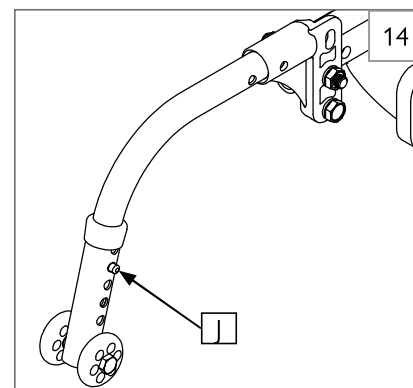
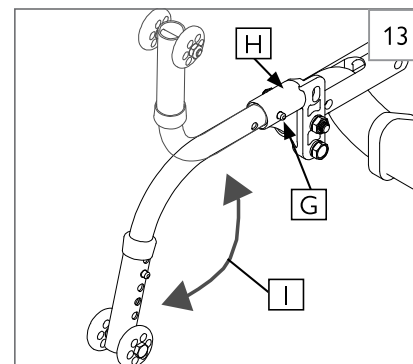
Turn the anti-tip tubes up when being pushed by attendant, and overcoming obstacles or climbing curbs.

- Press in the rear anti-tip tube release button (G).
- Hold button (G) in and turn anti-tip tube up (I).
- Release the button.
- Repeat with second anti-tip tube.
- Remind attendant to return anti-tips to the down position after completing the maneuver.

3. Adjusting Anti-Tip Tube Wheel

The anti-tip tube wheels may have to be raised or lowered to achieve proper ground clearance (1-1/2-in to 2-in [38 to 51mm]).

- Press the anti-tip wheel release button (J) so that the release pin is drawn inside.
- Raise or lower to one of the three or six pre-drilled holes.
- Release the button (J).
- Adjust the second anti-tip tube wheel the same way. Both wheels should be at exactly the same height.

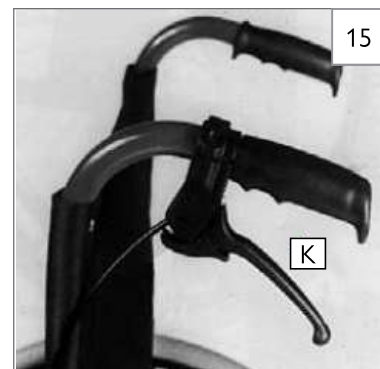


K. DRUM BRAKES 15

Drum brakes permit safe and convenient braking for an attendant. Squeeze the lever (K) to help assist with braking. Drum brakes are not influenced by air pressure inside the tires.

⚠ WARNING

- Risk of injury: Do not get your fingers caught in the brake mechanism.
- Drum brakes must only be adjusted by a Sunrise Medical authorized dealer.
- Always operate the two drum brakes simultaneously to guarantee the control of the driving direction!
- Drum brakes can only be used as a dynamic brake to stop the wheelchair while driving.
- Always engage the wheel locks to secure the wheelchair during a short or long stop, or for transfer.



VIII. USE AND MAINTENANCE

L. DUAL-POST ARMRESTS

16

17

1. Attachment or Removal

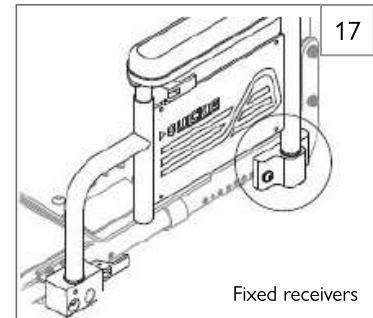
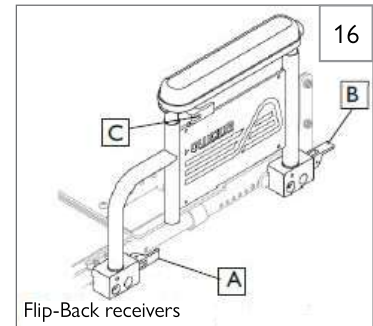
- The assembly is held securely in place when the securing lever (A) is facing outside.
- Pull front securing lever (A) forward to release.
- Insert or remove armrest.
- Return securing lever to locked position.

2. Height-Adjustment (optional)

- Release the upper securing lever (C).
- Set armrest at desired height.
- Return securing lever to locked position.
- Move armrest up or down to allow armrest to snap into place.

3. Flip Back (optional)

- Release the front securing lever only (A).
- Flip the armrest back, it remains attached to the rear receiver.
- To detach armrest completely pull rear securing lever (B) up.
- Move armrest down into place.
- Return securing lever to locked position.



M. HEIGHT-ADJUSTABLE ARMRESTS (Option)

18

1. Attachment

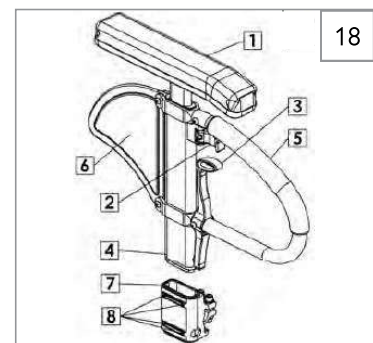
- Slide the outer armpost (4) into the receiver (7) mounted to the wheelchair frame.
- The armrest will automatically lock into place.

2. Height Adjustment

- Rotate release lever (2) to second stop.
- Slide armrest pad (1) up or down to desired height.
- Return lever (2) to locked position against armpost.
- Push arm pad down until upper armpost locks firmly into place.

3. Removing Armrest

- Grip release lever (3) and pull up to remove the armrest.



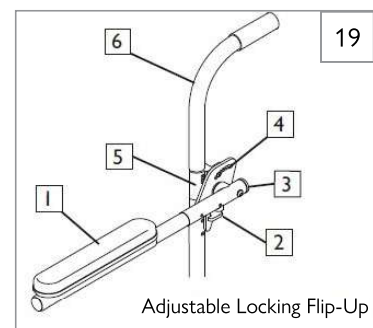
- Armrest pad
- Height Release Lever
- Release lever
- Outer armpost
- Transfer bar
- Side panel
- Receiver
- Receiver adjustment hardware

N. ADJUSTABLE LOCKING FLIP-UP ARMRESTS (Option)

19

1. Flip Up and Down

- Release the upper securing lever (2).
- Flip the armrest (1) back, it remains attached to the back post.
- Move armrest down into place.
- The lever (2) locks itself in position automatically.



- Armrest Pad
- Upper Securing Lever
- Flip-back tube
- Angle Adjust Bracket
- Clamp
- Back cane

O. LENGTH-ADJUSTABLE LOCKING FLIP-UP ARMRESTS 20 21

(Option)

1. Height Adjustable

- Remove the hex nuts from the armrests (A) and angle adjustment plate (B) to release the armrest and plate.
- Release the bolts from the arm mount (C).
- Move mount up or down the back post in 1-inch increments for desired height, or within the arm mount holes for 1/4-inch increments.
- Replace and tighten nuts and bolts.

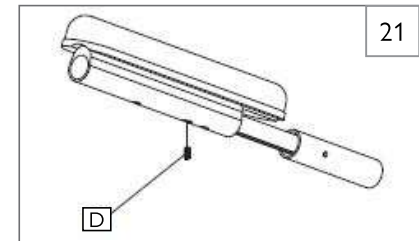
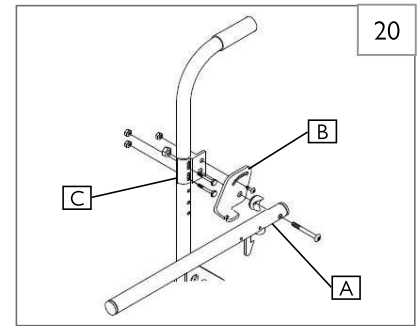
2. Angle Adjustment

- Loosen the hex nut from the angle adjustment plate (B).
- Tilt the armrest and plate to the desired angle.
- Tighten nut.

3. Length Adjustment

- Loosen set screw (D) on underside of adjustable armrest.
- Set armrest to desired length.
- Tighten set screw (D).

NOTE: Do not set length of armrest longer than frame depth.



P. SWING-AWAY HANGERS/FOOTRESTS 22

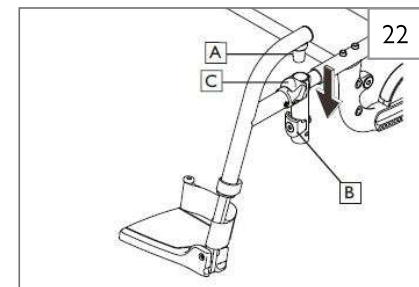
Swing-in-Swing-out Hangers and Footrests (60°, 70°, 80°)

1. Attachment

- Place swing-in/swing-out pivot saddle (A) into the receiver (B) on front frame tube with the footrest facing inward or outward from the frame.
- Rotate the footrest inward until it locks into place on locking plate.

2. Removal

- To remove footrest, release latch (C) by pulling lever upward or pushing lever downward.
- Rotate footrest inward or outward and lift.



Q. ARTICULATING LEGREST (Option) 23

Attachment or Removal

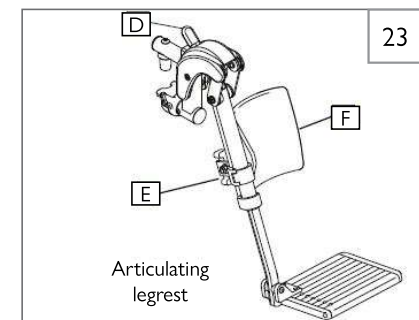
To attach or remove Articulating Legrest (ALR) see instructions for Swing-away Footrest attachment.

1. Elevation Adjustment

- To raise legrest, lift to desired position. Legrest will automatically lock in place.
- To lower legrest, while seated in chair, press release lever (D) down and lower legrest to desired position. Legrest will automatically lock in place.

2. Height Adjustment of the Calf Pad

- Rotate the tube clamp (E) towards the outside.
- Slide calf pad assembly up or down.
- Rotate calf pad assembly (F) back in the desired indented position.



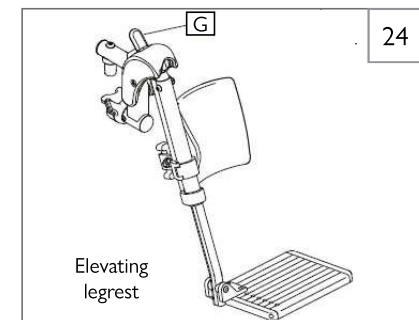
R. ELEVATING LEGREST (Option) 24

1. Attachment or Removal

To attach or remove Elevating Legrest (ELR) see instructions for Swing-away Footrest attachment.

2. Elevation Adjustment

- To raise legrest, lift to desired position. Legrest will automatically lock in place.
- To lower legrest, while seated in chair, press release lever (G) down and lower legrest to desired position. Legrest will automatically lock in place.



VIII. USE AND MAINTENANCE

S. TILT MECHANISM

25

26

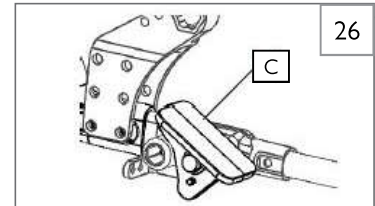
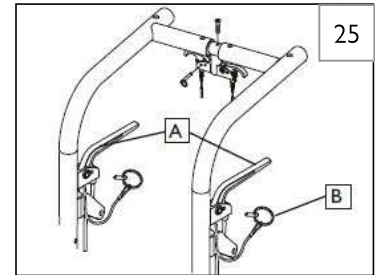
The tilt mechanism is assembled and attached by Sunrise Medical. Two cable/trigger mechanisms positively lock the chair in place from -5° to 20° or 0° to 25° depending on the set-up. **DO NOT ATTEMPT TO MAKE THIS ADJUSTMENT.** This adjustment must be done by a Sunrise Medical authorized dealer.

1. Trigger Tilt Operation

- Depressing both triggers (A) at the same time disengages the locking mechanism and allows the seat and back to rotate. Releasing the triggers positively locks the cylinders in place.
- To lock out the tilting function, insert the locking pin (B) into the trigger holder.

2. Foot Release

- Depressing foot pedal (C) disengages the locking mechanism and allows the seat and back to rotate. Releasing the foot pedal positively locks tilt angle in place.

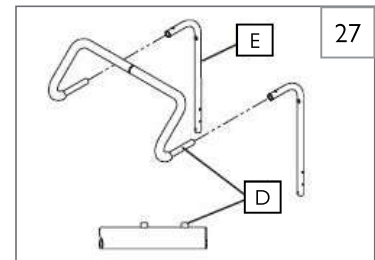


T. STROLLER HANDLE EXTENSION (Option)

27

Attachment

- Press button (D) on the stroller handle so that release pins are drawn inside the tube.
- Insert the tube into the back tube receiver (E) until the release pin protrudes through the receiver mounting hole.



U. RECLINING BACK

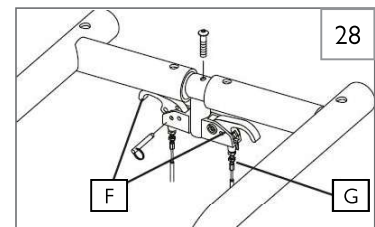
28

The dual trigger reclining mechanism is assembled and attached by Sunrise Medical.

To Recline or Raise Backrest

- Depress both triggers (F) at the same time. Releasing the triggers positively locks the backrest in place within its 0° - 50° range.
- To lock out the adjustment system, insert the locking pin (G) into the trigger holder.

NOTE - ALWAYS lock the dual trigger reclining mechanism securely in place after positioning the backrest.



V. INSPECT

Once the wheelchair is assembled and adjusted, it should roll smoothly and easily. All accessories should also perform smoothly. If you have any problems, follow these procedures:

- Review assembly and adjustment sections to ensure the chair was properly prepared.
- Review the troubleshooting guide.
- If your problem persists, contact your Sunrise Medical authorized dealer. If you still have a problem after contacting your authorized dealer, contact Sunrise Medical customer service. See the introduction page located in the front of this User's Manual for details on how to contact your Sunrise Medical authorized dealer, or Sunrise Medical customer service.

WARNING

The owner of this chair is responsible for ensuring that it has been setup and adjusted by a trained service professional under the advice of a healthcare provider. Service and/or adjustments should only be done with the advice of a healthcare provider. Always use parts and/or accessories that have been recommended and approved by Sunrise Medical when servicing this chair. Service and/or adjustments that require the use of tools, should only be done by a Sunrise Medical authorized dealer under the advice of a healthcare provider.

A. DEALER SERVICE INTRODUCTION 29

- At least once per year, this chair should have a complete inspection, safety check, and regular service made by a Sunrise Medical authorized dealer. The tool list at right is a good starting point for proper maintenance.
- If you have discovered a worn, bent, or damaged part, repair or replace them with recommended parts before returning this chair to service.
- All major maintenance and repair work should be done by a Sunrise Medical authorized dealer.

B. CRITICAL MAINTENANCE TIPS

1. Torque settings:

A torque setting is the optimum tightening which should be made on a particular fastener. It is important to use proper torque settings where specified. When not specified, torque settings should be: M5 fasteners = 5 Nm [44 in-lbs], M6 fasteners = 7 Nm [62 in-lbs], M8 fasteners = 10 Nm [88 in-lbs]. For all others torque setting should be 6.8 Nm [60 in-lbs].

2. Dealer Service and Adjustment Reference materials:

Go to www.sunrisemedical.com for parts manuals, instruction sheets, and instructional videos that will aid in the repair of your Quickie wheelchair.

C. CLEANING

- Paint Finish
 - Clean the painted surfaces with mild soap or detergent.
 - Protect the paint with a coat of non-abrasive auto wax.
- Axles and Moving Parts
 - Clean around axles and moving parts with a slightly damp (not wet) cloth.
 - Wipe off or blow away any fluff, dust or dirt on axles or moving parts.
 - DO NOT USE 3-in-ONE oil, or WD-40® for lubrication. Only use Teflon® based Lubricant when working on this wheelchair.

D. REAR AXLE 30

1. Rear Wheel Axle Adjustment

Tight axle sleeves should be maintained for proper performance of the wheelchair.

- To adjust the axle (A) you will need a 3/4-in wrench (B) to turn the outside axle nuts (C).
- You will also need a 1/2-in wrench to hold the the opposite end of the axle (D), and prevent the axle from turning, while you are adjusting the nut.
- Turn the outside axle nut clockwise to tighten.
- There should only be zero to ten thousandths of an inch (.010-in), or .25mm, of play.

2. Moving the Rear Axle for Weight Distribution

Weight distribution between the front and rear wheels is primarily adjusted by moving the rear axles forward or rearward on the frame. Moving the axles REARWARD provides better forward and rearward tipping stability. Moving the axles FORWARD shifts more of the rider's weight onto the REAR wheels, providing the following benefits: the front end of the wheelchair becomes lighter, thus reducing the turning effort, and with a shorter wheelbase the turning radius is reduced.

CAUTION - Moving the Rear axles can affect the stability of the chair, ALWAYS check stability with the rider before putting the chair into service.

IMPORTANT NOTE– The axle adjustment on each side of the chair should be equal.

NOTE– Use a torque setting of 13.6 Nm [120 in-lbs] when setting-up the axle plate.

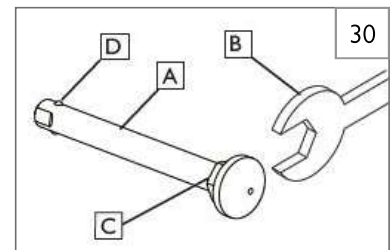


NOTE– The frame must be kept horizontal when height adjustments are made. Refer to matrix in the ordering guide for proper setting.



TOOLS YOU WILL NEED

- Imperial Hex key set
- Metric Hex key set
- Imperial Open-end Wrench set
- Metric Open-end Wrench set
- Torque wrench
- Imperial Hex bit Socket set
- Metric Hex bit Socket set
- Phillips and Flat screwdrivers
- Tire Pressure Gauge

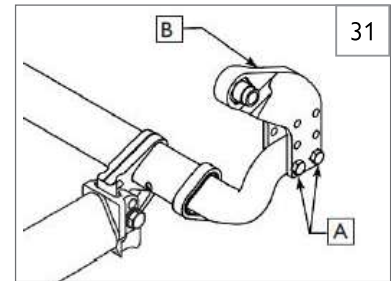


IX. DEALER SERVICE AND ADJUSTMENT

3. Axle Plate Orientation (for large center of gravity adjustments) 31

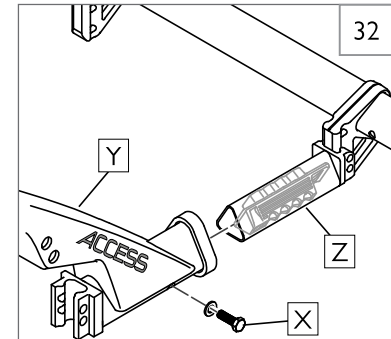
Note: The axle plate assembly may contain several components including spacers, nut plates, and wheel lock mounts. Take note of the position and orientation of each of these items so they are not misplaced and can be reinstalled correctly.

- a. Remove both wheels from the chair.
- b. Remove the bolts (A) from the axle plate (B) on both sides of the chair.
- c. Swap axle plates from side to side to achieve the desired axle plate orientation.
- d. Reinstall bolts (A) and tighten to 13.6 Nm [120 in-lbs].
- e. Reinstall nuts and tighten to 10.2 Nm [90 in-lbs].



4. Center of Gravity Adjustment (for small center of gravity adjustments) 32

- a. Remove both wheels from the chair.
- b. Remove bolts (X) from main pivot frame (Y) on both sides of the chair.
- c. Slide axle plate slide (Z) in or out to achieve required setting.
- d. Reinstall bolts and tighten to 7.3 Nm [65 in-lbs].



5. Axle Height Adjustment 31

- a. Loosen and remove bolts (A).
- b. Set axle at desired height using pre-set holes in the axle plate (B) on both sides.
- c. Replace and tighten bolts.

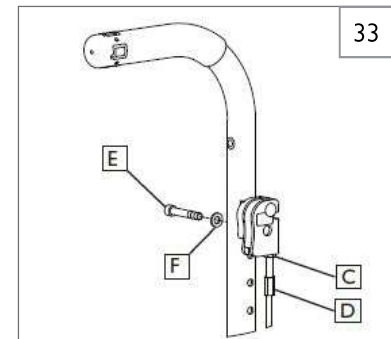
E. HUB LOCK ADJUSTMENT 33

To adjust the cables

1. Loosen jam nut (C) using a 10mm wrench.
2. Turn adjustment screw (D) in or out as necessary. Turning screw upward will loosen cable, turning downward will tighten cable.
3. Tighten again jam nut (C) against lever mount.
4. Repeat steps 1-3 for opposite side of chair as necessary.

To adjust lever position

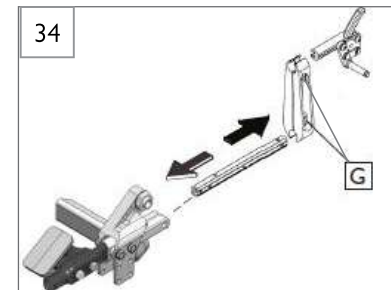
1. Remove socket screw (E) and washer (F) from lever and backrest.
2. Choose desired hole in backrest to mount lever and fasten again screw and washer.
3. Repeat steps 1-2 for opposite side of chair.



F. WHEEL LOCKS 34

Adjustment

1. Loosen the upper and lower screws (G).
2. Slide wheel lock and clamp assembly forward or back along the lower slide block to allow wheel lock to embed correctly into the tire to prevent wheel movement, when in the locked position.
3. Tighten screws (G).

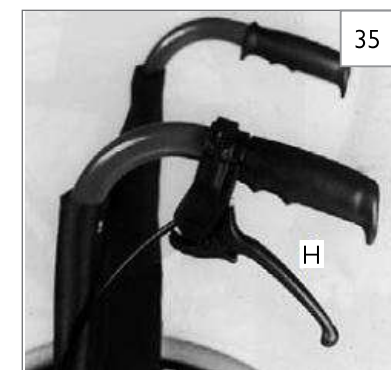


G. DRUM BRAKES 35

Drum brakes permit safe and convenient braking for an attendant. Squeeze the lever (H) to help assist with braking. Drum brakes are not influenced by air pressure inside the tires.

WARNING

- Risk of injury: Do not get your fingers caught in the brake mechanism.
- Drum brakes must only be adjusted by a Sunrise Medical authorized dealer.
- Always operate the two drum brakes simultaneously to guarantee the control of the driving direction!
- Drum brakes can only be used as a dynamic brake to stop the wheelchair while driving.
- Always engage the wheel locks to secure the wheelchair during a short or long stop, or for transfer.



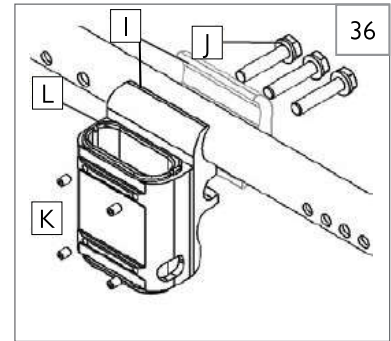
H. SINGLE-POST ARMREST RECEIVER 36**1. Adjusting Armrest Receiver Fit**

To tighten or loosen the fit of the armrest in the receiver:

- Loosen the 4 set screws (K) by using a 5/64-in Hex Key.
- With the armrest assembly in the receiver (L) press firmly on the outside of the receiver.
- Maintain pressure on the receiver and tighten again two of the set screws (K).
- Remove the armrest assembly and tighten again the remaining two set screws.
- The armrest will fit firmly in the receiver and lessen any noise that may result from vibration.

2. Moving the Receiver location

- Loosen the 3 bolts (J) holding the clamp halves (I) together (do not remove them).
- Slide the clamp so that armrest is at the correct position.
- Tighten the 3 bolts (J).

**I. ADJUSTABLE LOCKING FLIP-UP ARMRESTS** 37**1. Height Adjustment**

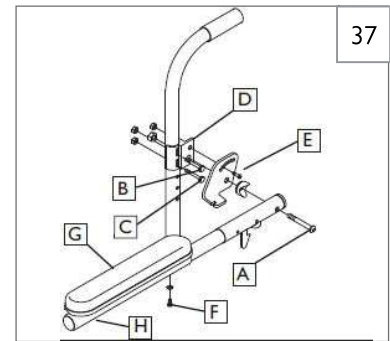
- Loosen bolt (A) and nut and remove flip-back tube.
- Loosen bolts (B, C) and remove clamp (D).
- Move the clamp (D) up or down to the desired position.
- Tighten bolts (B, C).
- Position the flip-back tube back in place and tighten bolt (A).
- Repeat the process for the other armrest.

2. Angle-Adjustment

- Loosen bolt (E).
- Set armrest at desired angle using preset holes in armrest angle plate.
- Tighten bolt (E).

3. Length-Adjustment (optional)

- Remove foam grip or armpad (G) from armrest.
- Loosen the nut and screw (F) in the adjustable flip-up tube.
- Reposition the sleeve (H) at the desired length.
- Tighten again the screw (F) and nut.
- Put foam grip or armpad (G) back in place.



IX. DEALER SERVICE AND ADJUSTMENT

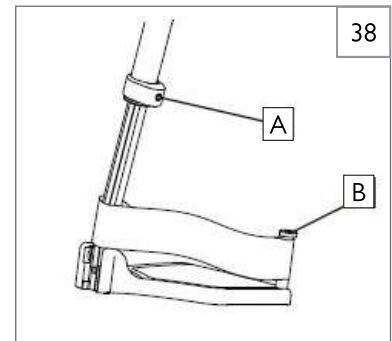
J. SWING-AWAY FOOTPLATE HEIGHT ADJUSTMENT

38

Height Adjustment

NOTE – It is recommended that you maintain a minimum of 2.0 inches between the lowest point on the footrest and the floor.

1. Loosen set screw (A) using a 3/16 inch hex key.
2. Slide footrest extension (B) up or down inside frame tube to desired height.
3. Tighten set screw (A). Use a torque setting of 16.3 Nm [144 in-lbs].

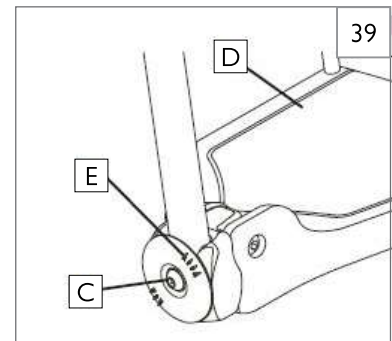


K. ANGLE ADJUSTABLE FOOTPLATE

39

1. Angle Adjustment of Composite Angle Adjustable Footplates

- a. Remove bolt (C)
- b. Pull footplate section (D) away from extension.
- c. Reposition footplate back onto extension in new angular position. Use premarked extension coupling (E) as guide.
- d. Insert again bolt (C) and tighten securely.



L. ARTICULATING LEGREST

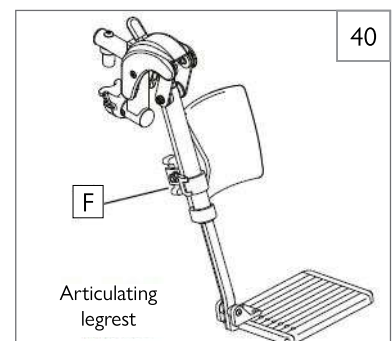
40

1. Height Adjustment of the Calf Pad

- a. Loosen the retaining nut (F) located at the back of the calf pad bracket assembly.
- b. Slide the calf pad bracket assembly up or down.
- c. Tighten the retaining nut (F) once the pad is in the desired position.

2. Height Adjustment with Extension Tube

- a. (See "Swing-away Height Adjustment" Section IX-J)



M. ELEVATING LEGREST

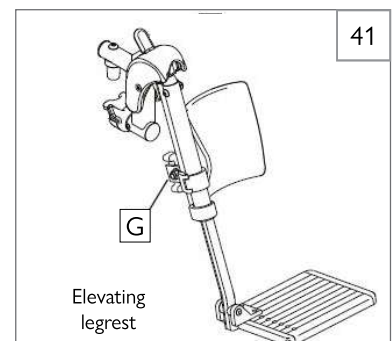
41

1. Height Adjustment of the Calf Pad

- a. Loosen the retaining nut (G) located at the back of the calf pad bracket assembly.
- b. Slide the calf pad bracket assembly up or down.
- c. Tighten the retaining nut (G) once the pad is in the desired position.

2. Height Adjustment with Extension Tube

- a. (See "Swing-away Height Adjustment" Section IX-J).



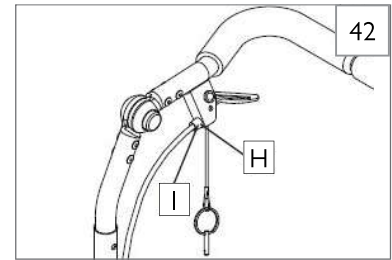
N. TILT MECHANISM 42

The tilt mechanism is set-up by Sunrise Medical. Two cable/trigger mechanisms positively lock the chair in place from -5° to 20° or 0° to 25° of forward tilt, depending on the set-up. Refer to Section IX:W Gas Spring Adjustment. The caregiver or user of this chair should not attempt to make a forward adjustment on their own. This adjustment must be performed by a Sunrise Medical authorized dealer.

1. Cable Adjustment

NOTE– Do not use lubricants on the components or assembly.

- Loosen the jam nut (H).
- Rotate the cable adjuster (I) until slack is removed from the cable. Make sure the plunger pin can fully extend and retract after adjustment and that pins engage the rocker when triggers are released.
- Tighten jam nut (H).

**O. STANDARD BACKREST**

1. Angle Adjustment 43

- Loosen pivot bolt (J).
- Loosen and remove angle adjustment bolt (K).
- Set backrest at desired angle using pre-set holes.
- Replace and tighten the front bolt (K).
- Tighten rear bolt (J).
- Repeat on other side.

IMPORTANT NOTE– The adjustment on each side of the chair should be exactly equal.

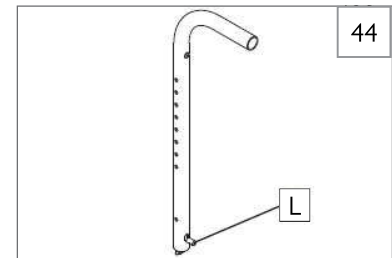
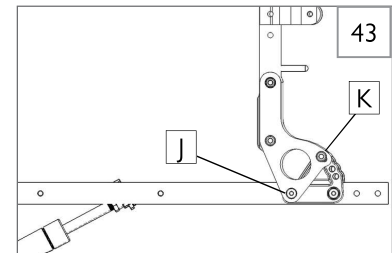
NOTE - Use a torque setting of 8.5 Nm [75 in-lbs] when setting-up the angle adjustment of the stroller handle.



NOTE - Backrest position may also need adjusting to maintain optimal CG alignment and stability.

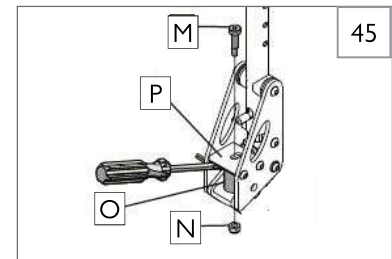
2. Flip-Down Back Function 44

- To fold the back down, pull-up the back release pins (L) and push the backrest forward.
- To lock it back in position, lift the backrest firmly until it locks in its original position.



3. Dynamic Backrest Elastomer Replacement 45

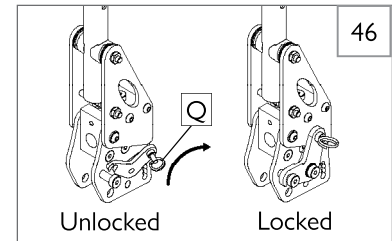
- Remove socket head screw (M) and lock nut (N).
- Using a flat head screw driver, gently pry out the elastomer (O) as shown.
- Firmly press the new desired elastomer into place, and align holes in elastomer with holes in plate (P).
- Replace and tighten screws removed above.

**WARNING**

If the chair is equipped with the Dynamic Backrest option, the lockout feature must be in the locked position on both push handles prior to any type of transport of the chair.

4. Dynamic Backrest Lock Engagement 46

- Pull key ring (Q) and swing lock downward to unlock backrest.
- Swing lock upward to lock the backrest.

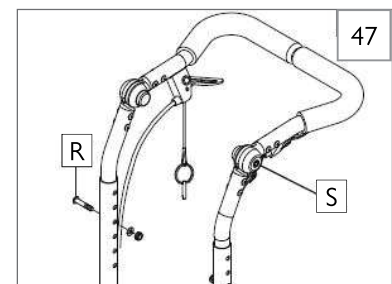
**P. FIXED STROLLER HANDLE** 47

5. Angle Adjustment of the Stroller Handle

Depress both black push buttons (S) at the same time. This disengages the stroller handle and allows it to rotate freely. Releasing the push buttons positively locks the adjustable stroller handle in the desired position.

6. Height Adjustment

- Remove both bolts (R) from the backrest tube (one on each side).
- Reposition backrest height.
- Tighten again both bolts (R) in the desired location.



IX. DEALER SERVICE AND ADJUSTMENT

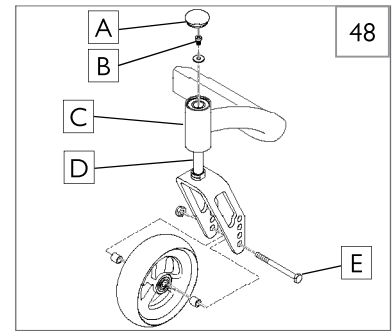
Q. CASTER/FORK ASSEMBLY 48**1. Attachment**

- Remove dust cover (A) from caster housing. Pry cover off using a back and forth motion.
- Caster assembly holds one screw (B) and one washer (immediately below the screw). Remove screw and washer.
- Insert caster stem (D) into caster housing (C) and place washer on stem.
- Replace screw (B) on caster stem and tighten until all play is removed; then loosen approximately 1/8 turn, allowing for free rotation.
- Replace dust cover (A) to caster housing (C).

2. Height Adjustment

- Loosen and remove bolt (E).
- Set axle at desired height using pre-set holes in the fork.
- Replace and tighten bolt (E).
- Repeat on other side.

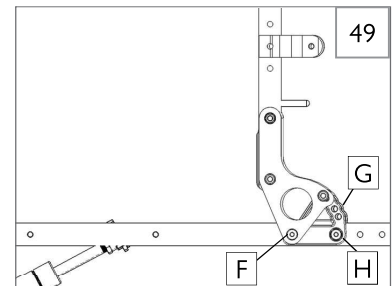
NOTE– The frame must be kept horizontal when height is adjusted. Refer to matrix in the ordering guide for proper setting. Refer to Section IX: D-4 for rear axle height adjustment.

**R. FRAME DEPTH****1. Back adjustment** 49

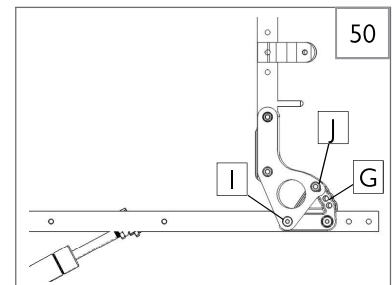
- Remove the screws (F & H) from the back mounting plate (G) on both sides of the chair.
- Slide the backrest along the seat rail to the same position on both sides.
- Replace and tighten the screws (F & H) to lock in the position on both sides of chair.

IMPORTANT NOTE– The adjustment on each side of the chair should be exactly equal.

NOTE– Use a torque setting of 13.6 Nm [120 in-lbs] when setting-up back depth adjustment.

**2. Back angle adjustment** 50

- Remove screw (J) and loosen screw (I) from the back mounting plate (G) on both sides of the chair.
- Adjust the backrest to the same position on both sides, using one of the three adjustment holes shown.
- Tighten the screws (I & J) to lock in the position on both sides of chair.



S. FRAME WIDTH

Rear suspension can affect the stability of the wheelchair. To avoid a fall, use a spotter and/or antitips when becoming familiar with new equipment.

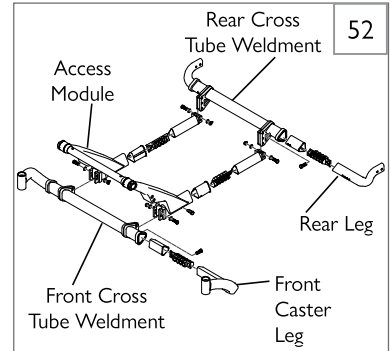
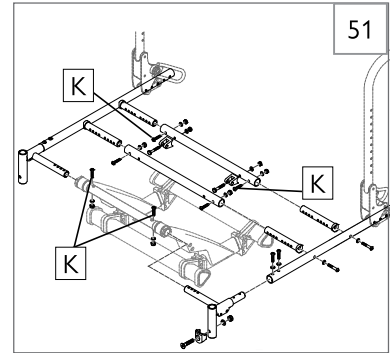
1. Width Adjustable Strut Tubes (Seat Frame) 51

- a. Remove the hardware (K) from all three strut tubes, and front portion of Access module. Adjust both seat rails in or out an equal distance.
- b. When both seat rails are adjusted equally, tighten all the hardware (K) to a torque setting of 17 Nm [150 in-lbs].



2. Width Adjustable Cross Tube Weldments (Base Frame) 52

- a. To adjust the width of the Base Frame, you will need to adjust the front and rear legs in or out to desired location.
- b. You will need to adjust equally, the Front Caster Legs and Rear Legs in or out in relation to both the Front and Rear Cross Tube Weldments.



T. SEAT PAN 53

The seat pan of the Access is designed to accommodate depth adjustment.

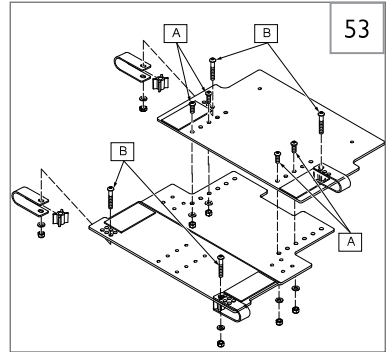
1. Depth adjustment:

- a. Loosen and remove all bolts (A).
- b. Loosen bolts (B).
- c. Adjust the seat pan to the desired depth.
- d. Replace and tighten all bolts.

NOTE– Use the holes that place the bolts as far away from each other as possible.

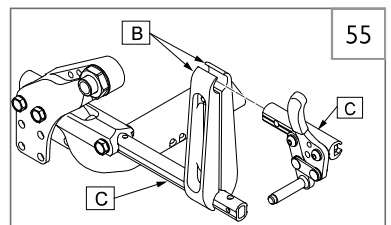
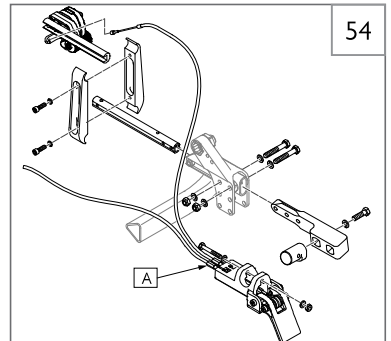
2. Width adjustment

- a. Loosen and remove all bolts (B).
- b. Adjust chair to the desired width.
- c. Replace and tighten all bolts.



U. ATTENDANT WHEEL LOCK 54 55

- 1. Adjust the cable adjustment screws (A) as necessary to ensure that the wheel locks can get to their fully extended position when the pedal is engaged. Position of the Attendant Wheel Lock Assembly may need to be fine-tuned to optimize the force needed to engage the pedal, depending on tire type. If excessive force is needed to engage the pedal, cable life may be reduced. Once proper adjustment is attained, lock cable adjustment screw (A) in position by tightening jam nuts against mounting block.
- 2. Additional adjustment of the Attendant Wheel Lock is also possible by adjusting position of wheel lock clamps (B) on slide blocks (C).



IX. DEALER SERVICE AND ADJUSTMENT

V. LAP BELT INSTRUCTIONS

56 57 58 59

NOTE– Lap belts are fitted as positional aids, and are not suitable as transportation restraints.

Positioning Belt Kit

The positioning belt kit contains: one positioning belt (A), three tri glide buckles (B), and two cable ties (C) (Fig. 56).

- To assemble the positioning belt, take the positioning belt strap and thread through the tri-glide. Repeat on both ends of positioning belt (Fig. 57).
- To fit the positioning belt to the chair, take the positioning belt strap and wrap around the back post (Fig. 58).
- Thread the positioning belt back through the tri-glide to form a loop around the back post. Thread positioning strap through tri-glide as shown (Fig. 58).
- To secure the positioning belt to the chair, take one of the cable ties supplied and thread through the positioning belt strap. Then wrap around the frame and fasten together. DO NOT over tighten positioning belt. Repeat steps 2-4 with both ends of positioning belt.
- To adjust the positioning belt use the tri-glide buckles and the fastening buckle.
- The positioning belt should be adjusted so the fastening buckle is situated in the middle of the stomach (Fig. 59).
- The positioning belt should be adjusted so a hand can be placed between the user and the belt (Fig. 59).

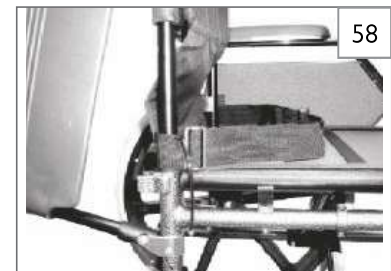
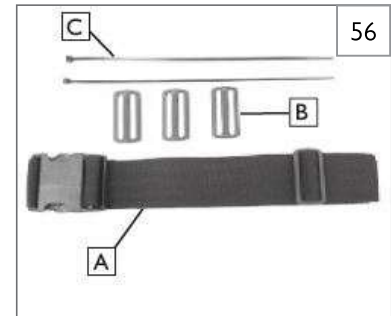
WARNING

The positioning belt must only be fitted by a Sunrise Medical authorized dealer. The positioning belt should only be adjusted by a professional, or a Sunrise Medical authorized dealer. The positioning belt must be checked on a daily basis to ensure it is adjusted correctly (see step 6) and is free from any obstruction or adverse wear. Sunrise Medical does not encourage the transportation of any person in a vehicle using this positioning belt as a method of restraint. Please see Sunrise Medical Transit Securement supplement for further advice on transportation.

Lap Belt Maintenance

Check lap belt and securing components at regular intervals for any sign of frays or damage. Replace if necessary.

NOTE– The lap belt should be adjusted to suit the end user as detailed above. Sunrise Medical recommends that the length and fit of the belt be checked on a regular basis to reduce the risk of the end user inadvertently re-adjusting the belt to an excessive length.



W. GAS SPRING ADJUSTMENT 60 61

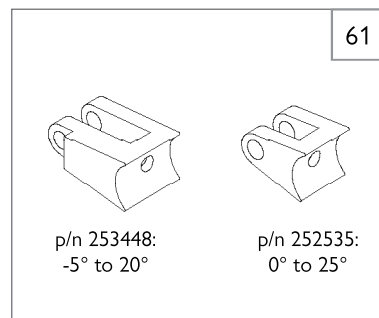
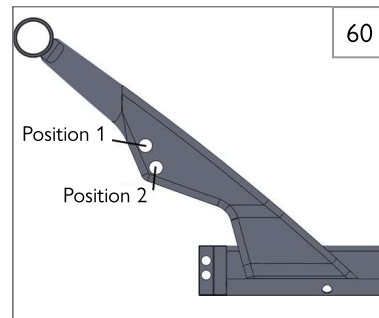
Refer to the tables below for Gas Spring Adjustment.

Determine correct configuration based on user's weight. Refer to table below and Fig. 60.

Configuration	User's Weight	Spring		Position	
		1 (p/n 251002)	2 (p/n 251003)	1	2
1	up to 150 lbs (up to 68 kg)	☑		☑	
2	151-180 lbs (69-82 kg)	☑			☑
3	181-210 lbs (83-95 kg)		☑	☑	
4	211-240 lbs (96-109 kg)		☑		☑
5	241-270 lbs (110-122 kg)		☑		☑
6	271-300 lbs (123-136 kg)		☑		☑

Determine correct part based on Tilt Configuration. Refer to table below and Fig. 61.

Tilt Configuration	User's Weight	Part Number
-5° to 20°	up to 300 lbs (136 kg)	253448
0° to 25°	up to 300 lbs (136 kg)	252535



X. INSPECT

Once the wheelchair is assembled and adjusted, it should roll smoothly and easily. All accessories should also perform smoothly. If you have any problems, follow these procedures:

1. Review assembly and adjustment sections to ensure the chair was properly prepared.
2. Review troubleshooting guide.
3. If your problem persists, contact your Sunrise Medical authorized dealer. If you still have a problem after contacting your authorized dealer, contact Sunrise Medical customer service. See the introduction page for details on how to contact your Sunrise Medical authorized dealer or Sunrise Medical customer service.

X. SUNRISE LIMITED WARRANTY

A. FOR LIFETIME:

Frame and cross-brace (if applicable) warranty:

1. Although the anticipated useful service time of this wheelchair is five years, Sunrise Medical guarantees the frame and cross brace against defects in material and workmanship for life or for as long as the original purchaser owns the chair.
2. This warranty does not apply if:
 - a. The chair is subject to abuse.
 - b. The chair is not maintained as recommended in the owner's manual.
 - c. The chair is transferred to a different person from the original owner.

B. FOR ONE (1) YEAR

We warrant all Sunrise-made parts and components of this wheelchair against defects in materials and workmanship for one year from the date of first consumer purchase.

Claims and repairs should be processed through the nearest Sunrise Medical authorized dealer. Except for express warranties made herein, all other warranties including implied warranties of merchantability and warranties of fitness for particular purpose are excluded. There are not warranties which extend beyond the description of the face hereof. Remedies for breach of express warranties herein are limited to repair or replacement of the goods. In no event shall damages for breach of any warranty include any consequential damages or exceed the cost of non-conforming goods sold.

C. LIMITATIONS

1. We do not warrant:
 - a. Tires and tubes, upholstery, pads and push-handle grips.
 - b. Damage from neglect, accident, misuse, or from improper installation or repair.
 - c. Products modified without Sunrise Medical's express written consent.
 - d. Damage from exceeding the weight limit.
2. This warranty is VOID if the original chair serial number tag is removed or altered.
3. This warranty applies in the USA and Canada only. Check with your supplier to find out if international warranties apply.
4. This warranty is not transferable and only applies to the first consumer purchase of this wheelchair through a Sunrise Medical authorized dealer.

D. WHAT WE WILL DO

Our sole liability is to repair or replace covered parts. This is the exclusive remedy for consequential damages.

E. WHAT YOU MUST DO

1. Obtain from us, while this warranty is in effect, prior approval for return or repair of covered parts.
2. Return the wheelchair or part(s), freight pre-paid to the designated Sunrise Medical location.
3. Pay the cost of labor to repair, remove or install parts.

F. NOTICE TO CONSUMER

1. If allowed by law, this warranty is in place of any other warranty (written or oral, express or implied, including a warranty of merchantability, or fitness for a particular purpose).
2. This warranty gives you certain legal rights. You may also have other rights that vary from state to state or province to province.

G. ADDITIONAL WARRANTY INFORMATION

For goods provided by Sunrise Medical Pty Ltd in Australia, our goods come with a guarantee by Sunrise that cannot be excluded under the Australian Consumer Law. You are entitled to a replacement or refund for a major failure and for compensation for any other reasonably foreseeable loss or damage. You are also entitled to have the goods repaired or replaced if the goods fail to be of acceptable quality and the failure does not amount to a major failure. The benefits to you given by this warranty are in addition to your other rights and remedies under a law in relation to the goods to which the warranty relates.

Record your serial number here for future reference:

Serial number label is located on the inner face of the pivot weldment.



NOTES

NOTES



Sunrise Medical S.r.l.
Via Riva, 20 – Montale
29122 Piacenza
Italia
Tel.: +39 0523 573111
www.SunriseMedical.it

Sunrise Medical AG
Erlenauweg 17
CH-3110 Münsingen
Schweiz/Suisse/Svizzera
Tel +41 (0)31 958 3838
www.SunriseMedical.ch

Sunrise Medical AS
Delitoppen 3
1540 Vestby
Norge
Telefon: +47 66 96 38 00
post@sunrisemedical.no
www.SunriseMedical.no

Sunrise Medical AB
Neogatan 5
431 53 Mölndal
Sweden
Tel.: +46 (0)31 748 37 00
post@sunrisemedical.se
www.SunriseMedical.se

MEDICCO s.r.o.
H – Park, Heršpická 1013/11d,
639 00 Brno
Czech Republic
Tel.: (+420) 547 250 955
Fax: (+420) 547 250 956
www.medicco.cz
info@medicco.cz
Bezplatná linka 800 900 809

Sunrise Medical Aps
Mærkærvej 5-9
2630 Taastrup
Denmark
+45 70 22 43 49
info@sunrisemedical.dk
www.SunriseMedical.dk

Sunrise Medical Australia
11 Daniel Street
Wetherill Park NSW 2164
Australia
Ph: +61 2 9678 6600
Email: enquiries@sunrisemedical.com.au
www.SunriseMedical.com.au

Sunrise Medical (US) LLC
North American Headquarters
12002 Volunteer Blvd.
Mount Juliet, TN 37122, USA
(800) 333-4000
(800) 300-7502
www.SunriseMedical.com



© 2025 Sunrise Medical (US) LLC
P/N 252849 Rev. C

Sunrise Medical GmbH
Kahlbachring 2-4
D-69254 Malsch
Deutschland
Tel.: +49 (0) 7253/980-0
Fax: +49 (0) 7253/980-222
www.SunriseMedical.de

Sunrise Medical Ltd.
Thorns Road
Brierley Hill
West Midlands
DY5 2LD
England
Phone: 0845 605 66 88
Fax: 0845 605 66 89
www.SunriseMedical.co.uk

Sunrise Medical S.L.
Polígono Bakiola, 41
48498 Arrankudiaga – Vizcaya
España
Tel.: +34 (0) 902142434
Fax: +34 (0) 946481575
www.SunriseMedical.es

Sunrise Medical Poland
Sp. z o.o.
ul. Elektronowa 6,
94-103 Łódź
Polska
Telefon: + 48 42 275 83 38
Fax: + 48 42 209 35 23
E-mail: pl@sunrisemedical.de
www.Sunrise-Medical.pl

Sunrise Medical B.V.
Defensiedok 20
3433 NE Nieuwegein
The Netherlands
T: +31 (0)30 – 60 82 100
F: +31 (0)30 – 60 55 880
E: info@sunrisemedical.nl
www.SunriseMedical.nl

Sunrise Medical HCM B.V.
Vossenbeemd 104
5705 CL Helmond
The Netherlands
T: +31 (0)492 593 888
E: customerservice@sunrisemedical.nl
www.SunriseMedical.nl
www.SunriseMedical.eu (International)

Sunrise Medical S.A.S
ZAC de la Vrillonnerie
17 Rue Mickaël Faraday
37170 Chambray-Lès-Tours
Tel : + 33 (0) 2 47 55 44 00
Email: info@sunrisemedical.fr
www.SunriseMedical.fr

Sunrise Medical Canada Inc.
1000 Creditstone Rd., Unit #2
Concord, ON, L4K 4P8
Canada
Phone: 1-800-263-3390
Fax: 1-800-561-5834
www.SunriseMedical.ca