

Mark For:

Date: _____
 Dealer Acct #: _____
 Dealer: _____
 Dealer Contact: _____
 Dealer Address: _____
 Dealer City: _____ ST: _____ ZIP: _____
 Dealer Phone: () _____ Fax: () _____
 Confirmation Email: _____
 Confirm Via: Fax Email

Submitting for:

Quote Order

PO#: _____
ADDITIONAL SHIPPING INFORMATION
 Ship To: _____
 Attention: _____
 Address: _____
 Address: _____
 Ship To City: _____ ST: _____ ZIP: _____
 Ship To Phone: () _____ Fax: () _____

The **HCPCS CODES** herein are based on PDAC verification or interpretation of Medicare definitions and guidelines. Non-Medicare payers may accept alternative **HCPCS CODES**, including misc. codes to ensure access for their enrollees. The use of **HCPCS CODES** does not ensure coverage or payment.



Head Positioning - Use HCPCS Code E0955

Whitmyer headrests come unassembled. Please add item WHITASSY001 if the dealer would like parts assembled. This is a no charge option.
 Note: For cover selection, **L** = Lycra and **V** = Dartex Reversed (Example: AXYS-HUFALL or AXYS-HUFALV)

			<input type="checkbox"/> Receiver must be selected on pg 2		<input type="checkbox"/> Receiver must be selected on pg 2		<input type="checkbox"/> Receiver must be selected on pg 2		<input type="checkbox"/> Receiver must be selected on pg 2
		PAD	AXYS	ONYX		LINX		LINX ²	
HEADS UP - COMMON SIZES	Fixed Arm	Large	<input type="checkbox"/> AXYS-HUFALL \$347	<input type="checkbox"/> ONYX-HUFALL \$347	<input type="checkbox"/> LINX-HUFALL \$347	<input type="checkbox"/> LINX2-HUFALL \$390			
			<input type="checkbox"/> AXYS-HUFALV \$347	<input type="checkbox"/> ONYX-HUFALV \$347	<input type="checkbox"/> LINX-HUFALV \$347	<input type="checkbox"/> LINX2-HUFALV \$390			
		Medium	<input type="checkbox"/> AXYS-HUFAML \$347	<input type="checkbox"/> ONYX-HUFAML \$347	<input type="checkbox"/> LINX-HUFAML \$347	<input type="checkbox"/> LINX2-HUFAML \$390			
			<input type="checkbox"/> AXYS-HUFAMV \$347	<input type="checkbox"/> ONYX-HUFAMV \$347	<input type="checkbox"/> LINX-HUFAMV \$347	<input type="checkbox"/> LINX2-HUFAMV \$390			
		Small	<input type="checkbox"/> AXYS-HUFASL \$347	<input type="checkbox"/> ONYX-HUFASL \$347	<input type="checkbox"/> LINX-HUFASL \$347	<input type="checkbox"/> LINX2-HUFASL \$390			
			<input type="checkbox"/> AXYS-HUFASV \$347	<input type="checkbox"/> ONYX-HUFASV \$347	<input type="checkbox"/> LINX-HUFASV \$347	<input type="checkbox"/> LINX2-HUFASV \$390			
	Early Intervention	<input type="checkbox"/> AXYS-HUFAEIL \$347	<input type="checkbox"/> ONYX-HUFAEIL \$347	<input type="checkbox"/> LINX-HUFAEIL \$347	<input type="checkbox"/> LINX2-HUFAEIL \$390				
		<input type="checkbox"/> AXYS-HUFAEIV \$347	<input type="checkbox"/> ONYX-HUFAEIV \$347	<input type="checkbox"/> LINX-HUFAEIV \$347	<input type="checkbox"/> LINX2-HUFAEIV \$390				
	Swing-Away Arms*	Large	<input type="checkbox"/> AXYS-HUSALL \$418	<input type="checkbox"/> ONYX-HUSALL \$418	<input type="checkbox"/> LINX-HUSALL \$418	<input type="checkbox"/> LINX2-HUSALL \$460			
			<input type="checkbox"/> AXYS-HUSALV \$418	<input type="checkbox"/> ONYX-HUSALV \$418	<input type="checkbox"/> LINX-HUSALV \$418	<input type="checkbox"/> LINX2-HUSALV \$460			
		Medium	<input type="checkbox"/> AXYS-HUSAML \$418	<input type="checkbox"/> ONYX-HUSAML \$418	<input type="checkbox"/> LINX-HUSAML \$418	<input type="checkbox"/> LINX2-HUSAML \$460			
			<input type="checkbox"/> AXYS-HUSAMV \$418	<input type="checkbox"/> ONYX-HUSAMV \$418	<input type="checkbox"/> LINX-HUSAMV \$418	<input type="checkbox"/> LINX2-HUSAMV \$460			
		Small	<input type="checkbox"/> AXYS-HUSASL \$418	<input type="checkbox"/> ONYX-HUSASL \$418	<input type="checkbox"/> LINX-HUSASL \$418	<input type="checkbox"/> LINX2-HUSASL \$460			
			<input type="checkbox"/> AXYS-HUSASV \$418	<input type="checkbox"/> ONYX-HUSASV \$418	<input type="checkbox"/> LINX-HUSASV \$418	<input type="checkbox"/> LINX2-HUSASV \$460			
Early Intervention		<input type="checkbox"/> AXYS-HUSAEIL \$418	<input type="checkbox"/> ONYX-HUSAEIL \$418	<input type="checkbox"/> LINX-HUSAEIL \$418	<input type="checkbox"/> LINX2-HUSAEIL \$460				
		<input type="checkbox"/> AXYS-HUSAEIV \$418	<input type="checkbox"/> ONYX-HUSAEIV \$418	<input type="checkbox"/> LINX-HUSAEIV \$418	<input type="checkbox"/> LINX2-HUSAEIV \$460				

Head Positioning - Use HCPCS Code E0955

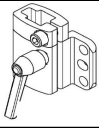



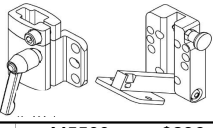
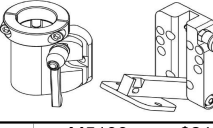
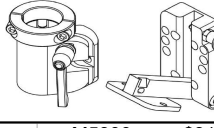
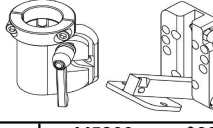
Whitmyer headrests come unassembled. Please add item WHITASSY001 if the dealer would like parts assembled. This is a no charge option.

			<input type="checkbox"/> Receiver must be selected on pg 2		<input type="checkbox"/> Adult - 15" <input type="checkbox"/> Peds - 11" <input type="checkbox"/> EI - 10"		<input type="checkbox"/> Adult - 15" <input type="checkbox"/> Peds - 11" <input type="checkbox"/> EI - 10"
		PAD	PRO	COBRA		COBRA-FB	
HEADS UP - COMMON SIZES	Fixed Arm	Large	<input type="checkbox"/> PRO-HUFALL \$390	<input type="checkbox"/> COBRA-HUFALL \$624	<input type="checkbox"/> FBCOB-HUFALL \$744		
			<input type="checkbox"/> PRO-HUFALV \$390	<input type="checkbox"/> COBRA-HUFALV \$624	<input type="checkbox"/> FBCOB-HUFALV \$744		
		Medium	<input type="checkbox"/> PRO-HUFAML \$390	<input type="checkbox"/> COBRA-HUFAML \$624	<input type="checkbox"/> FBCOB-HUFAML \$744		
			<input type="checkbox"/> PRO-HUFAMV \$390	<input type="checkbox"/> COBRA-HUFAMV \$624	<input type="checkbox"/> FBCOB-HUFAMV \$744		
		Small	<input type="checkbox"/> PRO-HUFASL \$390	<input type="checkbox"/> COBRA-HUFASL \$624	<input type="checkbox"/> FBCOB-HUFASL \$744		
			<input type="checkbox"/> PRO-HUFASV \$390	<input type="checkbox"/> COBRA-HUFASV \$624	<input type="checkbox"/> FBCOB-HUFASV \$744		
	Early Intervention	<input type="checkbox"/> PRO-HUFAEIL \$390	<input type="checkbox"/> COBRA-HUFAEIL \$624	<input type="checkbox"/> FBCOB-HUFAEIL \$744			
		<input type="checkbox"/> PRO-HUFAEIV \$390	<input type="checkbox"/> COBRA-HUFAEIV \$624	<input type="checkbox"/> FBCOB-HUFAEIV \$744			
	Swing-Away Arms*	Large	<input type="checkbox"/> PRO-HUSALL \$471	<input type="checkbox"/> COBRA-HUSALL \$707	<input type="checkbox"/> FBCOB-HUSALL \$825		
			<input type="checkbox"/> PRO-HUSALV \$471	<input type="checkbox"/> COBRA-HUSALV \$707	<input type="checkbox"/> FBCOB-HUSALV \$825		
		Medium	<input type="checkbox"/> PRO-HUSAML \$471	<input type="checkbox"/> COBRA-HUSAML \$707	<input type="checkbox"/> FBCOB-HUSAML \$825		
			<input type="checkbox"/> PRO-HUSAMV \$471	<input type="checkbox"/> COBRA-HUSAMV \$707	<input type="checkbox"/> FBCOB-HUSAMV \$825		
		Small	<input type="checkbox"/> PRO-HUSASL \$471	<input type="checkbox"/> COBRA-HUSASL \$707	<input type="checkbox"/> FBCOB-HUSASL \$825		
			<input type="checkbox"/> PRO-HUSASV \$471	<input type="checkbox"/> COBRA-HUSASV \$707	<input type="checkbox"/> FBCOB-HUSASV \$825		
Early Intervention		<input type="checkbox"/> PRO-HUSAEIL \$471	<input type="checkbox"/> COBRA-HUSAEIL \$707	<input type="checkbox"/> FBCOB-HUSAEIL \$825			
		<input type="checkbox"/> PRO-HUSAEIV \$471	<input type="checkbox"/> COBRA-HUSAEIV \$707	<input type="checkbox"/> FBCOB-HUSAEIV \$825			

*See Page 2 for all configurations available

Mounting Brackets - Use HCPCS Code E1033

Head Support System Mounting Brackets must be ordered separately, except for COBRA

	AXYS	ONYX	LINX & LINX ²	PRO	COBRA mounting system includes detachable mounting bracket
REMOVABLE MOUNTING BRACKET <small>(PART SOLD SEPARATELY FROM POST & PAD)</small>					
Detachable	<input type="checkbox"/> M2500S \$124	<input type="checkbox"/> M2100-WBS \$101	<input type="checkbox"/> M2300S \$194	<input type="checkbox"/> M2200-WBS \$218	
REMOVABLE & SWING-AWAY MNT BRACKET <small>(PART SOLD SEPARATELY FROM POST & PAD)</small>					
Swing-Away	<input type="checkbox"/> M5500 \$236	<input type="checkbox"/> M5100 \$218	<input type="checkbox"/> M5300 \$312	<input type="checkbox"/> M5200 \$336	

HEADS UP - HEAD AND NECK POSITIONING SYSTEM ORDERING GUIDE

Head Support System Mounting Brackets must be ordered separately, except for COBRA

STEP 1: SELECT HARDWARE SYSTEM

							
	<input type="checkbox"/> AXYS-HU-	<input type="checkbox"/> ONYX-HU-	<input type="checkbox"/> LINX-HU-	<input type="checkbox"/> LINX2-HU-	<input type="checkbox"/> PRO-HU-	<input type="checkbox"/> COBRA-HU-	<input type="checkbox"/> FBCOB-HU-
W/O OCC Pad	\$418	\$418	\$418	\$460	\$471	\$707	\$825
W/ OCC Pad	\$536	\$536	\$536	\$577	\$590	\$825	\$944

STEP 2: SELECT NECK WIDTH


<input type="checkbox"/> I = Infant 3.3" wide <input type="checkbox"/> S = Small 4" wide <input type="checkbox"/> M = Medium 4.6" wide <input type="checkbox"/> L = Large 5.8" wide

STEP 4: SELECT SWING OUT SUPPORT ARM LENGTH


<input type="checkbox"/> S = Short <input type="checkbox"/> L = Long <i>Infant & Small: Short = 5.63" Long = 7.25"</i> <i>Medium & Large: Short = 7" Long = 9"</i>

STEP 5: SELECT FOAM TYPE

<input type="checkbox"/> S = Standard <input type="checkbox"/> C = Comfort

STEP 6: SELECT COVER

<input type="checkbox"/> L = Lycra Neoprene <input type="checkbox"/> V = Dartex Reversed

STEP 7: SELECT OPTIONAL OCC PADS

Available on Short Heights Only




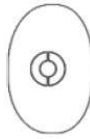




<input type="checkbox"/> -O5 = Pediatric 5" Pad (Short Infant Sizes)
<input type="checkbox"/> -O6 = Adult 6" Pad (Short Small Sizes)
<input type="checkbox"/> -O8 = Plush 8" Pad (Short Medium Sizes)
<input type="checkbox"/> -O10 = Plush 10" Pad (Short Large Sizes)
<input type="checkbox"/> N/A

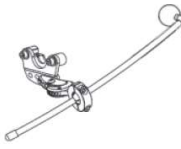
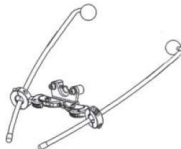

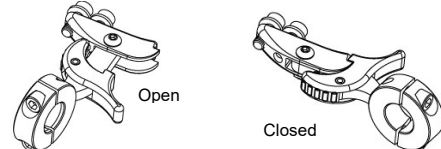
STEP 3: SELECT CONTOUR CRADLE HEIGHT

	Short shown with Occipital Pad (Step 7)
<input type="checkbox"/> T = Tall <input type="checkbox"/> S = Short	

BUILD YOUR HEADS UP SMART PART NUMBER

STEP 1 Enter Hardware System Part Number	
STEP 2 Enter I, S, M, or L	
STEP 3 Enter T or S	
STEP 4 Enter S or L	
STEP 5 Enter S or C	
STEP 6 Enter L or V	
STEP 7 (Optional) Enter -O5, -O6, -O8, or -O10	

Lateral Facial Supports										
Note: Cover Selection - Add L = Lycra or V = Dartex Reversed (Example: LFC-PLL)										
										
	2"	2.25" x 5"	2.25" x 7"	4" x 6"	2" x 6"	1.75" x 5"	1.25" x 4"			
	SPOT	STANDARD	LONG	OVAL	LARGE-C	MED-C	SMALL-C	FSO-8		
Unilateral	<input type="checkbox"/>	LFC10-CSL \$259 LM115S \$94	LFC15-CSL \$259 LM115S \$94	LFC20-CSL \$259 LM115S \$94	LFC25-CSL \$259 LM115S \$94	LFC30-CSL \$259 LM115S \$94	LFC35-CSL \$259 LM115S \$94	LFC40-CSL \$259 LM115S \$94	<input type="checkbox"/>	LFC80-CS \$301 LM115S \$94
	<input type="checkbox"/>	LFC10-CSV \$259 LM115S \$94	LFC15-CSV \$259 LM115S \$94	LFC20-CSV \$259 LM115S \$94	LFC25-CSV \$259 LM115S \$94	LFC30-CSV \$259 LM115S \$94	LFC35-CSV \$259 LM115S \$94	LFC40-CSV \$259 LM115S \$94		LFC80-CS2 \$552 LM115S \$94 LM115S \$94
Bilateral	<input type="checkbox"/>	LFC10-CS2L \$483 LM115S \$94 LM115S \$94	LFC15-CS2L \$483 LM115S \$94 LM115S \$94	LFC20-CS2L \$483 LM115S \$94 LM115S \$94	LFC25-CS2L \$483 LM115S \$94 LM115S \$94	LFC30-CS2L \$483 LM115S \$94 LM115S \$94	LFC35-CS2L \$483 LM115S \$94 LM115S \$94	LFC40-CS2L \$483 LM115S \$94 LM115S \$94	<input type="checkbox"/>	LFC80-CS2 \$552 LM115S \$94 LM115S \$94
	<input type="checkbox"/>	LFC10-CS2V \$483 LM115S \$94 LM115S \$94	LFC15-CS2V \$483 LM115S \$94 LM115S \$94	LFC20-CS2V \$483 LM115S \$94 LM115S \$94	LFC25-CS2V \$483 LM115S \$94 LM115S \$94	LFC30-CS2V \$483 LM115S \$94 LM115S \$94	LFC35-CS2V \$483 LM115S \$94 LM115S \$94	LFC40-CS2V \$483 LM115S \$94 LM115S \$94		
Pad Only*	<input type="checkbox"/>	PL10LS \$84	PL15LS \$118	PL20LS \$118	P600LS \$118	PL30LS \$118	PL35LS \$118	PL40L \$106		N/A
	<input type="checkbox"/>	PL10VS \$84	PL15VS \$118	PL20VS \$118	P600VS \$118	PL30VS \$118	PL35VS \$118	PL40V \$106		

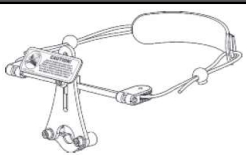

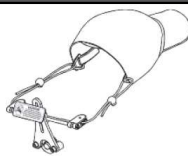
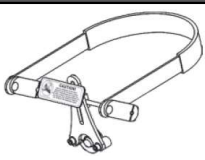
Lateral Facial Supports			
MOUNTING HARDWARE			
	Unilateral	Bilateral	Infinity Mount
			
			Swing-Away Mount LM115S

LATERAL FACIAL SUPPORT PARTS


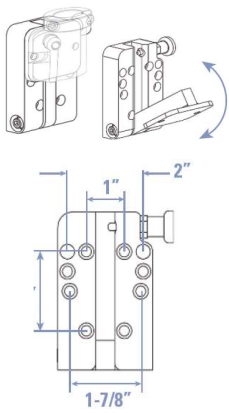
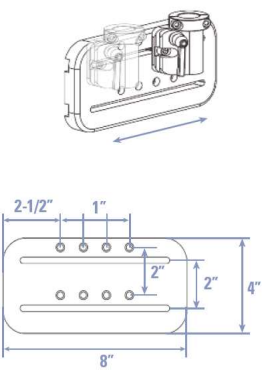
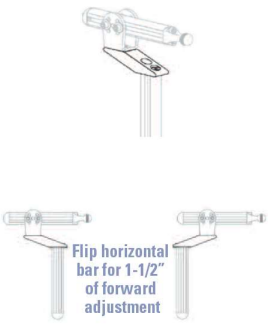
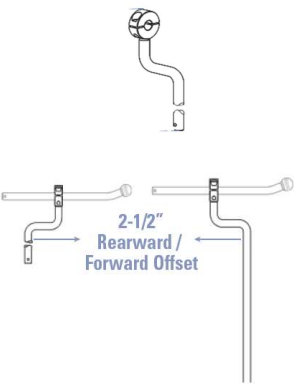
*Note: If ordering an additional Lateral Facial Support, select both a Lateral Facial Support Pad Only from page 3 and an Infinity Mount from below as well

✓	Option #	Definition	Price
<input type="checkbox"/>	242161	Infinity Dual Mount Assembly*	\$230
<input type="checkbox"/>	LM1010S	Lateral Facial Support*	\$148

ANTERIOR HEAD SUPPORT

				
	DYNAMIC FOREHEAD STRAP	DFS²	STRAP CAP	STATIC FOREHEAD STRAP
ADULT	<input type="checkbox"/>	DFS10 \$341	<input type="checkbox"/>	DFSQ10S \$412
PEDS	<input type="checkbox"/>	DFS30 \$341	<input type="checkbox"/>	DFSQ30S \$412
			<input type="checkbox"/>	CAP10 (black) \$471
			<input type="checkbox"/>	CAP30-R (red) \$471
			<input type="checkbox"/>	CAP30-B (blue) \$471
			<input type="checkbox"/>	HU10 \$371

MOUNTING OPTIONS

				
<p>FLEX INTERFACE BRACKET</p>	<p>UNIVERSAL SWING-AWAY MOUNT</p>	<p>SLIDE MOUNT</p>	<p>PRO OFF-SET MOUNTING SYSTEM</p>	<p>ONYX REARWARD OFF-SET VERTICAL ROD</p>

<input type="checkbox"/>	M9450S (hard)	\$218	<input type="checkbox"/>	M5000S	\$118	<input type="checkbox"/>	M7010S	\$112	<input type="checkbox"/>	PRC7070	\$192	<input type="checkbox"/>	OX6030	\$71
<input type="checkbox"/>	M9451 (soft)	\$218												

TOOLS

✓	Option #	Definition	Price
<input type="checkbox"/>	BOLT LUBE	Bolt Lube	\$10.00
<input type="checkbox"/>	T2500S	Tool Kit	\$8.00

Pad Styles

<p>HEADS UP COMMON SIZES</p>	 <p>Large HU-L 5.8" Neck Width 9" Long Arms Standard Foam</p>	 <p>Medium HU-M 4.6" Neck Width 9" Long Arms Standard Foam</p>	 <p>Small HU-S 4" Neck Width 5.6" Short Arms Standard Foam</p>	 <p>Early Intervention HU-I 3.3" Neck Width 5.6" Short Arms Standard Foam</p>
-------------------------------------	--	--	--	---



Sunrise Medical (US) LLC
12002 Volunteer Blvd. · Mount Juliet, TN 37122 · USA