



Rider Information

Name: _____

Phone: _____

Email: _____

Height: _____ Weight: _____

Current Chair: _____ Current Cushion: _____

Ability/Diagnosis: _____

RGK Contact Authorization:

RGK would like to send you exclusive information, news and promotional offers on RGK.

I would like to be contacted by RGK:

Signature: _____ Date: _____

*We do not pass your personal information onto any third party.

Account Information

Account Name : _____

Account #: _____ PO#: _____

Contact Name : _____

Phone: _____

Email: _____

Ship to: **Account** **Rider**

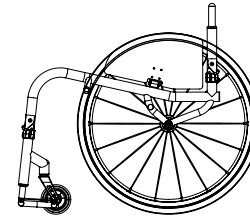
Name: _____

Address: _____

RGK Genius: _____

Frame Styles

FXTXZ010 XA070 XW009 XW011 XW012 XW010	Octane FX (Max User Weight 110kg/242lbs. HCPCS K0005) Open design Quote Only (No CAD for Approval) Order Only (No CAD for Approval) Quote CAD drawing for approval Order CAD drawing for approval (1st CAD is NCO. Additional CADs XW010-A \$100) CAD approved by: Customer RGK Genius	\$6,535 STD STD STD \$442 NCO
---	--	--



Open Design

Measurements

Please Note: All RGK chairs are hand built and have a manufacturing tolerance of +/- 5mm (.25). All measurements can be done in 5mm (.25") increments.

Please select either Millimeters or Inches.

Measurements: Millimeters (mm.) Inches (in.)

XY010 Rear Seat Width Measured from inside of side guard to inside of opposite side guard. Or outside seat tube to outside of opposite seat tube near backrest. (Min. 250mm/9.84" and Max. 460mm/18.11")

Current Chair: mm. in. New Chair: mm. in.

XY020 Seat Depth/Seat Length Measured from front of back post to the front edge of seat sling. Frame bend will start .5" in front of seat sling unless Extra Frame Length requested. (Min. 250mm/9.84" and Max. 470mm/18.5")

Current Chair: mm. in. New Chair: mm. in.

XY030 Extra Frame Length Measured from front edge of seat sling to beginning of Front frame bend. (Max. 470mm/18.5" Seat length + Extra seat length)

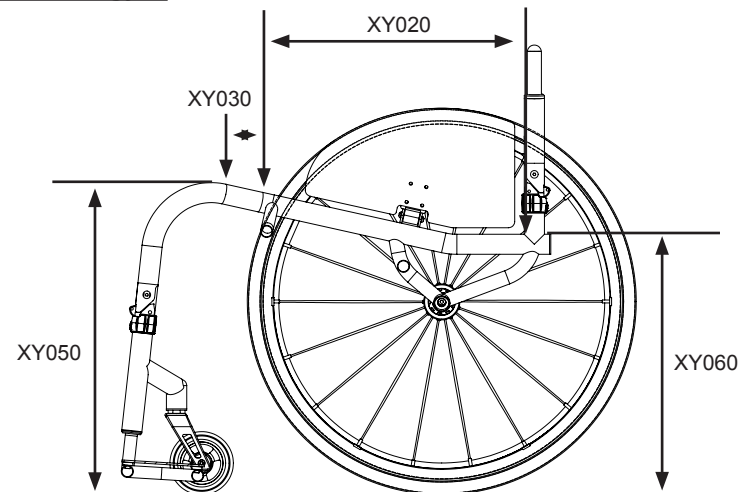
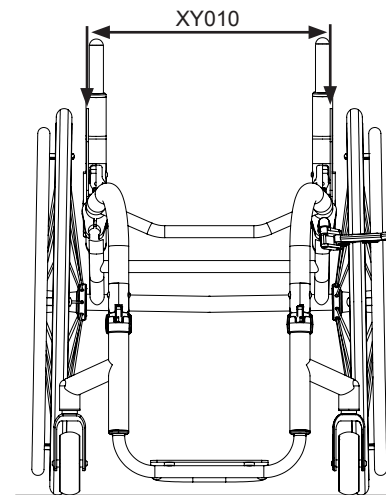
Current Chair: mm. in. New Chair: mm. in.

XY050 Front Frame Height Measured from floor to apex of seat tube. (Min. 480mm/18.89" and Max. 550mm/21.65")

Current Chair: mm. in. New Chair: mm. in.

XY060 Rear Frame Height Measured from floor to top of seat tube at back edge of seat sling. (Min. 360mm/14.17" and Max. 550mm/21.65")

Current Chair: mm. in. New Chair: mm. in.



Design Template

XY231 Backrest Height Measured from top of seat tube at rear of frame to top of back-post.

Current Chair: New Chair:

XY360 Backrest Angle Measured as the angle from top front of the backrest tube to the floor. (Max. -10° to +10°) -5° -3° 0° 3° 5°

Current Chair: New Chair:

XG110 Inward Taper Measured from inside backrest tube to inside of opposite backrest tube at the top of the backrest. \$84

Current Chair: New Chair:

XG100 Ergonomic Backrest Measured from top of seat tube at rear of frame to the start of the rearward bend of back-post. \$84

Current Chair: New Chair:

XG120 Outward Flare Measured from inside backrest tube to inside of opposite backrest tube at the top of the backrest. \$84

Current Chair: New Chair:

XY390 Camber Angle Place a straight edge across the outside of rear wheel and use an angle finder to show the degree of camber.

Current Chair:	0°	New Chair:	XY396	0°
	1°		XY397	1°
	2°		XY398	2°
	3°		XY399	3°
	5°		XY400	5°

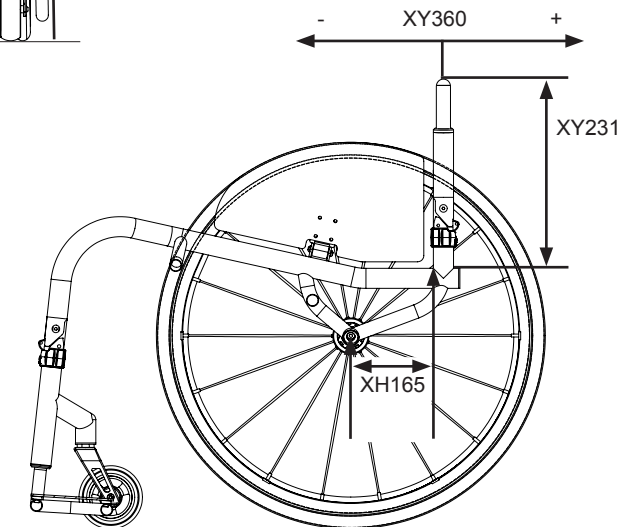
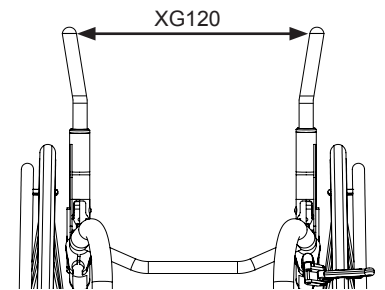
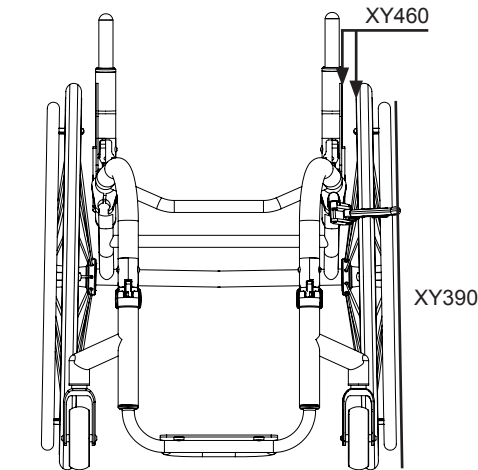
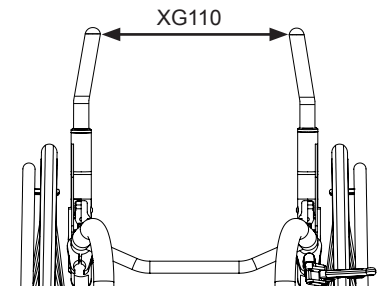
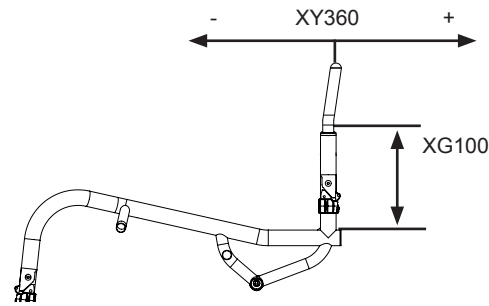
XH165 Center of Gravity Measured from front of back post at the seat tube to the centerline of the rear axle.

Current Chair: New Chair:

XY460 Rear Wheel Gap Measured from outer most point of chair (seat back post, side guard or armrest) to inside of rear tire.

Current Chair:	.6"(15)	New Chair:	XY464	.6"(15)
	.78"(20)		XY465	.78"(20)
	1"(25)		XY466	1"(25)

FXTXY462 Individual rear wheel gap



Design Template

XY069 Overall Footprint Measured from the most rearward point of the chair to the most forward point of the chair.

Current Chair:

New Chair:

XY071 Wheelbase Measured from the vertical centerline of the front wheel to the centerline of the rear wheel.

Current Chair:

New Chair:

Rear Wheel Size

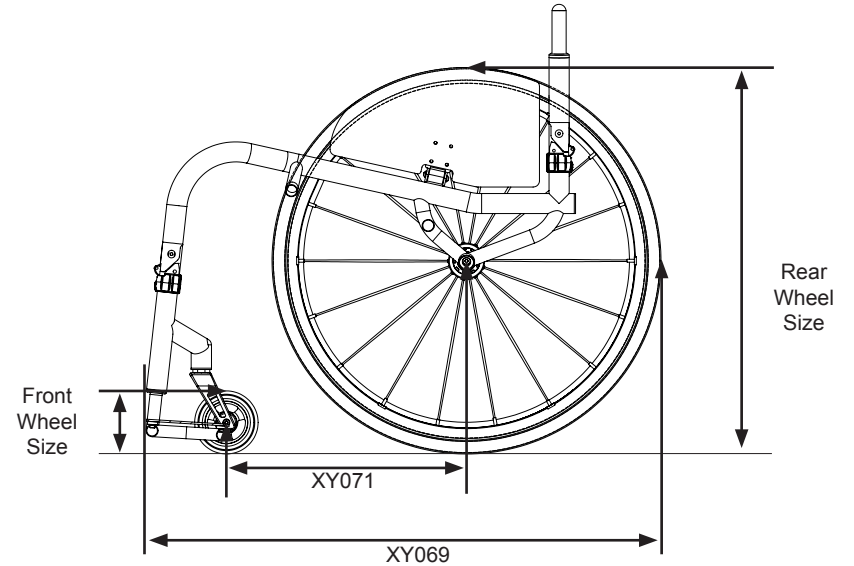
Current Chair: 24" (540)
25" (559)

New Chair: XY420 24" (540)
XY430 25" (559)

Front Wheel Size

Current Chair: 4" (100)
5" (127)
6" (152)

New Chair: 4" (100)
5" (127)
6" (152)



Footrest Design

XY100	Round Design	STD
XY105	Square Design	NCO

Footrest Styles

FXTXB080	Tubular footrest welded into frame aluminum plate (No height adjustment)	STD
FXTXB110	Tubular footrest welded into frame with carbon fiber footplate (No height adjustment)	\$139
	XB050 Lightweight 3k Carbon Fiber Footrest cover	STD
	XB155 Lightweight Spinerdy CX6 Cast Carbon Fiber Footrest cover	NCO
FXTXB120	Clamp-on aluminum plate footrest (Angle and height adjustment)	STD
XB165	Rubber grip tape (3M Safety walk. Not available with XB030)	\$38

Front Wheels

XC060	Aluminum Center 4"x1.3" (Black hub only)	STD
XC110	Aluminum Center 4"x1" (Silver hub only)	\$133
XC135	Aluminum Center 4"x1.25"	\$133
	XC1131 Sliver hub & black tire	
	XC1132 Black hub & black tire	
	XC1133 Purple hub & black tire	
	XC1134 Green hub & black tire	
	XC1135 Red hub & black tire	
	XC1136 Blue hub & black tire	
XC155	4" x 1.25" Spinerdy CX6 Cast Carbon fiber front wheel	\$133
XC070	Soft roll 5"x1.3"	NCO
XC100	Pneumatic Aluminum Center 5"x1"	\$149

Design Template

XC120	Aluminum Center 5"x1"					\$133
XC140	Aluminum Center 5"x1.4" (Sliver hub & black tire)					\$133
XC145	Aluminum Center 6"x1.4" (Sliver hub & black tire)					\$133
Forks						
XC190	Low Ride Fork					STD
XC192	High Trail fork					NCO
XC210	Froglegs suspension fork					\$484
	XC211 Black fork					STD
	XC212 Silver fork					NCO
Wheel Lock						
XD020	Underseat Scissor					NCO
XD030	Compact Scissor					\$105
XD035	Compact Scissor with Direct Mount					\$123
XD050	Push To Lock					NCO
XD085	Eagle (Indicate color)					\$227
XD086	Eagle with Direct Mount (Indicate color)					\$246
	XD088 Black	XD089 Purple	XD090 Red	XD091 Blue		
XD010	Omit Wheel Lock					NCO
Side Guards						
XE080	Lift out aluminum					\$425
FXTXE130	Fold flat aluminum					\$368
XE100	Lift Out 3k Carbon Fiber					\$575
XE106	Lift Out Spinerger CX6 Cast Carbon fiber					\$575
FXTXE150	Fold flat 3k carbon fiber					\$596
XE155	Fold flat Spinerger CX6 Cast Carbon fiber					\$596
XE120	Lift out ABS plastic					\$275
FXTXE170	Fold flat ABS plastic					\$368
	XEM05 25mm above tire (Follow tire)					NCO
	XEM06 Individual above tire (Follow tire - max. 25mm)					NCO
	XEM02 Level with tire					STD
	XEM07 Side guard length					STD
	XEM08 Side guard height					STD
XE090	Lift out aluminum with fender					\$461
FXTXE140	Fold flat aluminum with fender					\$404
XE110	Lift Out 3k Carbon Fiber with fender					\$669
XE211	Lift Out Spinerger CX6 Cast Carbon fiber with fender					\$669
	XEM03 10mm above tire					NCO
	XEM01 Individual above tire (Follow tire - max. 25mm)					NCO
	XEM09 Center of tire					STD
	XEM10 Outside of tire					NCO
Armrest						
XF010	Lift out armrest with plastic sideguard	Height (Top of seatrail to top of armrest)				\$474
XF020	Lift out armrest with aluminum sideguard	Height (Top of seatrail to top of armrest)				\$474

Backrest Height

XY230	Fixed height	STD
XY245	Adjustable height (Maximum height 15.75(400) Range: +/- 25mm)	\$139

Backrest Design

FXTXG060	Folding backrest with Q Lock	STD
----------	-------------------------------------	-----

Push Handles

XG070	Screw in push handles (Not available with XY245)	\$163
XG080	Flip down push handles (Not available with XY245)	\$250
XG085	Flip down push handles height adjustable (Not available with XY245)	\$275
XG097	Integrated push handles	\$274

Center of Gravity

XH110	Square back adjustable of gravity (Range: 25mm - 150mm)	STD
XH120	Round back adjustable of gravity (Range: 60mm - 150mm)	NCO
FXXH090	V-Style fixed center of gravity (Range: 25mm - 125mm)	\$347

Axle Pin Options

FXTXK227	Standard axle pin	STD
FXTXK226	Titanium 100mm quick release axle pin	\$189
XK220	Titanium 130mm quick release axle pin	\$119
XK240	Quad release axle pin	\$163

Anti-Tip

XJ010	Swing-away anti tip LEFT side (Only available with square back adjustable center of gravity. Not available with XH140)	\$149
XJ020	Swing-away anti tip RIGHT side (Only available with square back adjustable center of gravity. Not available with XH140)	\$149
XJ100	Single sport anti-tip (Centered mounted)	\$459

Frame and Footrest Finishes

Non painted finishes

FXTXN030	Bead blast frame (All parts black unless XN165 chosen)	\$250
FXTXN050	Polished frame (All parts black unless XN170 chosen)	\$689
XN165	Bead blast Components	\$138
XN170	Polished Components	\$203

Accent Color

XN251	Black	STD
XN253	Red	NCO
XN255	Purple	NCO
XN252	Silver	NCO
XN254	Blue	NCO
XN250	Individual Accent Color	\$180

Seat Upholstery

XP040	Seat Sling Adjustable Strap	STD
XR050	Carbon Fiber Seat Plate	\$354

Back Upholstery

XP050	Airtech Adjustable Strap	NCO
XP060	Backrest upgrade to black full leather	\$364
XP070	Backrest upgrade to black leather corners	\$126
XP110	Backrest zip pocket	\$93
XP170	Individual backrest embroidery (Please complete page 11.)	\$143
	RGK Backrest Logo Color	
XP557	White (Standard if nothing selected)	STD
XP558	Red	STD
XP559	Black	NCO
XP560	Blue	NCO
XP561	Purple	NCO
XP562	Individual Pantone color number	NCO

Rear Wheel Type

XK015	Proton (Not available with Spinergy anodized color options.)	STD
XK320	Spinergy XLX (12 spoke, cross radial spokes.)	\$829
XK050	Spinergy LX (12 spoke)	\$787
XK060	Spinergy SPOX (18 spoke. Not available with Spinergy anodized color options or spoke colors, purple, orange, pink and green.)	\$593
XK070	Spinergy BLXL (18 bladed spoke.)	\$829
XK150	Spinergy CLX (18 bladed spokes, carbon fiber rim. Spinergy color option available on hub only. Not available with silver hub)	\$1,565
XK330	RGK EXCLUSIVE Spinergy CX6 Cast Carbon fiber (Cast Carbon Fiber Hub, Matte Black Carbon Fiber Rim and Black Bladed Spokes with 2 White Bladed Spokes Around Valve Stem. Not available with Spinergy anodized color options.)	\$1,732
	Spinergy spoke colors	
XK650	Black	STD
XK651	Red	NCO
XK652	Purple	NCO
XK653	White	NCO
XK654	Blue	NCO
XK655	Orange	NCO
XK656	Yellow	NCO
XK657	Pink	NCO
XK658	Green	NCO
XK180	Individual spoke design	\$184
	Spinergy anodized colors (Rims and Hubs are anodized not spokes, on Spinergy BLXL (XK075), Hubs only on SBTXK150)	
XK190	Black	STD
XK202	Purple (LX, XLX & BLXL only)	\$287
XK203	Blue (LX, XLX & BLXL only)	\$287
XK201	Red (LX, XLX & BLXL only)	\$287
XK204	Gold (LX, XLX & BLXL only)	\$287
XK205	Individual hub/rims	\$332

Supply Without Rear Wheels

XK040	Omit Rear Wheels		-\$193
	XK041 Wheel Type:	XK042 Tire Type:	

Handrims Style

XY485	Tab Length Wide		STD
XY480	Tab Length Narrow		NCO
	XL090 Remove excess mounting tabs (Recommended for small wheel gaps XY460)		\$106
XL010	Aluminum Hard Anodized 6 Tab		STD
XL160	Elipse Ergonomic 6 Tab		\$525
XL020	Tetra Grip 6 Tab		\$297
XL100	Para-Grip 6 Tab		\$297
XL040	Titanium 6 Tab		\$252
XL035	Natural-Fit LT		\$564
XL150	Carbolife Gekko		\$561
XL170	Carbolife Curve L		\$603

Tires

XM060	Schwalbe One (Lightest option)		\$99		
XM155	MBL Speedlite		STD		
XM150	IRC EXERACER		\$37		
XM010	Kenda	XM011 Grey	XM012 Blue	XM013 Red	STD
XM020	Schwalbe Marathon Plus				\$72
XM040	Shox Solid Tire				\$117
XM050	Kenda K885 Mountain Bike Tire				\$28

Inner Tubes

XY500	Schraeder Valve Inner Tube		STD
XY490	Presta Valve Inner Tube		NCO

Cushions

XP080	Cushion foam		\$87	
	Density	XP001 Soft	XP002 Medium	
	Thickness	XP003 50mm	XP004 75mm	XP005 100mm

Cushion Covers

XP085	Nylon Cushion Cover (Black)		STD
XP090	Airlite Cushion Cover (Black)		\$68
XP100	Leather Cushion Cover (Black)		\$223

Jay Products - Please Include Jay Order Form

XP900	Jay Cushion	Refer to Jay Order Form
XP910	Jay Backrest	Refer to Jay Order Form
XP920	Jay Whitmyer Headrest	Refer to Jay Order Form

Accessories

XR080	Frontwheel Assembly (Only with XB010, TGAXB080, XB150)	\$764
XP120	Black Frame Protectors Neoprene Zip Fasten (Black)	\$75
XP420	Black Frame Protectors Nylon Velcro Fasten (Black)	\$50
XR010	Black Seat Pouch Velcro Attach (Black)	\$39
XR200	Black Rucksack with RGK Logo (Black)	\$67
XR100	FX carry bag	\$352
XR090	Tool Kit	STD
XS060	Calf Strap	STD

Ordering Information

Estimated MSRP*

Quote

Order

(*Price does not include any one off requested options)

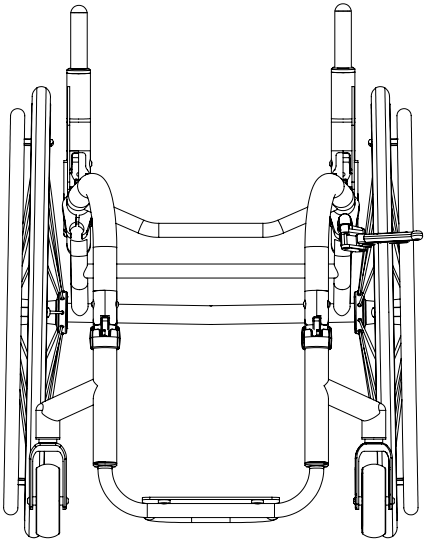
General Information

Serial No: _____

Production Date: _____

HCPCS codes provided are based on code verification by the PDAC or our interpretation of the code definitions. Proper use of HCPCS codes does not ensure coverage or payment. For coverage information, verify the appropriate payer's coverage policy

Specification Notes



Individual Back Upholstery Embroidery Area

