



**Rider Information**

**Name:** \_\_\_\_\_

**Phone:** \_\_\_\_\_

**Email:** \_\_\_\_\_

**Height:** \_\_\_\_\_ **Weight:** \_\_\_\_\_

**Current Chair:** \_\_\_\_\_ **Current Cushion:** \_\_\_\_\_

**Ability/Diagnosis:** \_\_\_\_\_

**RGK Contact Authorization:**

RGK would like to send you exclusive information, news and promotional offers on RGK.

I would like to be contacted by RGK:

**Signature:** \_\_\_\_\_ **Date:** \_\_\_\_\_

\*We do not pass your personal information onto any third party.

**Account Information**

**Account Name :** \_\_\_\_\_

**Account #:** \_\_\_\_\_ **PO#:** \_\_\_\_\_

**Contact Name :** \_\_\_\_\_

**Phone:** \_\_\_\_\_

**Email:** \_\_\_\_\_

**Ship to:** **Account** **Rider**

**Name:** \_\_\_\_\_

**Address:** \_\_\_\_\_

\_\_\_\_\_

**RGK Genius:** \_\_\_\_\_

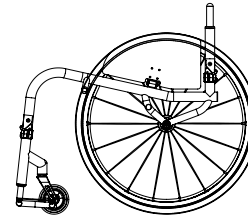
## Frame Styles

702XZ010 **Octane FX** (Max User Weight 110kg/242lbs. HCPCS K0005)  
 702XA070 **Open design**

702XW009 **Quote Only** (No CAD for Approval)  
 702XW011 **Order Only** (No CAD for Approval)  
 702XW012 **Quote CAD drawing for approval** (1st CAD is NCO.)  
 702XW010 **Order CAD drawing for approval** (1st CAD is NCO.)

CAD approved by: 702XW013 Customer 702XW014 RGK Genius

\$6,215  
 STD  
 STD  
 STD  
 NCO  
 NCO



Open Design

## Measurements

**Please Note:** All RGK chairs are hand built and have a manufacturing tolerance of +/- 5mm (.25). All measurements can be done in 5mm (.25") increments.

**Please select either Millimeters or Inches.**

Measurements:  Millimeters (mm.)  Inches (in.)

702XY010 **Rear Seat Width** Measured from inside of side guard to inside of opposite side guard. Or outside seat tube to outside of opposite seat tube near backrest. (Min. 250mm/9.84" and Max. 460mm/18.11")

Current Chair:  mm.  in. New Chair:  mm.  in.

702XY020 **Seat Depth/Seat Length** Measured from front of back post to the front edge of seat sling. Frame bend will start .5" in front of seat sling unless Extra Frame Length requested. (Min. 250mm/9.84" and Max. 470mm/18.5")

Current Chair:  mm.  in. New Chair:  mm.  in.

702XY030 **Extra Frame Length** Measured from front edge of seat sling to beginning of Front frame bend. (Max. 470mm/18.5" Seat length + Extra seat length)

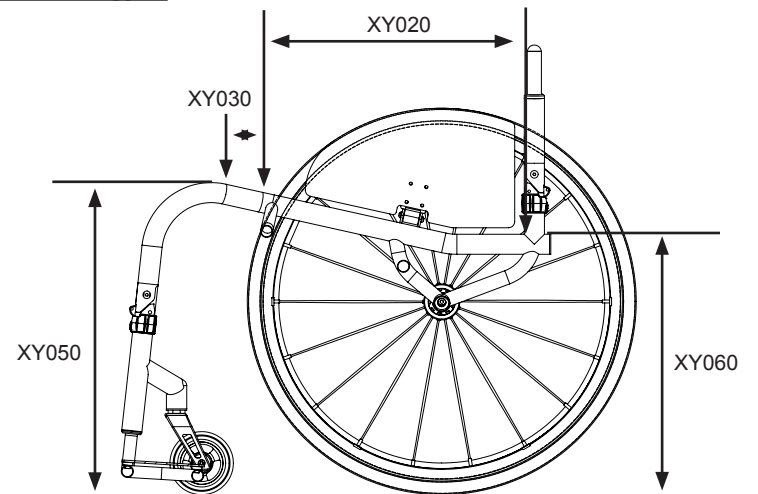
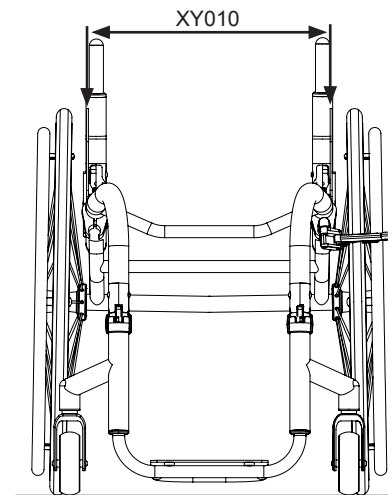
Current Chair:  mm.  in. New Chair:  mm.  in.

702XY050 **Front Frame Height** Measured from floor to apex of seat tube. (Min. 480mm/18.89" and Max. 550mm/21.65")

Current Chair:  mm.  in. New Chair:  mm.  in.

702XY060 **Rear Frame Height** Measured from floor to top of seat tube at back edge of seat sling. (Min. 360mm/14.17" and Max. 550mm/21.65")

Current Chair:  mm.  in. New Chair:  mm.  in.



# Design Template

702XY070 **Occupied Frame Length/Frame Length** Measured from the front of the backrest tube to the front edge of the footrest. (Min. 390mm/15.35" and Max. 635mm/25")

Current Chair:        New Chair:

702XY072 **Caster Stem Position** Measured from the front edge of the footrest to the centerline of the caster barrel.      702XY073 RGK to Optimize:

Current Chair:        New Chair:

702XA020 **Ergonomic Seat** Measured from front of back post to beginning of upward bend of seat tube. \$91

Current Chair:        New Chair:

702XY080 **Front Seat Taper/Seat Taper Design** Measured from inside of front frame tube at the front frame bend to inside of opposite front frame tube at the front frame bend.      702XY081 RGK to Optimize.

Current Chair:        New Chair:

702XY115 **Front Footrest Height** Measured from ground up to the top of the Front footrest tube or cover.

Current Chair:        New Chair:

702XY120 **Rear Footrest Height** Measured from ground up to the top of the Rear footrest tube or cover. Standard is 20mm less than Front Footrest Height.

Current Chair:        New Chair:

702XY125 **Footrest Length** Measured from front edge of footrest to back edge of footrest. (160mm and over requires heavy duty upgrade)

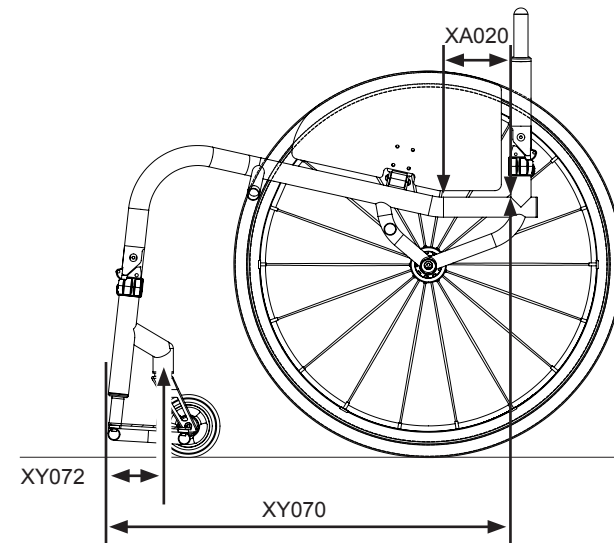
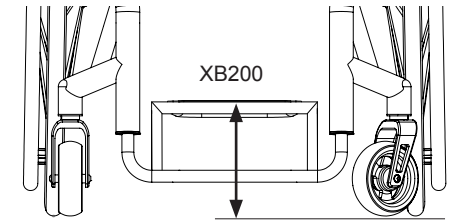
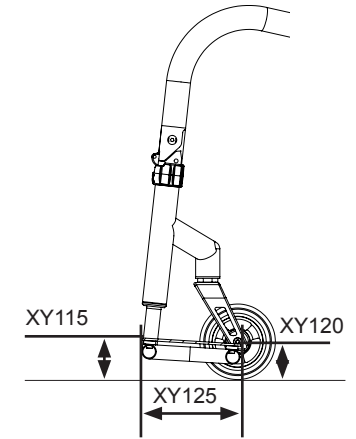
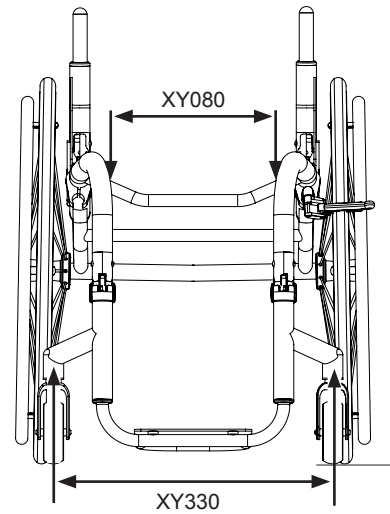
Current Chair:        New Chair:

702XB200 **High Mount Footrest/High Level Footrest** Measured from ground up to the top of the Front footrest tube or cover. \$160

Current Chair:        New Chair:

702XY330 **Stem Bolt/Caster Pin Width** Measured from centerline of caster pin to the centerline of the opposite caster pin.      702XY331 RGK to Optimize:

Current Chair:        New Chair:



# Design Template

702XY231 **Backrest Height** Measured from top of seat tube at rear of frame to top of back-post.

Current Chair:   New Chair:

702XY360 **Backrest Angle** Measured as the angle from top front of the backrest tube to the floor. (Max. -10° to +10°) -5° -3° 0° 3° 5°

Current Chair:  New Chair:

702XG110 **Inward Taper** Measured from inside backrest tube to inside of opposite backrest tube at the top of the backrest. \$91

Current Chair:   New Chair:

702XG100 **Ergonomic Backrest** Measured from top of seat tube at rear of frame to the start of the rearward bend of back-post. \$91

Current Chair:   New Chair:

702XG120 **Outward Flare** Measured from inside backrest tube to inside of opposite backrest tube at the top of the backrest. \$91

Current Chair:   New Chair:

702XY390 **Camber Angle** Place a straight edge across the outside of rear wheel and use an angle finder to show the degree of camber.

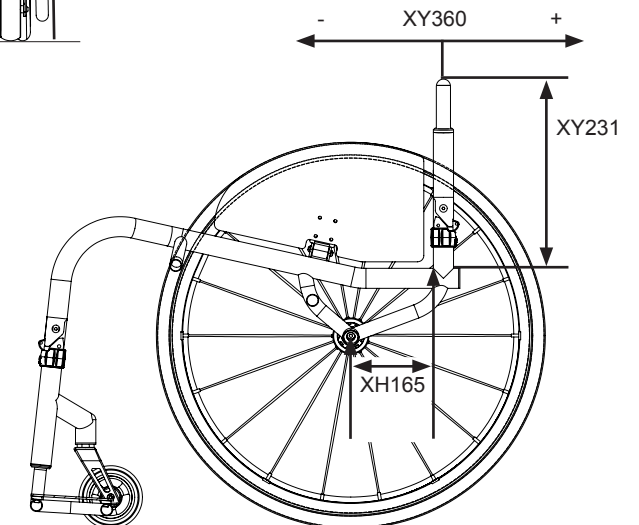
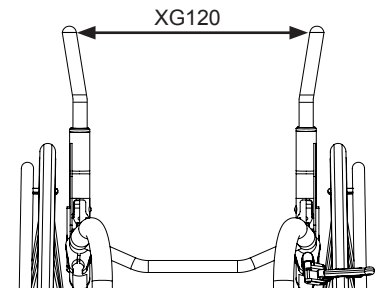
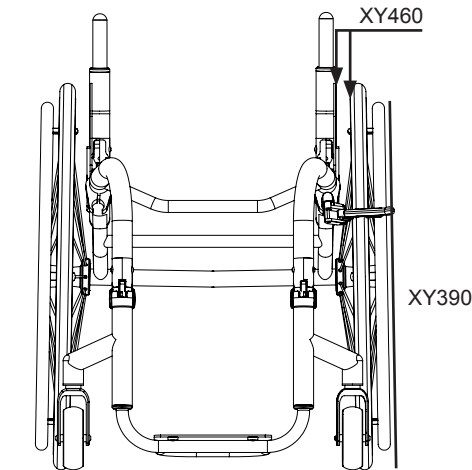
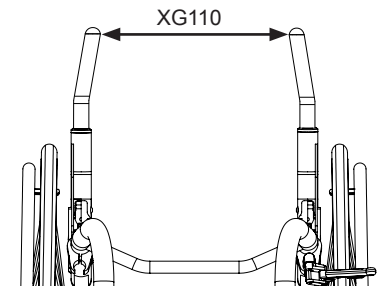
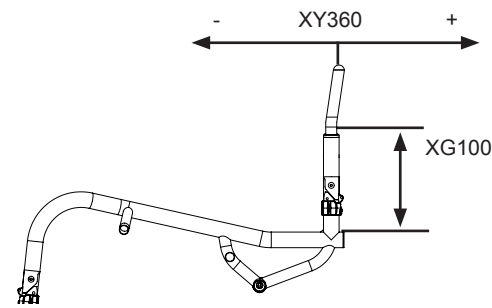
Current Chair:	0°	New Chair:	702XY396	0°
	1°		702XY397	1°
	2°		702XY398	2°
	3°		702XY399	3°
	5°		702XY400	5°

702XH165 **Center of Gravity** Measured from front of back post at the seat tube to the centerline of the rear axle.

Current Chair:   New Chair:

702XY460 **Rear Wheel Gap** Measured from outer most point of chair (seat back post, side guard or armrest) to inside of rear tire.

Current Chair: .78"(20) 1"(25) New Chair: 702XY465 .78"(20) 702XY466 1"(25)



## Footrest Design

702XY100	<b>Round Design</b>	STD
702XY105	<b>Square Design</b>	NCO

## Footrest Styles

702XB080	<b>Tubular footrest welded into frame aluminum footplate</b> (No height adjustment)	STD
702XB110	<b>Tubular footrest welded into frame with carbon fiber footplate</b> (No height adjustment)	\$151
702XB050	<b>Lightweight 3k Carbon Fiber Footplate</b>	STD
702XB155	<b>Lightweight Spinerge CX6 Cast Carbon Fiber Footplate</b>	NCO
702XB120	<b>Clamp-on aluminum footplate</b> (Angle and height adjustment)	STD
702XB165	<b>Rubber grip tape</b> (3M Safety walk. Not available with 702XB030)	\$43
702XB170	<b>Omit Footplate</b>	NCO

## Front Wheels

702XC060	<b>Aluminum Center 4"x1.3" (Black hub only)</b>	STD
702XC110	<b>Aluminum Center 4"x1" (Silver hub only)</b>	\$151
702XC135	<b>Aluminum Center 4"x1.25"</b>	\$151
702XC1131	Silver hub & black tire	
702XC1132	Black hub & black tire	
702XC1133	Purple hub & black tire	
702XC1135	Red hub & black tire	
702XC1136	Blue hub & black tire	
702XC155	<b>4" x 1.25" Spinerge CX6 Cast Carbon fiber front wheel</b>	\$151
702XC156	Cerakoted Spinerge CX6 Cast Carbon fiber front wheel (Hub only. See Cerakot color options on page 6)	\$97
702XC070	<b>Soft roll 5"x1.3"</b>	NCO
702XC100	<b>Pneumatic Aluminum Center 5"x1"</b>	\$168
702XC140	<b>Aluminum Center 5"x1.4"</b> (Silver hub & black tire)	\$151

## Forks

702XC190	<b>Low Ride fork</b>	STD
702XC192	<b>High Trail fork</b>	NCO
702XC300	<b>Omobic Single Sided fork</b>	\$180
702XC210	<b>Froglegs suspension fork</b>	\$528
702XC211	Black fork	STD

## Wheel Locks

702XD020	<b>Underseat scissor</b>	NCO
702XD030	<b>Compact scissor</b>	\$112
702XD035	<b>Compact scissor with Direct Mount</b>	\$134
702XD050	<b>Push To Lock</b>	NCO
702XD060	<b>Omobic all aluminum</b>	\$112
702XD095	<b>Omobic all aluminum with Direct Mount</b>	\$134
702XD100	<b>Push Lox Dynamic Hub Locking system</b>	\$1,100
702XD085	<b>Eagle</b> (Indicate color)	\$246
702XD086	<b>Eagle with Direct Mount</b> (Indicate color)	\$269
702XD088	Black	
702XD089	Purple	
702XD090	Red	
702XD091	Blue	
702XD010	<b>Omit Wheel Lock</b>	NCO

## Side Guards

702XE080	<b>Lift out aluminum</b>		\$463
702XE130	<b>Fold flat aluminum</b>		\$400
702XE100	<b>Lift Out 3k Carbon Fiber</b>		\$628
702XE106	<b>Lift Out Spinergy CX6 Cast Carbon fiber</b>		\$628
702XE150	<b>Fold flat 3k carbon fiber</b>		\$653
702XE155	<b>Fold flat Spinergy CX6 Cast Carbon fiber</b>		\$653
	702XEM05	25mm above tire (Follow tire)	NCO
	702XEM06	Individual above tire (Follow tire - max. 25mm)	NCO
	702XEM02	Level with tire	STD
	702XEM07	Side guard length	STD
	702XEM08	Side guard height	STD
702XE090	<b>Lift out aluminum with fender</b>		\$501
702XE140	<b>Fold flat aluminum with fender</b>		\$440
702XE110	<b>Lift Out 3k Carbon Fiber with fender</b>		\$730
	702XEM03	10mm above tire	NCO
	702XEM01	Individual above tire (Follow tire - max. 25mm)	NCO
	702XEM10	Outside of tire	NCO
702XE195	<b>Omit side guards</b>		NCO

## Armrest

702XF010	<b>Lift out armrest with plastic sideguard</b>	<b>Height</b> (Top of seatrail to top of armrest)	\$518
702XF020	<b>Lift out armrest with aluminum sideguard</b>	<b>Height</b> (Top of seatrail to top of armrest)	\$518
702XF130	<b>Swing way tubular armrest with welded in receiver</b> (Requires 702XH110 Square back adjustable center gravity)	<b>Height</b> (Top of seatrail to top of armrest) Tubular armrest length	\$518
702XF140	<b>Omit armrest</b>		NCO

## Backrest Height

702XY230	<b>Fixed height</b>		STD
702XY245	<b>Adjustable height</b> (Maximum height 15.75(400) Range: +/- 25mm)		\$152

## Backrest Design

702XG060	<b>Folding backrest with Q Lock</b>		STD
----------	-------------------------------------	--	-----

## Push Handles

702XG070	<b>Screw in push handles</b> (Not available with 702XY245)		\$177
702XG080	<b>Flip down push handles</b> (Not available with 702XY245)		\$271
702XG085	<b>Flip down push handles height adjustable</b> (Not available with 702XY245)		\$300
702XG097	<b>Integrated push handles</b>		\$300
702XG030	<b>Omit push handles</b>		NCO

## Center of Gravity

702XH110	<b>Square back adjustable of gravity</b> (Range: 25mm - 150mm)		STD
702XH120	<b>Round back adjustable of gravity</b> (Range: 60mm - 150mm)		NCO
702XH090	<b>V-Style fixed center of gravity</b> (Range: 25mm - 125mm)		\$378

## Axle Pin Options

702XK227	<b>Standard axle pin</b>	STD
702XK226	<b>Titanium 100mm quick release axle pin</b>	\$206
702XK220	<b>Titanium 130mm quick release axle pin</b>	\$129
702XK240	<b>Quad release axle pin</b>	\$178

## Anti-Tip

702XJ010	<b>Swing-away anti tip LEFT side</b> (Only available with square back adjustable center of gravity. Not available with 702XH140)	\$162
702XJ020	<b>Swing-away anti tip RIGHT side</b> (Only available with square back adjustable center of gravity. Not available with 702XH140)	\$162
702XJ100	<b>Single sport anti-tip</b> (Centered mounted)	\$501
702XJ110	<b>Omit Anti-Tip</b>	NCO

## Frame Finishes

### Non painted finishes

702XN030	Bead blast frame	STD
702XN050	Polished frame	\$751

### Painted finishes

702XN500	<b>CeraKote frame</b>	\$250
702XN600	<b>CeraKote components</b> (Component color will match frame if not otherwise specified. Components include: Forks, Wheel Lock clamps, and Camber Tube clamps.)	\$250
702XN800	<b>CeraKote Spinergy wheels</b> (See Rear Wheel Type on page 8. Hubs and Rims are CeraKoted on Rear Wheels, Hubs on Front Wheels.)	\$345

Frame	Components	Spinergy	Colors	Frame	Components	Spinergy	Colors
702XN501	702XN601	702XN801	<b>Midnight Black</b>	702XN509	702XN609	702XN809	<b>Rose Gold</b>
702XN502	702XN602	702XN802	<b>Java Bronze</b>	702XN510	702XN610	702XN810	<b>Retro Blue</b>
702XN503	702XN603	702XN803	<b>Pure Titanium</b>	702XN511	702XN611	702XN811	<b>Hot Pink</b>
702XN504	702XN604	702XN804	<b>Fire Red</b>	702XN512	702XN612	702XN812	<b>Wicked Green</b>
702XN505	702XN605	702XN805	<b>Prime Blue</b>	702XN513	702XN613	702XN813	<b>Bright White</b>
702XN506	702XN606	702XN806	<b>Sahara Gold</b>	702XN514	702XN614	702XN814	<b>Tangerine Orange</b>
702XN507	702XN607	702XN807	<b>Black Cherry</b>	702XN515	702XN615	702XN815	<b>Sunbeam Yellow</b>
702XN508	702XN608	702XN808	<b>Fresh Green</b>	702XN516	702XN616	702XN816	<b>Matte Navy</b>

## Accent Color

702XN251	<b>Black</b>	STD
702XN253	<b>Red</b>	NCO
702XN255	<b>Purple</b>	NCO
702XN252	<b>Silver</b>	NCO
702XN254	<b>Blue</b>	NCO

## Seat Upholstery

702XP040	<b>Seat Sling Adjustable Strap</b>	STD
702XR050	<b>Carbon Fiber Seat Plate</b>	\$386

## Back Upholstery

702XP050	<b>Airtech Adjustable Strap</b>	NCO
702XP070	Backrest upgrade to black leather corners	\$137
702XP110	Backrest zip pocket	\$102

RGK Backrest Logo Color		
702XP557	White (Standard if nothing selected)	STD
702XP558	Red	STD
702XP559	Black	NCO
702XP560	Blue	NCO
702XP561	Purple	NCO
702XP562	Individual Pantone color number	NCO
702XP570	<b>Omit back upholstery</b>	NCO

### Rear Wheel Size

702XY420	24" (540) Rear wheel size	702XY430	25" (559) Rear wheel size	STD
----------	---------------------------	----------	---------------------------	-----

### Rear Wheel Type

702XK160	<b>Spinergy ES Wire</b> (20 spokes. CeraKote option available on Rim. Not available with Spinergy anodized color options.)	STD
702XK320	<b>Spinergy XLX</b> (12 spokes, cross radial spokes.)	\$904
702XK050	<b>Spinergy LX</b> (12 spokes)	\$859
702XK060	<b>Spinergy SPOX</b> (18 spokes. Not available with Spinergy anodized color options or spoke colors, purple, orange, pink and green.)	\$647
702XK070	<b>Spinergy BLXL</b> (18 bladed spokes.)	\$948
702XK150	<b>Spinergy CLX</b> (18 bladed spokes, carbon fiber rim. Spinergy color option available on hub only. Not available with silver hub)	\$1,707
702XK330	<b>RGK EXCLUSIVE Spinergy CX6 Cast Carbon fiber</b> (Cast Carbon Fiber Hub, Matte Black Carbon Fiber Rim and Black Bladed Spokes with 2 White Bladed Spokes Around Valve Stem. Not available with Spinergy anodized color options.)	\$1,915
<b>Spinergy spoke colors</b>		
702XK650	Black	STD
702XK651	Red	NCO
702XK652	Purple	NCO
702XK653	White	NCO
702XK654	Blue	NCO
702XK655	Orange	NCO
702XK656	Yellow	NCO
702XK657	Pink	NCO
702XK658	Green	NCO
702XK180	Individual spoke design	\$201
<b>Spinergy anodized colors</b> (Rims and Hubs are anodized not spokes, on Spinergy BLXL (702XK075), Hubs only on 702XK150)		
702XK190	Black	STD
702XK202	Purple (LX, XLX & BLXL only)	\$313
702XK203	Blue (LX, XLX & BLXL only)	\$313
702XK201	Red (LX, XLX & BLXL only)	\$313
702XK204	Gold (LX, XLX & BLXL only)	\$313

### Supply Without Rear Wheels

702XK040	<b>Omit Rear Wheels</b>	- \$211
	702XK041 Wheel Type:	702XK042 Tire Type:

### Handrims Style

702XY485	<b>Tab Length Wide</b>	STD
702XY480	<b>Tab Length Narrow</b>	NCO
	702XL090 <b>Remove excess mounting tabs</b> (Recommended for small rear wheel gaps 702XY460)	\$115

# Design Template

702XL010	<b>Aluminum Hard Anodized 6 Tab</b>				STD
702XL020	<b>QGrip 6 Tab</b>				\$324
702XL040	<b>Titanium 6 Tab</b>				\$276
702XL035	<b>Natural-Fit LT</b>	702XL036 Standard thumb ring	702XL037 Super Grip thumb ring	702XL038 Omit thumb ring	\$616
702XL150	<b>Carbolife Gekko</b>				\$493
702XL220	<b>Carbolife Gekko S</b>				\$474
702XL170	<b>Carbolife Curve L</b>				\$428
702XL230	<b>Carbolife Curve</b>				\$412
702XL180	<b>Carbolife Curve L Tetra</b>				\$548
702XL240	<b>Carbolife Curve Tetra</b>				\$527
702XL190	<b>Carbolife Quadro</b>				\$548
702XL200	<b>Spinergy TC</b>				\$455
702XL210	<b>Spinergy TC Max</b>				\$534

## Tires

702XM060	<b>Schwalbe One</b> (Lightest option)				\$109
702XM150	<b>IRC EXERACER</b>				STD
702XM020	<b>Schwalbe Marathon Plus</b>				\$78
702XM040	<b>Shox Solid Tire</b> (Not available with Spinergy CLX or CX six rear wheels)				\$128
702XM070	<b>Schwalbe Rocket Ron mountain bike tire</b>				\$50

## Cushions

702XP080	<b>Cushion foam</b>				\$95
	Density	702XP001 Soft	702XP002 Medium		
	Thickness	702XP003 50mm	702XP004 75mm	702XP005 100mm	

## Cushion Covers

702XP085	<b>Nylon Cushion Cover</b> (Black)				STD
702XP090	<b>Airlite Cushion Cover</b> (Black)				\$73

## Jay Products - Please Include Jay Order Form

702XP900	<b>Jay Cushion</b>	Refer to Jay Order Form			
702XP910	<b>Jay Backrest</b>	Refer to Jay Order Form			

## Empulse Products - Please Include Empulse Order Form

702EP100	<b>Empulse Add-On Power-Assist Devices</b> (IN11- USEWITHRGK)	Ship with chair	<b>or</b>	Ship separate from chair (uninstalled)	
	F35 - Pull Device				
	M90 - Wheel Add-On				
	R90 - Push-Assist				

## Accessories

702XR080	<b>Frontwheel Assembly</b> (Only with 702XB010, 702XB080, 702XB150)				\$834
702XR240	<b>Reverse Velcro on seating</b>	702XR241 <b>Double sided tape</b>	702XR240 <b>Sewn in</b>		\$100
702XP120	<b>Black Frame Protectors Neoprene Zip Fasten</b> (Black)				\$82
702XP420	<b>Black Frame Protectors Nylon Velcro Fasten</b> (Black)				\$55
702XR010	<b>Black Seat Pouch Velcro Attach</b> (Black)				\$43
702XR200	<b>Black Backpack with RGK Logo</b> (Black)				\$73

702XR100	<b>FX frame only carry bag</b>			\$385
702XR230	<b>Spinergy Wheel Bag</b>			\$150
702XR210	<b>Recon Mini Rider-Carry Air Compressor</b>			\$170
702XR090	<b>Tool Kit</b>			STD
702XS060	<b>Calf Strap</b>			STD
	<b>Military Service Patches</b>			\$121
	1112VU1 US Marine Patch	1112VU2 US Army Patch	1112VU3 US Navy Patch	
	1112VU4 US Air Force Patch	1112VU12 US Coast Guard Patch	112VU5 Purple Heart Patch	

## Ordering Information

**Estimated MSRP\***

**Quote**

**Order**

(\*Price does not include any one off requested options)

## Specification Notes

