



ORDER FORM

To see QUICKIE Power Options or Accessories, scan here or visit:
<https://www.sunrisemedical.com/power-wheelchair-options-accessories>



Q700M

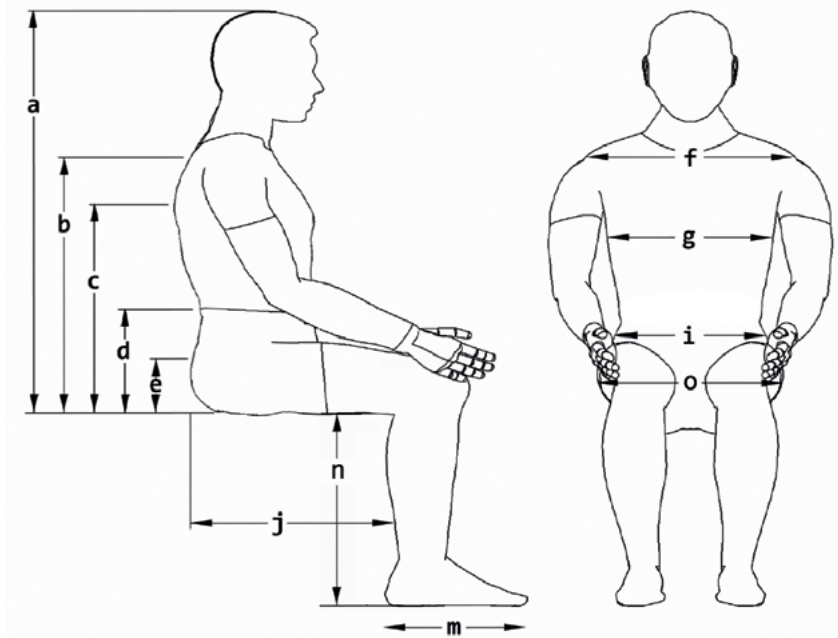
with SEDEO[®] PRO[™], PRO[™] ADVANCED and JAY[®] Syncra[™] Seating

EIPW25

Customer		Ship To	
Account #		Name	
Date		Address	
PO#		City	
Buyer		State	Zip
Mark For		Phone	

Client Measurements

a) Top of head to seat	in
b) Top of shoulder to seat	in
c) Underarm to seat	in
d) Elbow to seat	in
e) Top of leg to seat	in
f) Shoulder width	in
g) Chest width	in
i) Hip width	in
j) Actual sitting depth	in
m) Foot length	in
n) Knee to foot	in
o) Seat width	in



Notes

Chair Specifications

HCPC	K0848 / K0856 / K0861 / K0868 / K0877 / K0884
Typical Weight w/out Batteries	330 lbs.
Typical Weight with Batteries	410 lbs.
Power Seating	50° of CG Tilt and Power Recline with 4" mechanical sheer reduction / 12" seat elevator
Seat Type	SEDEO® PRO™ / JAY® Syncra™
Seat Size Range	Width 16" to 22" Depth 14" to 22"
Seat-to-Floor Height Range	16.5" to 19"

Mid-Wheel Drive Base Specifications

Drive Wheel Position	Mid-wheel drive
User Weight Capacity	300 lbs.
Base Size	Width 24.5", Length 36.5"
Minimum Turning Radius	19.8" (excludes footplates)
Drive Control	R-net PM 120A / R-net PM 90A
Driving Range	Up to 18 miles (w/ Group 24 Batteries)
Drive Motors	4-pole 6 mph, 8 mph
Drive Wheels	14" w/flat-free inserts (black)
Casters	6" front / 6" rear (black)
Charger	10A Dual Mode (Compact)
Battery Size	Group 24 / Group 34
Color	9 shroud colors and 7 color accents
Maximum Ground Clearance	3"

BASE			
OPTION	HCPC	DESCRIPTION	RETAIL
Group 3 Standard Duty Mid Wheel Drive Base <i>End Item Number EIPW25 (PRO™ Seat)</i>			\$
250PC197	K0848	Quickie Q700 M NPC No Power Option for SEDEO® PRO™ Seat Included in Base Pricing : Q700 M Base, R-net 90amp Electronics for No Power Seat Functions, ProGrip™ Six-Wheel Independent Suspension, 14" Drive Wheels with Dual Density Inserts, 6" Flat Free Casters, ISO Occupied Tie-Down Brackets and 10amp Charger. Max Speed = 6mph, Weight Capacity = 300lbs., STFH = 16.5".	\$9,159.00
250PC198	K0856	Quickie Q700 M SPC Single Power Option for SEDEO® PRO™ Seat Included in Base Pricing : Q700 M Base, R-net 90amp Electronics for No Power Seat Functions, ProGrip™ Six-Wheel Independent Suspension, 14" Drive Wheels with Dual Density Inserts, 6" Flat Free Casters, ISO Occupied Tie-Down Brackets and 10amp Charger. Max Speed = 6mph, Weight Capacity = 300lbs., STFH = 16.5".	\$9,159.00
250PC203	K0861	Quickie Q700 M MPC Tilt/Recline for SEDEO® PRO™ Seat Included in Base Pricing: Q700 M Base, R-net 90amp Electronics for No Power Seat Functions, ProGrip™ Six-Wheel Independent Suspension, 14" Drive Wheels with Dual Density Inserts, 6" Flat Free Casters, ISO Occupied Tie-Down Brackets and 10amp Charger. Max Speed = 6mph, Weight Capacity = 300lbs., STFH = 16.5".	\$9,159.00
Group 4 Standard Duty Mid Wheel Drive Base <i>End Item Number EIPW25 (PRO™ Seat)</i>			\$
250PC201	K0868	Quickie Q700 M NPD No Power Option for SEDEO® PRO™ Seat Included in Base Pricing : Q700 M Base, R-net 120amp Electronics for No Power Seat Functions, ProGrip™ Six-Wheel Independent Suspension, 14" Drive Wheels with Dual Density Inserts, 6" Flat Free Casters, ISO Occupied Tie-Down Brackets and 10amp Charger. Max Speed = 8mph, Weight Capacity = 300lbs., STFH = 16.5".	\$14,583.00
250PC202	K0877	Quickie Q700 M SPD Single Power Option for SEDEO® PRO™ Seat Included in Base Pricing : Q700 M Base, R-net 120amp Electronics for No Power Seat Functions, ProGrip™ Six-Wheel Independent Suspension, 14" Drive Wheels with Dual Density Inserts, 6" Flat Free Casters, ISO Occupied Tie-Down Brackets and 10amp Charger. Max Speed = 8mph, Weight Capacity = 300lbs., STFH = 16.5".	\$14,583.00
250PC205	K0884	Quickie Q700 M MPD Tilt/Recline for SEDEO® PRO™ Seat Included in Base Pricing: Q700 M Base, R-net 120amp Electronics for No Power Seat Functions, ProGrip™ Six-Wheel Independent Suspension, 14" Drive Wheels with Dual Density Inserts, 6" Flat Free Casters, ISO Occupied Tie-Down Brackets and 10amp Charger. Max Speed = 8mph, Weight Capacity = 300lbs., STFH = 16.5".	\$14,583.00

BASE			
OPTION	HCPC	DESCRIPTION	RETAIL
User Weight			\$
250WG23	–	Up to 300 lbs.	NC
Motor Package			\$
250PF99	–	4-pole 10 kph / 6 mph <i>(Standard for Group 3 K0848, K0856, K0861)</i>	NC
250PF100	–	4-pole 12.5 kph / 8 mph <i>(Standard for Group 4 K0868, K0877, K0884)</i>	NC
250PF101	–	4-pole 12.5 kph / 8 mph <i>(Upgrade for Group 3 K0848, K0856, K0861)</i>	\$1,342.00
Tracking			\$
250MI01	K0108	SureTrac® Module & Motor Encoders <i>(Improves drive tracking)</i>	\$1,628.00
Drive Wheels			\$
250DW58	–	Drive Wheel, 14", Dual Density, Knobby, Black	NC
Caster Wheels			\$
250CW55	–	Caster Wheels 6", Solid, Black	NC
Shroud Color	NEW	<i>Base Shroud and Back Shroud are painted to match.</i>	\$
250C119	–	Matte Black	NC
250C165	–	Candy Apple Red	NC
250C166	–	Candy Blue	NC
250C167	–	Candy Purple	NC
250C176	–	Green Apple	NC
250C178	–	Pearl Pink	NC
250C182	–	Silver	NC
250C125	–	Pearl White	NC
250C170	–	American Flag	\$602.00
Color Accents			\$
<i>Note: Color Accents and Shroud Colors may not match.</i>			
250EZ20	–	Green	NC
250EZ22	–	Black	NC
250EZ21	–	Blue	NC
250EZ23	–	Orange	NC
250EZ24	–	Red	NC
250EZ25	–	Silver	NC
250EZ19	–	White	NC

BASE							
OPTION	HCPC	DESCRIPTION					RETAIL
Service Decals							\$
250D10	–	Army					NC
250D11	–	Air Force					NC
250D13	–	Marines					NC
250D14	–	Navy					NC
250D15	–	Purple Heart					NC
ISO Transit Tie Downs							\$
250T050	–	ISO Transit Package					NC
LED Lights							\$
250LI08	–	LED Fender Lights					\$566.00
250LI09	–	LED Fender Lights <i>(Available with Multi-Power Only)</i>					NC
250LI02	–	Omit LED Lights					NC
Seat Heights							\$
<p><i>Note: Available seat-to-floor heights are dependent on 2 options: 1- Battery Size and 2- Powered Seating. Use the matrix below to determine available ranges for your desired options. Measured from front of seat pan to floor with 0° frame angle.</i></p>							
					PRO ADVANCED Recline		
		Seat Height	Power Seating	No Power Seating	w/o Elevate	w/ Elevate	
250HT103	–	16.5"	Group 34	Group 34	N/A	N/A	NC
250HT55	–	17"	Group 34	GP24 or GP34	GP34	GP34	NC
250HT104	–	17.5"	Group 34	GP24 or GP34	GP34	GP34	NC
250HT56	–	18"	GP24 or GP34	GP24 or GP34	GP24 / GP34	GP34	NC
250HT105	–	18.5"	GP24 or GP34	GP24 or GP34	GP24 / GP34	GP24 / GP34	NC
250HT57	–	19"	GP24 or GP34	GP24 or GP34	GP24 / GP34	GP24 / GP34	NC
Batteries and Chargers							\$
Group 24 Battery Options (Recommended for max daily range)							
250AG25	E2363	GP24 Flat Top Pair w/Strap MK Gel					\$1,138.00
250AG26	E2363	GP24 Flat Top Pair w/Strap AGM					\$857.00
Group 34 Battery Options (Required for lower seat-to-floor heights)							
250AG27	E2359	GP34 Flat Top Pair w/Straps MK Gel					\$1,097.00
250AG29	E2359	GP34 Flat Top Pair w/Straps AGM					\$828.00
Omit Batteries							
250AG24	–	Battery Harnesses Only <i>(Omit Batteries)</i>					NC
Chargers							
250BJ28	–	10A Dual Mode (Compact)					NC

POWERED SEATING			
OPTION	HCPC	DESCRIPTION	RETAIL
Power Seating Options			\$
Seat Elevator			
250PI08	E2298	C-Me® Seat Elevator, Powered, 300 mm / 12" (<i>C-Me speed up to 3 mph</i>)	\$3,791.00
250PI07	E2298	Seat Elevator, Powered, 12" (<i>Required for Anterior Tilt</i>)	\$3,791.00
Seat Tilt			
250PA35	E1002	Posterior 50° Tilt	\$8,458.00
Seat Recline			
250PA37	E1004	150° Powered Recline w/ 4" Shear Reduction	\$8,458.00
Seat Tilt/Recline			
250PA41	E1007	Posterior 50° Tilt and 150° Recline Powered, w/ 4" Shear Reduction	\$13,709.00
250PA62	E1007	Posterior 50° Tilt and PRO ADVANCED 165° Recline Powered, w/ 7" Shear Reduction	\$14,020.00
Seat Anterior Tilt			
250TG02	K0108	Anterior Tilt 0° to 30°	\$3,022.00
Power Recline Backrest Preset Home Angle			
250QK1	–	90°	NC
250QK2	–	95° (Default Position)	NC
Pre Set Seat Frame Angle (<i>No Power Seating Options, Increases Seat to Floor Height</i>)			\$
250FA10	–	0° (<i>Adds 0" to STFH</i>)	NC
250FA3	–	3° (<i>Adds 1" to STFH</i>)	NC
Backrest Frame Type (<i>N/A with Powered Recline</i>)			\$
250BF10	–	Tool Angle Adjustable Back, 90°-120°	NC
250BF11	E1225	User Adjustable Manual Semi-Recline Back, 90°-130°, Right (<i>Adjustment lever mounted on opposite side of joystick</i>)	\$682.00
250BF12	E1225	User Adjustable Manual Semi-Recline Back, 90°-130°, Left (<i>Adjustment lever mounted on opposite side of joystick</i>)	\$682.00
Backrest Frame Option (<i>N/A with PRO ADVANCED</i>)			\$
250BF13	–	Flip Down, Quick Release	\$147.00
Back Cushion Type			\$
250BT134	–	SEDEO® Back Cushion (<i>Choose Seating in Section A</i>) (<i>N/A with PRO ADVANCED</i>)	NC
250BT138	–	JAY® Syncra™ (<i>Choose Seating in Section B</i>)	NC
250BT135	–	JAY® J3® (<i>Choose Seating in Section C</i>)	NC
250BT137	–	SEDEO® Aftermarket Back Adapter (<i>Height adjustable round tubes for traditional mounting</i>)	\$525.00
250BT133	–	OMIT (<i>For personalized mounting. No headrest mount</i>)	NC

POWERED SEATING

OPTION	HCPC	DESCRIPTION	RETAIL
--------	------	-------------	--------

A - SEDEO® Backrest Dimensions (N/A with PRO ADVANCED)

\$

Back Width

250BN28	–	400mm / 16"	NC
250BN29	–	460mm / 18"	NC
250BN30	–	500mm / 20"	NC
250BN31	–	560mm / 22"	NC

Back Shell Height

			Tool Angle Adjust.	150° Recline	Installed Back Height	
250B255	–	460mm / 18"	22°-23°	23°-25°		NC
250B256	–	560mm / 22"	24°-27°	26°-29°		NC
250B257	–	660mm / 26"	28°-30°	30°		NC

Installed Back Height - (From Pan to Top of Back)

250JR32	–	22"	NC
250JR33	–	23"	NC
250JR34	–	24"	NC
250JR35	–	25"	NC
250JR36	–	26"	NC
250JR37	–	27"	NC
250JR38	–	28"	NC
250JR39	–	29"	NC
250JR40	–	30"	NC

POWERED SEATING

OPTION	HCPC	DESCRIPTION	RETAIL
--------	------	-------------	--------

B - JAY® Syncra™ Seating**B - JAY® Syncra™ Back**  [P. 23](#) \$

250JP14	E2620	JAY® Syncra™ Back 16-20" Wide with 3" Contour Depth	\$1,138.00
250JP15	E2621	JAY® Syncra™ Back 22" Wide with 3" Contour Depth	\$1,255.00

B - JAY® Syncra™ Back Width \$

Back can be ordered a different width than seat pan. Armrest will be adjusted to back width ordered.

250JQ07	–	16" Wide (Adjustment range 16 to 17" Wide)*	NC
250JQ08	–	18" Wide (Adjustment range 18 to 19" Wide)*	NC
250JQ09	–	20" Wide (Adjustment range 20 to 21" Wide)*	NC
250JQ10	–	22" Wide (Adjustment range 22 to 23" Wide)	NC

**Additional +1" of shell width adjustment is achievable. Requires purchase of 1" larger foam and upholstery separately.*

B - JAY® Syncra™ Back Shell Options and Height Ranges \$

JAY® Syncra™ Back shells are mounted with a minimim 5.5" gap between the bottom of the shell to the seat pan to accommodate the mechanical shear. Back height can be adjusted in the field within the ranges shown based on the back frame type.

JAY® Syncra™ Shell Height

250JR42	–	16" Tall Shell (22" to 24" Back Height)	NC
250JR43	–	18" Tall Shell (24" to 26" Back Height)	NC
250JR44	–	20" Tall Shell (26" to 28" Back Height)	NC
250JR45	–	22" Tall Shell (28" to 30" Back Height)	NC

JAY® Syncra™ Back Installed Back Height (From Pan to Top of Back)

250JR50	–	22" (16" Shell Height)	NC
250JR51	–	23" (16" Shell Height)	NC
250JR52	–	24" (16" Shell Height)	NC
250JR53	–	24" (18" Shell Height)	NC
250JR54	–	25" (18" Shell Height)	NC
250JR55	–	26" (18" Shell Height)	NC
250JR56	–	26" (20" Shell Height)	NC
250JR57	–	27" (20" Shell Height)	NC
250JR58	–	28" (20" Shell Height)	NC
250JR67	–	28" (22" Shell Height)	NC
250JR68	–	29" (22" Shell Height)	NC
250JR69	–	30" (22" Shell Height)	NC

B - JAY® Syncra™ Back Upholstery \$

250BU96	–	Syncra™ Premium Leatherette	NC
250BU97	–	Syncra™ Stretch	NC

POWERED SEATING

OPTION	HCPC	DESCRIPTION	RETAIL
--------	------	-------------	--------

C - JAY® J3® Back**C - JAY® J3® Back - Contour** \$

250JP01	E2613	J3® PA Back for 16"-20" Wide	\$625.00
250JP02	E2614	J3® PA Back for 22" Wide	\$928.00
250JP11	E2615	J3® PL Back for 16"-20" Wide	\$729.00
250JP13	E2620	J3® PD Back for 16"-20" Wide (18" and 21" shell height only)	\$875.00

C - JAY® J3® Back Width \$

Back can be ordered a different width than seat pan. Armrest will be adjusted to back width ordered.

250JQ02	–	16"	NC
250JQ03	–	18"	NC
250JQ04	–	20"	NC
250JQ05	–	22"	NC

C - JAY® J3® Back Shell Options and Height Ranges \$

JAY® J3® shells are mounted with a minimim 4" gap between the bottom of the shell to the seat pan to accommodate the mechanical shear. Back height can be adjusted in the field within the ranges shown, based on the back frame type and the amount of usable hardware adjustability.

JAY® J3® Shell Height

			Tool Angle Adjust.	150° Recline	PRO ADVANCED	Installed Back Height	
250JR41	–	15" tall shell (Upper Thoracic Med) for 22" Wide	22"-23"	22"-23"	21"-24"		NC
250JR14	–	16.5" tall shell (Upper Thoracic Short)	21"-23"	22"-24"	21"-24"		NC
250JR15	–	18" tall shell (Upper Thoracic Med)	22"-24"	23"-25"	22"-26"		NC
250JR16	–	19.5" tall shell (Upper Thoracic Tall)	24"-26"	24"-26"	23"-27"		NC
250JR18	–	18" tall shell (Shoulder Height) for 22" wide	24"	24"	21"-25"		NC
250JR17	–	21" tall shell (Shoulder Height)	24"-26"	25"-28"	25"-28"		NC
250JR27	–	22.5" tall shell (Shoulder Height)	26"-28"	27"-30"	26"-29"		NC
250JR28	–	24" tall shell (Shoulder Height)	27"-29"	28"-30"	28"-30"		NC

JAY® J3® Installed Back Height (From Pan to Top of Back)

250JR29	–	21"	NC
250JR19	–	22"	NC
250JR20	–	23"	NC
250JR21	–	24"	NC
250JR22	–	25"	NC
250JR23	–	26"	NC
250JR24	–	27"	NC
250JR25	–	28"	NC
250JR30	–	29"	NC
250JR31	–	30"	NC

POWERED SEATING

OPTION	HCPC	DESCRIPTION	RETAIL
--------	------	-------------	--------

C - JAY® Anterior Thoracic Support \$

Classic-Structure Pull Down Harness (4 point strap, only available with JAY® backrest)

250K10	E0960	Medium (ATS8302)	\$177.00
250K11	E0960	Large (ATS8303)	\$177.00

JAY® Lateral Thoracic Swing-Away Supports (Requires Pad, Upholstery and Mount) \$**JAY® Lateral Thoracic Support Pads**

250JW35	E0956	Lateral Thoracic (L x H) 100 mm x 127 mm / 4" x 5" Pad - Right	\$147.00
250JW38	E0956	Lateral Thoracic (L x H) 100 mm x 127 mm / 4" x 5" Pad - Left	\$147.00
250JW36	E0956	Lateral Thoracic (L x H) 100 mm x 152 mm / 4" x 6" Pad - Right	\$147.00
250JW39	E0956	Lateral Thoracic (L x H) 100 mm x 52 mm / 4" x 6" Pad - Left	\$147.00
250JW37	E0956	Lateral Thoracic (L x H) 152 mm x 100 mm / 6" x 4" Pad - Right	\$147.00
250JW40	E0956	Lateral Thoracic (L x H) 152 mm x 100 mm / 6" x 4" Pad - Left	\$147.00

JAY® Lateral Thoracic Support Pad Upholstery

250NU01	–	Syncra™ Premium Leatherette	NC
250NU02	–	Syncra™ Stretch	NC

JAY® Lateral Thoracic Swing-Away Mount

250JW41	E1034	Lateral Thoracic Swing Away Bracket - Right	\$292.00
250JW42	E1034	Lateral Thoracic Swing Away Bracket - Left	\$292.00

JAY® Syncra™ Fixed Lateral Support Accessory \$

JAY® Fixed Lateral Support Accessory Hardware (JAY® Fixed Lateral Support is height adjustable)

250JW33	E0956	Fixed Lateral Support Accessory (L x H) 90 mm x 140 mm / 3.5" x 8" - Right	\$147.00
250JW34	E0956	Fixed Lateral Support Accessory (L x H) 90 mm x 140 mm / 3.5" x 8" - Left	\$147.00

Headrests (Requires Pad, Upholstery, & Mount) \$**Headrest Pad**

250HE36	E0955	SEDEO® Pad Small With Cover (LxH) 240 x 150 mm / 10" x 6" <i>Can only be used with Multi Position Headrest Mount with Quick Release and SEDEO® Upholstery</i>	\$188.00
250HE38	E0955	Whitmyer® Plush Headrest Pad 203 mm / 8"	\$239.00
250HE39	E0955	Whitmyer® Plush Headrest Pad 254 mm / 10"	\$239.00
250HE44	E0955	Whitmyer® Plush Headrest Pad 356 mm / 14"	\$250.00
250HE46	E0955	Whitmyer® Adjust-A-Plush Headrest Pad Medium (Adjustable from 7 to 16" Wide x 4" Tall)	\$367.00
250HE48	–	OMIT Headrest Pad	NC


Headrest Pad Upholstery

250NU10	–	SEDEO® Upholstery	NC
250NU04	–	Syncra™ Premium Leatherette	NC
250NU05	–	Syncra™ Stretch	NC
250NU11	–	Whitmyer® Lycra	NC

POWERED SEATING

OPTION	HCPC	DESCRIPTION	RETAIL
Headrest Mount			
250MH32	E1033	SEDEO® Multi-Position Headrest Mount with Quick Release <i>(Only available with SEDEO® Pad)</i>	\$234.00
250MH33	E1033	Whitmyer® Linx Headrest Mount with Quick Release	\$192.00
250MH34	E1033	Whitmyer® Linx-2 Headrest Mount with Quick Release	\$234.00
250MH35	E1033	Whitmyer® AXYS Headrest Mount with Quick Release	\$123.00
250MH17	–	OMIT Headrest Mount	NC
Push Handles \$			
250PH27	–	Height Adjustable Push Handles	\$350.00
Seat Frame Rails \$			
250SN14	–	Seat Rail Short <i>(For effective seat depth 14" to 18")</i>	NC
250SN15	–	Seat Rail Long <i>(For effective seat depth 17" to 22")</i>	NC
Seat Cushion Type \$			
250ST81	–	JAY® Syncra™ Cushion (See Section D)	NC
250ST80	–	JAY® (See Section E)	NC
250ST75	–	Omit	NC
C - Seat Size \$			
Seat Pan Width			
250R53	–	16"	NC
250R54	–	17"	NC
250R55	–	18"	NC
250R56	–	19"	NC
250R57	–	20"	NC
250R58	–	21" <i>(Not available with JAY® Syncra™ Cushions)</i>	NC
250R59	–	22"	NC
Seat Pan Depth (Front of seat pan to front of back cushion – effective depth)			
250RF52	–	14" <i>(N/A with PRO ADVANCED)</i>	NC
250RF53	–	15" <i>(N/A with PRO ADVANCED)</i>	NC
250RF51	–	16" <i>(N/A with PRO ADVANCED)</i>	NC
250RF45	–	17"	NC
250RF46	–	18"	NC
250RF47	–	19"	NC
250RF48	–	20"	NC
250RF49	–	21" <i>(Not available with JAY® Syncra™ Cushions)</i>	NC
250RF50	–	22"	NC

POWERED SEATING

OPTION	HCPC	DESCRIPTION	RETAIL
D - JAY® Syncra™ Cushion  P. 23 (JAY Your Way modifications available through Customer Service (800) 333-4000)			\$
250CU89	E2622	JAY® Syncra™ Cushion featuring JAY Flow® Fluid with Cryo™ Technology (16" to 20" wide)	\$630.00
250CU90	E2623	JAY® Syncra™ Cushion featuring JAY Flow® Fluid with Cryo™ Technology (22" wide)	\$729.00

JAY® Syncra™ Cushion Cover Upholstery

250YR73	–	Syncra™ Premium Leatherette	NC
250YR74	–	Syncra™ Stretch	NC

E - JAY® Seat Cushion

E - JAY® Seat Cushion			\$
250CU59	E2607	JAY® Ion® (Sizes 16" - 21" Wide)	\$460.00
250CU60	E2608	JAY® Ion® (Size 22" Wide)	\$578.00
250CU61	E2607	JAY® Union® (Sizes 16" - 21" Wide)	\$520.00
250CU62	E2608	JAY® Union® (Size 22" Wide)	\$635.00
250CU64	E2622	JAY® Fusion® (Sizes 16" - 21" Wide)	\$514.00
250CU65	E2623	JAY® Fusion® (Size 22" Wide)	\$613.00

POSITIONING SUPPORTS & ACCESSORIES

OPTION	HCPC	DESCRIPTION	RETAIL
Knee and Thigh Swing-Away Support Pads			\$
Lateral Knee Support Pads and Hardware (must pick pad and mount)			
250XY05	E0953	Lateral Knee Support Pad, Right (4" round)	\$205.00
250XY06	E0953	Lateral Knee Support Pad, Left (4" round)	\$205.00
250XX08	E1028	Lateral Swing-Away Bracket Knee - Right	\$268.00
250XX09	E1028	Lateral Swing-Away Bracket Knee - Left	\$268.00
Lateral Thigh Support Pads and Hardware (must pick pad and mount)			
250KF22	E0953	Lateral Thigh Support Pad Short - Right (5"x5")	\$147.00
250KF23	E0953	Lateral Thigh Support Pad Short - Left (5"x5")	\$147.00
250KF24	E0953	Lateral Thigh Support Pad Long - Right (5"x7")	\$147.00
250KF25	E0953	Lateral Thigh Support Pad Long - Left (5"x7")	\$147.00
250KF26	E1028	Lateral Thigh Removable Mount - Right	\$292.00
250KF27	E1028	Lateral Thigh Removable Mount - Left	\$292.00
JAY® Lateral Thigh Supports (Must pick pad, upholstery, and mount)			\$
JAY® Lateral Thigh Support Pads			
250KF16	E0953	Lateral Thigh Support Pad Standard, Right (8.25" x 3.25")	\$147.00
250KF17	E0953	Lateral Thigh Support Pad Standard, Left (8.25" x 3.25")	\$147.00
250KF18	E0953	Lateral Thigh Support Pad Large, Right (12" x 3.25")	\$147.00
250KF19	E0953	Lateral Thigh Support Pad Large, Left (12" x 3.25")	\$147.00
JAY® Lateral Thigh Support Pad Upholstery			
250NU07	–	Syncra™ Premium Leatherette	NC
250NU08	–	Syncra™ Stretch	NC
JAY® Lateral Thigh Removable Mount			
250KF20	E1028	Lateral Thigh Removable Mount - Right	\$292.00
250KF21	E1028	Lateral Thigh Removable Mount - Left	\$292.00
Armrest Structure			\$
250EG35	–	Reclining, Flip Back, Long (Height adjustable 9" to 15")	NC
250EG41	–	Reclining, Flip Back, Short (Best used with shorter seat depths) (Height adjustable 9" to 15")	NC
250EG36	–	Reclining, Flip Back with 2-point post locking arm (Height adjustable 11" to 15" x .625")	\$292.00
250EG51	–	Reclining, Flip Back, Dual Link Armrest (No Charge for Multi-Power) (Required for PRO ADVANCED) (Height adjustable 8" to 15" including length and lateral adjustment)	NC
250EG52	–	Reclining, Flip Back, Dual Link Armrest (Height adjustable 8" to 15" including length and lateral adjustment)	\$352.00
250EG32	–	Single Post, Flip Back (N/A with thigh support), (Height adjustable 10" to 15")	NC

POSITIONING SUPPORTS & ACCESSORIES

OPTION	HCPC	DESCRIPTION	RETAIL
--------	------	-------------	--------

Arm Pads

\$

SEDEO® Armrest Pad

250AB43	–	300 mm / 12", Integral Foam, Right	NC
250AE43	–	300 mm / 12", Integral Foam, Left	NC
250AB44	–	400 mm / 16", Integral Foam, Right	NC
250AE44	–	400 mm / 16", Integral Foam, Left	NC

Comfort Arm Pad (Foam)

250AB46	–	2" Wide Right	\$88.00
250AE46	–	2" Wide Left	\$88.00

Comfort Arm Pad (Gel)

250AB48	–	2" Wide Right	\$175.00
250AE48	–	2" Wide Left	\$175.00

Ottobock® Arm Troughs

250AE06	–	Ottobock® Arm Trough, Med (12"), Left	\$136.00
250AB06	–	Ottobock® Arm Trough, Med (12"), Right	\$136.00
250AE07	–	Ottobock® Arm Trough, Large (14") Left,	\$136.00
250AB07	–	Ottobock® Arm Trough, Large (14"), Right	\$136.00
2500L01	–	Ottobock® Hand Pad, Med (7"), Left	\$59.00
2500R01	–	Ottobock® Hand Pad, Med (7"), Right	\$59.00
2500L02	–	Ottobock® Hand Pad, Large (9"), Left	\$59.00
2500R02	–	Ottobock® Hand Pad, Large (9"), Right	\$59.00
250AE78	–	Ottobock® One Piece Arm Trough, (18"), Left	\$190.00
250AB78	–	Ottobock® One Piece Arm Trough, (18"), Right	\$190.00

Elbow Support

\$

2503A02	–	Elbow Support Pad, RH 3" x 10" <i>(Includes side support)</i>	\$179.00
2503A03	–	Elbow Support Pad, LH 3" x 10" <i>(Includes side support)</i>	\$179.00
2503A06	–	Elbow Support Pad, RH 3" x 3"	\$149.00
2503A07	–	Elbow Support Pad, LH 3" x 3"	\$149.00
2503A04	E1028	Swing-Away Elbow Support Hardware, RH	\$245.00
2503A05	E1028	Swing-Away Elbow Support Hardware, LH	\$245.00

Side Guards (Pair)

\$

250SG44	E0953	Side Guards Integral Foam (11"L x 5.5"H) <i>(N/A with Reclining Armrests)</i>	\$239.00
---------	-------	---	----------

Fixed Centermount Legrest

\$

250H183	–	SEDEO® Fixed Centermount Legrest <i>(3" to 17.5" Leg Length)</i>	\$292.00
250H184	–	Fixed Centermount Legrest, Short <i>(Includes Calf Pads & Single Footplate) (11.5" to 14.5" Leg Length)</i>	NC
250H185	–	Fixed Centermount Legrest, Long <i>(Includes Calf Pads & Single Footplate) (13.5" to 18.5" Leg Length)</i>	NC

POSITIONING SUPPORTS & ACCESSORIES

OPTION	HCPC	DESCRIPTION	RETAIL
Power Centermount Legrest			\$
250H175	E1012	Power Centermount Legrest, 90° - 0° Angle, 7.5" Extension (<i>Mechanical Articulation</i>) (5" to 17.5" Leg Length)	\$2,706.00
250H109	E1012	Power Centermount Legrest, 90° - 0° Angle, 7.5" Extension (<i>Powered Articulation</i>) (3" to 17.5" Leg Length) (<i>Required for PRO ADVANCED</i>)	\$3,791.00
Power Centermount Legrest Accessories			\$
Footplates			
250F127	K0040	Dual, Height, Width and Angle Adjustable, Standard (14"W x 10"D)	\$197.00
250F128	K0040	Dual, Height, Width and Angle Adjustable, Large (16"W x 12"D)	\$197.00
Footplate Accessories (Available with Power Centermounts)			
250DI68	K0108	Extra Large Centermount Footplate (<i>Single Footplate Overlay 16"W x 12"D</i>)	\$199.00
250DI69	K0108	Footplate Connector Link (<i>Attaches footplates together</i>)	\$97.00
250DI57	K0108	Gel Footpads (<i>Pair, LH and RH</i>)	\$403.00
Calf Pad Options			
250DI34	–	Calf Pads, Pair, Standard	NC
250DI35	E0995	Calf Pads, Pair, Padded	\$408.00
Knee Block (Required for Anterior Tilt)			
250DI37	E0957	Knee Blocks: Dual, Height, Width and Angle Adjustable	\$414.00
250DI55	E1028	Knee Block Quick Release Removable Hardware	\$141.00
SEDEO® PRO™ Swing-Away Legrest (Pair)			\$
250H177	–	Legrests, Swing-Away, 70°, SEDEO® PRO™ (14" to 21" Leg Length)	NC
250H178	E0990	Legrests, Manual Elevating, Swing-Away, SEDEO® PRO™ (<i>Includes Padded Calf Pads</i>) (14".5 to 21.5" Leg Length)	\$408.00
250H179	E1010	Legrests, Power Elevating, Swing-Away, SEDEO® PRO™ (<i>Includes Padded Calf Pads</i>) (15.5" to 22.5" Leg Length)	\$2,508.00
250DI76	–	Omit Legrests	NC
Swing-Away Legrest Footplates			
250F369	K0040	Angle Adjustable Flip-Up Footplates	\$197.00
Swing-Away Legrest Calf Supports			
250DI42	–	Calf Support, Depth Adjustable, Padded (<i>6.5" to 8" Wide, Depending On Chair Width, x 9.5" Tall</i>)	\$460.00
Swing-Away Legrest Options			
250DI44	E0951	Heel Loops	\$58.00
250KG4	–	Knee Pads, Integral Foam (<i>2.5" Wide x 4.5" Tall</i>)	\$234.00
SEDEO® Lower Extremity Swing-Away Support			
250VD01	E1020	Lower Extremity Support, Padded, Swing-Away, SEDEO®, Right	\$460.00
250VD02	E1020	Lower Extremity Support, Padded, Swing-Away, SEDEO®, Left	\$460.00

POSITIONING SUPPORTS & ACCESSORIES

OPTION	HCPC	DESCRIPTION	RETAIL
Pelvic Positioning Belts			
250A837	–	Positioning Belt, Auto Style Buckle, 50 mm 1600 mm / 2"	NC
250A839	–	Positioning Belt, Aircraft Buckle, 50 mm x 1300 mm / 2"	NC
250A840	E0978	Positioning Belt, Aircraft Buckle, Padded 50 mm x 1300 mm / 2"	\$88.00
250A845	K0108	Bodypoint - Evoflex Pelvic Stabilizer Belt	\$203.00
250A846	K0108	Bodypoint - Evoflex Pelvic Stabilizer Belt with Extension	\$224.00
Chest Straps			
250ZR06	–	Chest Strap, 2-Point, Padded <i>(Required)</i>	NC
250ZR07	–	Additional Chest Strap, 2-Point, Padded	\$292.00
Chest Bars			
250ZR08	–	Chest Bar, Detachable, Round Pad	\$578.00
250ZR09	–	Chest Bar, Detachable, Flat Pad, 200 mm x 100 mm	\$615.00
Accessories \$			
Ventilator Option			
250VT12	E1029	Vent Tray Fixed <i>(Pulmonetic LTV Models)</i>	\$542.00
O2 Tank Option			
250A718	E2208	O2 Tank Holder Mounted to Backrest <i>(D and E Styles)</i>	\$379.00
Wheelchair Tray Table			
2507A09	E0950	Tray, Swing-Away	\$408.00
Backpack			
250A1	–	Black Utility	\$63.00
Medial Thigh Support (N/A with Centermount Legrests)			
2508A80	E0957	Medial Thigh Support	\$197.00
2508A81	E1028	Pommel Swing-Away Hardware	\$292.00
Misc. Accessories			
2508A59	–	Transfer Bar <i>(Pair)</i>	\$408.00
2508A52	–	Ram Mount Phone	\$100.00
2508A53	–	Ram Mount Tablet	\$408.00
2508A54	–	Ram Mount Cup Holder	\$100.00
2508A58	–	Rear View Mirror	\$100.00
250A611	–	Crutch Holder <i>(N/A w/Power Recline)</i>	\$147.00
2508A73	–	Bag for Armrest	\$100.00
2508A75	–	Reflectors <i>(Backrest shroud mounted)</i>	\$100.00
2509A10	–	Utility Hooks	\$60.00

JOYSTICK / ELECTRONICS			
OPTION	HCPC	DESCRIPTION	RETAIL
R-net Joystick (<i>Remote</i>)			\$
250J121	–	Standard LED Joystick (<i>w/o Screen Display</i>)	NC
250J116	–	Color Joystick (<i>2.3" Color LCD Screen Display, CJSM1</i>)	NC
250J118	–	High Resolution Color Joystick,(CJSM2+BT) <i>3.5" Color LCD Display, Paddle Switches, Programmable Shortcut Keys, ICONs, Stereo Jack, IR and dual (IOS/Android) Bluetooth control</i>	\$1,230.00
250J119	–	Omit Remote Control (<i>Required with arm mounted specialty controls</i>)	NC
Joystick Mounting			\$
250JM34	–	Fixed on Armrest	NC
250JM35	E1032	Parallel Swing-Away	\$345.00
250JM36	E1032	Link-It Mid Line Mount on Armrest (<i>Swing-Away</i>)	\$991.00
250JM49	–	Attendant (<i>Available with LED or CJSM1 only. Mounted to Push Handle</i>)	NC
Joystick Mount (Location)			\$
250HM16	–	Right Hand	NC
250HM17	–	Left Hand	NC
Display Language Selection R-net			\$
250L1	–	English	NC
250L3	–	French	NC
250L7	–	Spanish	NC
Joystick Handle (Optional)			\$
250JH13	E2323	Ball Handle	\$147.00
250JH15	E2323	T-Handle	\$147.00
250JH24	E2323	Bodypoint – Rubber Dome Joystick Handle	\$191.00
250JH25	E2323	Bodypoint – U-Shaped Joystick Handle (<i>4 inch</i>)	\$191.00
250JH26	E2323	Bodypoint – Grooved Mushroom Joystick	\$191.00
Electronic Programmers			\$
250PR13	–	R-net PC Wireless Programmer	\$613.00
R-net Power Modules			\$
250ER11	–	Power Module, R-net, 120A, Non-Expandable (<i>Only available with Group 4</i>)	NC
250ER10	–	Power Module, R-net, 120A, Expandable (<i>Only available with Group 4</i>) <i>Required for specialty controls or 3+ actuators</i>	\$1,454.00
250EX09	E2377	Expandable 120A Controller - R-net	\$764.00
250EX10	E2313	Harness for 120A Expandable Controller	\$690.00
250ER18	–	Power Module, R-net, 90A, Non-Expandable (<i>Available with No Power and Single Power</i>)	NC
250ER17	–	Power Module, R-net, 90A, Expandable <i>Required for specialty controls or 3+ actuators</i>	\$1,454.00
250EX15	E2377	Expandable 90A Controller - R-net	\$764.00
250EX16	E2313	Harness for 90A Expandable Controller	\$690.00

JOYSTICK / ELECTRONICS

OPTION	HCPC	DESCRIPTION	RETAIL
--------	------	-------------	--------

Seating Control

\$

Powered Seating Control

250E040	–	Omit Thru-Drive <i>(Requires Switch Control)</i>	NC
250E037	E2310	Thru-Drive Control for 1 Actuator	\$2,240.00
250E038	E2311	Thru-Drive Control for 2+ Actuators	\$4,055.00
250E032	E2311	CxSM, Thru-Drive Control for 2+ Actuators <i>(Required for PRO ADVANCED)</i>	\$4,055.00

Switch Control *(Available with Omit Thru-Drive only) (1 actuator for Tilt or Elevate only)*

250E033	–	Dual Toggle for 1 Actuator	NC
250E034	–	2.5" Single Button Switch for 1 Actuator <i>(Button switches are not mounted)</i>	NC
250E041	–	Ctrl+5 Switch Box with Voice Activation for 2 Actuators or More	NC

Additional Power Seating Control *(Available with Thru-Drive only)*

250QG11	–	Ctrl+5 Switch Box with Voice Activation	\$1,459.00
250QG12	–	Ctrl+5 Switch Box with Voice Activation <i>(Multi-power only)</i>	NC

Dual Toggle Mounting Location

250TN1	–	Toggle Mount, Right	NC
250TN2	–	Toggle Mount, Left	NC

Ctrl+5 Mounting Location *(Will swing away if mounted in the same location as the joystick)*

250EY19	–	Right Armrest	NC
250EY20	–	Left Armrest	NC
250EY21	–	Back Cane, Right	\$175.00
250EY24	–	Back Cane, Left	\$175.00

Ctrl+5 Switch Type

250EY22	–	Push Buttons	NC
250EY23	K0108	Toggle Switches	\$350.00

Attendant Controls

\$

2500A05	E2331	Dual Control Module for Attendant	\$1,517.00
2500A06	E2331	R-net Color LCD (CJSM1), Attendant Control Only	\$1,517.00

Attendant Mounting Location

\$

250DN5	–	Right Back Cane	NC
250DN6	–	Left Back Cane	NC

JOYSTICK / ELECTRONICS

OPTION	HCPC	DESCRIPTION	RETAIL
--------	------	-------------	--------

R-net Programming

\$

Assignable Buttons

Assignable Button feature allows for personalization of joystick buttons and/or Ctrl+5 Switches allowing access to various wheelchair and seating functions. When enabled, chair will be pre-programmed with seating functions assigned to buttons on the joystick. Assignments can be changed via PC Dongle.

250PM12	–	Include Assignable Buttons	NC
---------	---	----------------------------	----

Power Centermount Footplate Extension Option

250IE03	K0108	Include 7.5" Powered Footplate Extension for Transfer Assist (Electronics programmed to allow footplates to be extended with or without legrest being raised.) Only available with Powered Articulation.	\$1,459.00
---------	-------	--	------------

R-net Omni2 Options *For Expandable Controls, choose all that apply.*

\$

2500N14	–	R-net Omni2 Only Input Control Module and 3.5" LCD Display w/ Built-In Infrared & Bluetooth Choose Mount Below	\$2,072.00
2500N15	–	R-net Omni2 Bundled Input Control Module and 3.5" LCD Display w/ Built-In Infrared & Bluetooth Bundled Omni2 Available w/ Switch-It Input Devices	NC

Omni2 Mount *If used w/ Standard Joystick, it must be mounted opposite side.*

\$

250DS14	E1032	Link-It with Parallel Swing-Away Omni2 Mount w/ Rear Mounted Interface, Right	\$578.00
250DS15	E1032	Link-It with Parallel Swing-Away Omni2 Mount w/ Rear Mounted Interface, Left	\$578.00

PRO ADVANCED Programming

\$

Biometric Repositioning

250PM03	–	Include Biometric Repositioning (Requires Memory Position #1, #2, #3 below)	NC
---------	---	---	----

Memory Seating

"Memory Seating" feature allows for up to six custom seating positions that are accessed either through the joystick, Ctrl+5, joystick shortcut keys or programmable jacks on Omni2 and joystick. Choose desired preset settings below. Default positions are dealer adjustable.

250PM06	–	Include #1 Memory Seating (Seated) (Required)	NC
250PM07	–	Include #2 Memory Seating (Supine)	NC
250PM08	–	Include #3 Memory Seating (Pressure Relief)	NC
250PM09	–	Include #4 Memory Seating (Feet Above Heart)	NC
250PM10	–	Include #5 Memory Seating (Transfer)	NC
250PM11	–	Include #6 Memory Seating (C-Me)	NC

PRAR Pressure Relief Alert and Reminders

PRAR Pressure Relief Alert and Record feature provides programmable alerts to be set into the R-net electronics that will prompt the user when it is time to perform a pressure relief. The R-net system will record how often the pressure relief is completed or ignored.

250PM14	–	Include PRAR (Minimum requirement Memory Position #1 and #3)	NC
---------	---	--	----

SPECIALTY INPUT DEVICES

OPTION	HCPC	DESCRIPTION	RETAIL
--------	------	-------------	--------

Hand Control Packages *Requires Standard Joystick Omit / Only one hand control device can be ordered.*

\$

Proportional Input Devices

250EU14	E2312	Switch-It MicroGuide	\$3,844.00
250EU17	E2328	Switch-It VersaGuide	\$2,118.00
250EU18	E2328	Switch-It VersaGuide EZ	\$2,502.00

Mounting Position (Required)

250EM04	E1032	Link-It to the Backrest <i>(Not Available w/ Omit Back Cushion Type)</i>	\$1,109.00
250EM05	E1032	Link-It to the Fixed Joystick Mount	\$345.00
250EM06	E1032	Link-It to the Parallel Swing-Away Joystick Mount	\$578.00
250EM07	E1032	Link-It to the Midline Swing-Away	\$1,225.00
250EM08	–	Omit Mount	NC

Mounting Platforms (Optional) *Not available w/ Link-It to Backrest*

250MG16	E0950	SunDisk Hand Tray <i>(Only available w/ MicroSeries Joysticks)</i>	\$345.00
250MG15	E0950	Bullet Hand Tray	\$345.00

Mounting Location (Required)

250IM09	–	Right	NC
250IM10	–	Left	NC

Switch Options

–	–	See Switch Selections <i>(Maximum 2)</i>	–
---	---	--	---

Head Control Packages *(Select headrest mount)*

\$

*Only one head control device can be ordered.***Proportional Input Devices**

250EU25	E2328	Switch-It DualPro® Proportional Head Array - Facial Pads	\$6,668.00
250EU26	E2328	Switch-It DualPro® Proportional Head Array - Spot Pads	\$6,668.00
250EU51	E2328	Switch-It Vigo Head Drive	\$5,648.00

Switched Input Devices

250EU28	E2330	Switch-It 3-Switch Head Array - Short Curved Wings	\$5,127.00
250EU30	E2330	Switch-It 3-Switch Head Array - Long Curved Wings	\$5,127.00

Switch Options

–	–	See Switch Selections <i>(Maximum 2)</i>	–
---	---	--	---

Sip 'N Puff

\$

250ID73	E2330	Switch-It Sip 'N Puff Combo Head Array with Link-It Hardware <i>(Requires headrest mount)</i>	\$5,827.00
250ID74	K0108	Switch-It OptiStop with Sip 'N Puff	\$2,270.00

Headrest Mounts *(Applies to Head/Sip 'N Puff control packages)*

\$

250IJ13	E1033	Whitmyer® Linx Headrest Mount with Quick Release	\$192.00
250IJ14	E1033	Whitmyer® Linx-2 Headrest Mount with Quick Release	\$234.00
250IJ15	E1033	Whitmyer® AXYS Headrest Mount with Quick Release	\$123.00

SPECIALTY INPUT DEVICES

OPTION	HCPC	DESCRIPTION	RETAIL
Chin Control Packages			\$
Proportional Input Devices			
250EU34	E2312	Switch-It MicroGuide <i>(Switches mounted to the headrest only.)</i>	\$3,844.00
250EU36	E2328	Switch-It VersaGuide	\$2,118.00
250EU37	E2328	Switch-It VersaGuide EZ	\$2,502.00
Mounting Position			
250EM09	E1032	Link-It To Chin Harness, Small (150mm / 6")	\$1,459.00
250EM10	E1032	Link-It To Chin Harness, Large (220mm / 8")	\$1,459.00
250EM11	E1032	Link-It To Headrest (Swing-Away)	\$1,459.00
250EM16	–	Omit Mount	NC
Input Device Mounting Location			
250IM13	–	Right	NC
250IM14	–	Left	NC
Switch Options			
–	–	See Switch Selections	–
Safety Devices			\$
250SA06	–	Switch-It Remote Stop Switch - XLR Connector	\$1,091.00
Switched Driving Packages			\$
250SW44	E2328	Switch-It™ Cool Cube with DB9 connector for proximity/proportional switch driving. <i>(Pro Spot proportional switches are required if proportional driving is desired.) (For non-proportional driving, single switches can be used.)</i>	\$4,048.00

SPECIALTY INPUT DEVICES

OPTION	HCPC	DESCRIPTION	RETAIL
--------	------	-------------	--------

Switches

Single switches can be programmed to activate any function of the wheelchair including: On/Off, Mode, Profile, Speeds, Seating, Memory Positions, Horn, Lights & Indicators, IR functions, Bluetooth mouse clicks, Environmental Controls when plugged into assignable port.

Switches can connect via: Joysticks (Standard, Micro series, Versa series) Omni2, head controls

Switch ordering instructions:

1. Select switch type and quantity in Section "A" using columns below. (Max 6 switches. See limitations below.)
2. Select switch mounting position from Section "B" using corresponding switch column.
3. Select switch mounting location from Section "C" using corresponding switch column.

Section A – Switch Selections

Switch / Quantity

Single Function Switches - Mechanical Switches

	Switch 1	Switch 2	Switch 3	Switch 4	Switch 5	Switch 6	\$
2.5" Single Switch - Black							\$227.00
2.5" Single Switch - Blue							\$227.00
2.5" Single Switch - Green							\$227.00
2.5" Single Switch - Red							\$227.00
2.5" Single Switch - Yellow							\$227.00
Egg Switch - Black							\$129.00
Egg Switch - Blue							\$129.00
Egg Switch - Green							\$129.00
Egg Switch - Red							\$129.00
Egg Switch - Yellow							\$129.00
MicroLite (Includes color labels)							\$192.00
Mini Button 1 - Blue (Velcro)							\$123.00
Mini Button 1 - Green (Velcro)							\$123.00
Mini Button 1 - Red (Velcro)							\$123.00
1" Single Switch - Black							\$321.00
1" Single Switch - Blue							\$321.00
1" Single Switch - Green							\$321.00
1" Single Switch - Orange							\$321.00
1" Single Switch - Red							\$321.00
1" Single Switch - Yellow							\$321.00

Electronic Switches

Flex Switch (Headrest mount only)							\$250.00
-----------------------------------	--	--	--	--	--	--	----------

ProSpot - Proportional Switches

ProSpot Proportional Switch - Red							\$554.00
ProSpot Proportional Switch - Green							\$554.00
ProSpot Proportional Switch - Blue							\$554.00
ProSpot Proportional Switch - Yellow							\$554.00
ProSpot Proportional Switch - Orange							\$554.00

Section B – Switch Mounting Position

Link-It to the Backrest (Up to 1 per side)							\$759.00
Link-It to the Headrest - Gooseneck (Up to 2 per side)							\$759.00
Link-It to the Fixed Joystick Mount (Up to 2 per side)							\$578.00
Link-It to the Parallel Swing-Away Joystick Mount (Up to 2 per side)							\$578.00
Link-It to the Seat Rail (Up to 2 per side) (Not avail w/knee & thigh supports)							\$460.00
Omit Mount (includes Velcro)							NC

Section C – Switch Mounting Location

Right side of chair							NC
Left side of chair							NC

Joystick Integrated Switches (Pair)

250J003	–	Proximity Switches on Flex Mount, Pair (Used with VersaGuide/VersaGuide EZ)					\$1,161.00
---------	---	---	--	--	--	--	------------

JAY® SYNCRA™ SEATING MEASURING GUIDE

JAY® SYNCRA™ BACK



Backrest Width	16"	18"	20"	22"
Max User Trunk Width	13.5"	15.5"	17.5"	19.5"

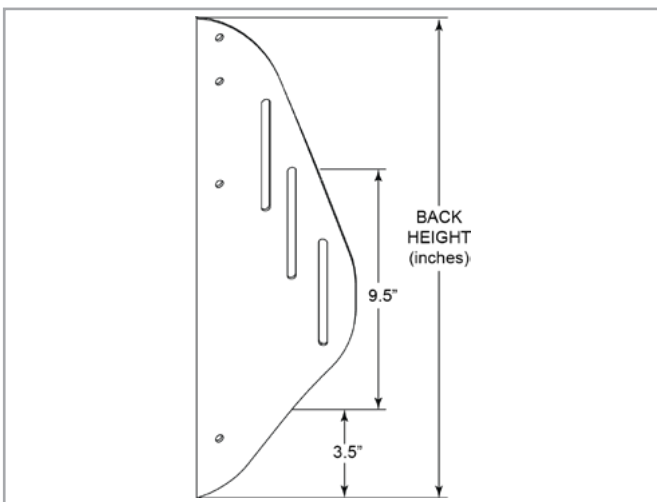
JAY® Swing-Away Lateral Thoracic Adjustment Range

Syncra Back Width	Width Range	Height range from bottom of shell to seat pan
16"	10" to 24"	12" to 19.5"
18"	12" to 26"	12.5" to 21.5"
20"	14" to 28"	12.5" to 22"
22"	16" to 30"	13.5" to 23"

Syncra™ Fixed Lateral Support Accessory Range

Syncra Back Width	Width Range	Height range from bottom of shell to seat pan	Contour Depth Range
16"	16.4" to 16.8"	6" to 8"	3" to 5"
18"	18.4" to 18.8"	6" to 8"	3" to 5"
20"	20.4" to 20.8"	6" to 8"	3" to 5"
22"	22.4" to 22.8"	6" to 8"	3" to 5"

Syncra™ Back Shell Height Diagram



JAY® SYNCRA™ CUSHION



JAY® Lateral Thigh Support Adjustment Range

Syncra Cushion Width	Width Range
16"	8.5" to 16.0"
17"	9.5" to 17.0"
18"	10.5" to 18.0"
19"	11.5" to 19.0"
20"	12.5" to 20.0"
22"	14.5" to 22.0"



Q700 M with SEDEO® PRO™

\$

Base Price

Total of additional equipment

Packaging and transport

Total Price

Signature