



QM-710/715HD/720

## Quickie® QM-710/715HD/720

BC, SC, MPC / BD, SD, MPD

**Supplier:** This manual must be given to the user of this wheelchair.

**User:** Before using this wheelchair read this entire manual and save for future reference.

Owner's Manual

## Quickie® QM-710/715HD/720

BC, SC, MPC / BD, SD, MPD

**Distribuidor:** Este manual debe ser entregado al pasajero de esta silla de ruedas.

**Pasajero:** Antes de usar esta silla de ruedas, lea este manual en su totalidad y guárdelo para futura referencia.

Cada una de las sillas se envía con un manual de instrucciones en inglés. El manual en español o francés está disponible en formato PDF en nuestra página de Internet: [www.SunriseMedical.com](http://www.SunriseMedical.com). Ingrese a la página del producto específico para descargar el manual, o comuníquese con el proveedor autorizado de Sunrise Medical.

Manual de Instrucciones

## Quickie® QM-710/715HD/720

BC, SC, MPC / BD, SD, MPD

**Fournisseur:** Ce manuel doit être remis à l'utilisateur / utilisatrice de ce fauteuil roulant.

**Utilisateur / Utilisatrice:** Avant d'utiliser ce fauteuil roulant, lisez entièrement ce manuel et conservez le pour le consulter ultérieurement.

Chaque fauteuil est livré avec un manuel d'instructions en anglais. Les versions en espagnol et en français sont à votre disposition en format PDF sur le site: [www.SunriseMedical.com](http://www.SunriseMedical.com). Veuillez vous rendre à la page de votre produit pour télécharger le manuel dans la langue souhaitée, ou contactez un fournisseur agréé Sunrise Medical.

Mode d'emploi

MK-100158 Rev. H



## SUNRISE LISTENS

Thank you for choosing a Quickie wheelchair. We want to hear your questions or comments about this manual, the safety and reliability of your chair, and the service you receive from your Authorized Dealer. Please feel free to write or call us at the address and telephone number below:

Sunrise Medical (US) LLC  
Customer Service Department  
12002 Volunteer Blvd.  
Mount Juliet, TN 37122, USA  
(800) 333-4000

Be sure to register your wheelchair and let us know if you change your address. This will allow us to keep you up to date with information about safety, new products, and options to increase your use and enjoyment of this wheelchair.

You can also register your wheelchair at:  
[www.SunriseMedical.com/help-support/register-my-wheelchair](http://www.SunriseMedical.com/help-support/register-my-wheelchair).

## FOR ANSWERS TO YOUR QUESTIONS

Your Authorized Dealer knows your wheelchair best, and can answer most of your questions about chair safety, use and maintenance. For future reference, fill in the following:

Supplier: \_\_\_\_\_

Address: \_\_\_\_\_  
\_\_\_\_\_

Telephone: \_\_\_\_\_

Serial #: \_\_\_\_\_ Date/Purchased: \_\_\_\_\_

## INFORMATION YOU SHOULD KNOW

No component of this chair was made with Natural Rubber Latex.



## DISPOSAL AND RECYCLING INFORMATION

When this product reaches the end of its life, please take it to an approved collection or recycling point designated by your local or state government. This wheelchair is manufactured using a variety of materials. Your product should not be disposed of as ordinary household waste. You should dispose of your wheelchair properly, according to local laws and regulations. Most materials that are used in the construction of this product are fully recyclable. The separate collection and recycling of your product at the time of disposal will help conserve natural resources and ensure that it is disposed in a manner that protects the environment.

Ensure you are the legal owner of the product prior to arranging for the product disposal in accordance with the above recommendations.



[www.SunriseMedical.com/help-support/register-my-wheelchair](http://www.SunriseMedical.com/help-support/register-my-wheelchair)

## USER WARNING



Attention wheelchair users, do not operate this wheelchair without first reading this owner's manual. If you do not understand the instructions and warnings of this owner's manual please contact your Authorized Dealer before operating this Quickie wheelchair. Failure to do so may result in damage and/or injury.

## DEALER/TECHNICIAN WARNING



Attention dealers and qualified technicians, do not operate or service this wheelchair without first reading this owner's manual. If you do not understand the instructions and warnings of this owner's manual please contact the Quickie Technical Service Department before operating and/or servicing this Quickie wheelchair. Failure to do so may result in damage and/or injury.

## ELECTROSTATIC DISCHARGE



Power wheelchairs have printed circuit boards. Careful attention should be given to printed circuit board handling techniques to avoid damaging the control, and/or drive electronics of the chair, this could create a safety hazard. Do not expose or remove printed circuit boards. Contact your Authorized Dealer for help with any electronics issues.

## Related Documents

Listed below are additional documents which are referenced in this owner's manual.

- RNET Owner's Manual:  
PG Drives Technology CJSM2 Installation manual
- RNET OBP Owner's Manual
- RNET Omni2 Owner's Manual
- QM-710/715HD/720 Service Manual

I. INTRODUCTION.....	2	T. Lift and Lift/Tilt Combination.....	13
II. TABLE OF CONTENTS.....	3	U. SureTrac .....	13
III. YOUR CHAIR AND ITS PARTS.....	4	V. Transit Option and Use.....	13
IV. NOTICE– READ BEFORE USE.....	5	VIII. USE AND MAINTENANCE.....	14
V. EMI (ELECTROMAGNETIC INTERFERENCE).....	5	A. Introduction.....	14
A. What is EMI?.....	5	B. Cleaning.....	14
B. What effect can EMI have?.....	5	C. Storage Tips.....	14
C. Sources of EMI.....	5	D. Tire Pressure.....	14
D. Distance from the Source.....	6	E. Motor Brushes.....	14
E. Immunity Level.....	6	F. Disposing of Batteries.....	14
F. Report all suspected EMI incidents.....	6	G. Ordering Parts.....	14
G. EMI from Chair.....	6	H. Safety Checklist.....	14
H. Head Array Safety and RFI.....	6	I. Folding Backrest.....	15
VI. GENERAL WARNINGS.....	7	J. Manual Recline Operation.....	15
A. Notice to User and Attendants.....	7	K. Swing-away Footrests.....	15
B. Weight Limit.....	7	L. Elevating Legrest (option).....	15
C. Controller Settings.....	7	M. Fixed-height (Standard), Dual-Post Height-Adjust Armrest (option).....	16
D. Safety Check List.....	7	N. Single Post Height Adjustable Armrests.....	16
E. Changes and Adjustments.....	7	O. Retracting, Swing-away, and Midline Joystick Mounts.....	16
F. Accessories.....	7	P. Motor Lock.....	17
G. When Seated in a Parked Wheelchair.....	8	Q. Battery Removal.....	17
H. Environmental Conditions.....	8	R. Inspect.....	17
I. Terrain.....	8	IX. CONTROLS, JOYSTICKS & OPERATING GUIDES.....	18
J. Street Use.....	8	A. Controls.....	18
K. Motor Vehicle Safety.....	8	B. Connectors.....	18
L. Center of Balance.....	8	C. RNET Joysticks & Omni2 Controller.....	18
M. Transfers.....	9	D. Joystick Buttons and Controls.....	19
N. Reaching or Leaning.....	9	E. LCD Screen (Color and advanced).....	20
O. Dressing or Changing Clothes.....	9	F. Performance Control Settings.....	22
P. Obstacles.....	9	G. On-board Programmer, DTT (Diagnostic Test Tool), or RNET PC Programmer (option).....	22
Q. Driving in Reverse.....	9	H. CTRL+5 Assignable Buttons.....	22
R. Ramps, Slopes & Sidehills.....	9	I. Joystick Stationary.....	22
S. To Reduce The Risk Of A Fall, Tip-Over Or Loss Of Control.....	10	J. Thermal Roll-back.....	22
T. Ramps At Home & Work.....	10	K. Power Recline, Tilt & Lift Operation.....	22
U. Wheelchair Lifts.....	10	X. BATTERIES.....	23
V. Driving in low light or at night.....	10	A. Introduction.....	23
W. Curbs & Single Steps.....	10	B. Charging your Batteries.....	23
X. Stairs.....	10	C. Battery Charger.....	23
Y. Escalators.....	10	D. Connecting Batteries in the Battery Compartment.....	24
Z. When seated and driving in lift mode.....	10	E. Battery Maintenance.....	24
VII. WARNINGS: COMPONENTS & OPTIONS.....	11	F. Disposing of Batteries.....	24
A. Armrests.....	11	G. Fuses.....	24
B. Batteries.....	11	H. Battery Wiring Diagram.....	24
C. Cushions and Sling Seats.....	11	XI. DEALER SERVICE AND ADJUSTMENT.....	25
D. Fasteners.....	11	A. Dealer Service Introduction.....	25
E. Footplate and Footrests.....	11	B. Critical Maintenance Tips.....	25
F. Motor Locks.....	11	C. Cleaning.....	25
G. ON/OFF Switch.....	11	D. Adjustment Notes.....	25
H. Pneumatic Tires.....	11	E. Front Lighting Adjustment.....	25
I. Motor and Suspension Springs.....	11	F. Center Mount Hanger Adjustment.....	26
J. Positioning Belts.....	12	G. Angle Adjustable Center Mount Footrest.....	26
K. Push Handles.....	12	H. Power Center Mount Footrest (ASAP).....	27
L. Seating Systems.....	12	I. Fixed Center Mount Footrest (Recline).....	27
M. Upholstery Fabric.....	12	J. Fixed Center Mount Footrest (Power Recline).....	27
N. Suspension.....	12	K. Single-post Height Adjustable Armrests.....	28
O. Wiring.....	12	L. Cantilever Armrests.....	28
P. Assignable Controls.....	12	M. Retractable Joystick Mount.....	29
Q. Power Seating.....	12	N. Midline Joystick Mount.....	29
R. CG Tilt Power Accessory.....	13	O. Seat Depth Adjustment.....	29
S. Power Recline.....	13	P. ASAP II Seating Adjustment.....	30
		Q. Seat Pan and Back Size Adjustments.....	30
		R. Repairing or Replacing a Tire.....	30
		XII. SUNRISE LIMITED WARRANTY.....	31

III. YOUR CHAIR AND ITS PARTS



1. Armrest
2. Joystick
3. Seat Pan
4. Front Hanger
5. Caster Tire
6. Foot Plate
7. Backrest
8. Push Handle
9. Free-wheel Release Lever
10. Seat Frame
11. Drive Wheels
12. Base Frame
13. Caster Fork
14. Transit Tie Down
15. Lift Module (optional) (not shown)

**Models**

- BC / BD
- SC (shown) / SD
- MPC / MPD

**QUICKIE QM-710**

**Weight (in lbs)**

	BD	SD	MPD
	BC	SC	MPC
complete chair:	310	350	375
w/o batteries:	220	260	285

**Drive Wheels**

- 14"x3" Mag: Std. airless insert
- Option - pneumatic, Black pneumatic

**Joystick**

- Standard – RNET LED
- Option - RNET– Color
- Option - RNET– Color w/Speed pot and toggle
- Option Joystick Advanced - Color display, paddle switches, Infrared Output, programmable buttons, Stereo Jacks.

**Batteries**

(2 deep cycle batteries required to operate the chair)

- Standard - Group 24
- Option - Group 22
- Option - Group 34

**Battery Charger**

- Off board 8 AMP

**Shroud Colors**

- Red, Black, Blue, Copper, Silver, White, Yellow, Pink, Green, Blue Opal, Purple, Carbon Fiber, Digital Camo, Pink Camo, Flag, Grunge Skulls, and Matte Black,

**Seats, Upholstery and Style**

- Standard- BC, SC, MPC: A.S.A.P. II Seat Frame
- Sizes: 12" - 22" wide, 12" - 22" deep
- MPC: 14" - 22" wide, 16" - 22" deep
- Power Recline

**Footrest:**

- Standard- Swing away footrests with heel loops
- Option- Foot platform, Manual elevating legrests, Power Articulating Legrest (ALR), Power Center Mount, Fixed Center Mount, Angle Adjustable Center Mount.

**Backrest**

- SC & BC: Standard Canes Angle Adjustable
- Option- 8° Bend, Semi Recline, Folding
- MPC: Recline

**Casters (rear/front)**

- Standard- 6" solid

**Armrest**

- SC & BC: Standard- 14" Cantilever, height adjustable 14" arm pad
- Option- Locking, two-point arm, Dual post Arm, Single Post arm.
- MPC: Reclining/Otto Bock/2 1/4" Padded

**Suspension**

- SpiderTrac

All features may not be available with some chair setups or in conjunction with another chair feature. Please consult your supplier for more information. Your authorized supplier can also provide you with more information on accessories.

## A. CHOOSE THE RIGHT CHAIR & SAFETY OPTIONS

Sunrise provides a choice of many power wheelchair styles, sizes and adjustments to meet the needs of the user. However, final selection of a wheelchair rests solely with you and your health care professional. Choosing the best chair for you depends on such things as:

1. Your size, disability, strength, balance and coordination.
2. Your intended use, and your level of activity.
3. The types of hazards you must overcome in daily use (in areas where you are likely to use your chair).
4. The need for options for your safety and comfort (such as positioning belts or special seat systems).

**INTENDED USE:** Quickie® and Zippie® power wheelchairs are battery-operated devices with wheels that are intended for medical purposes to provide mobility to persons restricted to a sitting position. The Zippie power wheelchairs are specifically for people who are slightly smaller in stature—including children.

## B. ADJUST CHAIR TO YOUR ABILITY

You need to work with your doctor, nurse or therapist, and your Authorized Dealer, to fit this chair and adjust the controller settings for your level of function and ability.

## C. REVIEW THIS MANUAL OFTEN



Before using this chair you, and each person who may assist you, should read this entire Manual and make sure to follow all instructions. Review the warnings often, until they are second nature to you.

## D. WARNINGS

The word “WARNING” refers to a hazard or unsafe practice that may cause severe injury or death to you or to other persons. The “Warnings” are in four main sections, as follows:

1. **V — EMI**  
Here you will learn about electromagnetic interference and how it can affect your chair.
2. **VI — GENERAL WARNINGS**  
Here you will find a safety checklist and a summary of risks you need to be aware of before you ride this chair.
3. **VII — WARNINGS — COMPONENTS & OPTIONS**  
Here you will learn about your chair. Consult your authorized dealer and your health care professional to help you choose the best set-up and options for your safety.
4. **X — BATTERIES**  
Here you will learn about battery and charger safety, and how to avoid injury.

Throughout this owner’s manual and on the wheelchair you will see the icons listed below to identify warnings and potential hazards.

-  **WARNING!** These warnings must be followed, failure to do so may cause personal injury or may damage the wheelchair.
-  **ESD:** Electrostatic Discharge can damage printed circuit boards.

## V. EMI (ELECTROMAGNETIC INTERFERENCE)

### WARNING

Heed all warnings to reduce the risk of unintended brake release or chair movement:

1. **Beware of the danger from hand-held transceivers. Never turn on or use a hand-held transceiver while power to your chair is on. Use extra care if you believe that such a device may be in use near your chair.**
2. **Be aware of nearby radio or TV stations, and avoid coming close to them.**
3. **If unintended movement occurs, turn your chair off as soon as it is safe to do so.**

### A. WHAT IS EMI?

#### WARNING

1. EMI means: electromagnetic (EM) interference (I). EMI comes from radio wave sources such as radio transmitters and transceivers. (A “transceiver” is a device that both sends and receives radio wave signals).
2. There are a number of sources of intense EMI in your daily environment. Some of these are obvious and easy to avoid. Others are not, and you may not be able to avoid them.
3. Powered wheelchairs may be susceptible to electromagnetic interference (EMI) emitted from sources such as radio stations, TV stations, amateur radio (HAM) transmitters, two way radios, and cellular phones.
4. EMI can also be produced by conducted sources or electrostatic discharge (ESD).

### B. WHAT EFFECT CAN EMI HAVE?

#### WARNING

1. EMI can cause your chair, without warning, to:
  - Release its brakes
  - Move by itself
  - Move in unintended directions
 If any of these occur, it could result in severe injury to you or others.
2. EMI can damage the control system of your chair. This could create a safety hazard, and lead to costly repairs.

### C. SOURCES OF EMI

#### WARNING

The sources of EMI fall into three broad types:

#### 1. **Hand-Held Transceivers:**

The antenna is usually mounted directly on the unit. These include:

- Citizens band (CB) radios
- “Walkie-talkies”
- Security, fire and police radios
- Mobile phones
- Lap-top computers with phone or fax
- Other personal communication devices
- Electronic article surveillance systems

**NOTE** – These devices can transmit signals while they are on, even if not in use.

## 2. Medium-Range Mobile Transceivers:

These include two-way radios used in police cars, fire trucks, ambulances and taxi cabs. The antenna is usually mounted on the outside of the vehicle.

## 3. Long-Range Transceivers:

These include commercial radio and TV broadcast antenna towers and amateur (HAM) radios.

**NOTE**– The following are not likely to cause EMI problems: Laptop computers (without phone or fax), Cordless phones, TV sets or AM/FM radios, CD or tape players.

## D. DISTANCE FROM THE SOURCE

### WARNING

Electro-magnetic energy rapidly becomes more intense as you get closer to the source. For this reason, EMI from hand-held devices is of special concern. (See Section C.1) A person using one of these devices can bring high levels of EM energy very close to your chair without you knowing it.

## E. IMMUNITY LEVEL

### WARNING

1. The level of EM is measured in volts per meter (V/m). Every power wheelchair can resist EMI up to a certain level. This is called its "immunity level".
2. The higher the immunity level, the less the risk of EMI. It is believed that a 20 V/m immunity level will protect the power wheelchair user from the more common sources of radio waves.
3. The common configuration tested and found to be immune to at least 20 V/m is: Quickie QM-710 power wheelchair with a right-hand mounted RNET remote joystick system, 18" seat width, 18" seat depth, Omni2 specialty control module, power recline seat, cantilever armrests, power tilt, ELR ALR powered legrests, attendant module, bluetooth mousemover, I-device mousemover, output module, Gp 24 gel cell batteries.
4. All After Market input device options, classified as breath controls, Proportional controls, and/or Switched controls that can be used with this powerchair, have an unknown effect on their immunity level to different types of EMI. They have not been specifically tested with the QM-710/715HD/720 and RNET control system:
5. All modifications required for the common configuration to comply with ANSI/RESNA WC2/21 have been installed

### WARNING

If there is any doubt that the specialty control input device is not immune to 20V/m, extra care should be taken around known sources of EMI.

### WARNING

There is no way to know the effect on EMI if you add accessories or modify this chair. Any change to your chair may increase the risk of EMI. Parts not specifically tested or parts from other suppliers have unknown EMI properties.

## F. REPORT ALL SUSPECTED EMI INCIDENTS

### WARNING

You should promptly report any unintended movement or brake release. Be sure to indicate whether there was a radio wave source near your chair at the time. Contact:

Sunrise Medical, Customer Service Department at (800) 333-4000.

## G. EMI FROM CHAIR

### WARNING

The chair itself can disturb the performance of electromagnetic fields such as emitted by alarm systems of shops.

## H. HEAD ARRAY SAFETY AND RFI

### WARNING

If you have a Head-array, the sensors used in the product have the potential to operate unintentionally if moisture or any substance that is electrically conductive is present in sufficient quantities.

Electro magnetic interference from electrical power lines and certain types of phones can cause the sensors to activate.

These sensors are capacitive in nature, and can generate an electronic field, which can be affected by liquids and/or a source of radio frequency Interference (RFI). Any material that is conductive has the potential to activate the Head-array unintentionally.

**Avoid** use under high power lines and around cell phones.

**Avoid** the use of a Head Array in rain or snow and protect against the potential of spilled liquids on the sensors.

**Avoid** cell phones and electronic devices in proximity to the array.

**Avoid** any source that has the potential of (RFI).

**Warn** the user of this chair that the chair controls have the potential of acting erratically or making sudden stops, if (RFI) is not avoided.

If any (RFI) causes erratic behavior, immediately cut off the power to the wheelchair, and wait until the interference passes.

**⚠ WARNING**

Heed all warnings in this section. If you fail to do so, a fall, tip-over or loss of control may occur and cause severe injury to you or others.

**A. NOTICE TO USER AND ATTENDANTS****⚠ WARNING****User:**

1. Before using this chair, you should be trained in its safe use by your health care professional.
2. Every wheelchair is different. Take the time to learn the feel of this chair before you begin riding.
3. Be aware that you must develop your own methods for the safe use of this chair that are best suited to your level of function and ability.
4. Have someone help you practice bending, reaching and transfers until you learn how to do them safely.
5. Never try a new maneuver on your own unless you are sure it is safe.
6. Get to know the areas where you plan to use your chair. Look for hazards and learn how to avoid them.
7. Always wear a positioning strap.
8. Do not use a wheelchair if the joystick does not spring back to the neutral position.
9. Do not use your wheelchair if the joystick boot is ripped or damaged.
10. Do not try to tip this wheelchair without an attendant present.
11. Do not allow additional riders, the chair may become unstable.

**User and Attendants:**

1. When transferring the user in or out of the wheelchair never use the footplate as a platform.
2. Do not lift this wheelchair by any parts that are removable, doing so may result in damage to the wheelchair or injury to the user.
3. Never try to stop or slow this wheelchair with the wheel locks (if applicable). Wheel locks are designed to prevent the chair from moving when stopped. They are not brakes.
4. Always keep your hands and body parts clear of moving parts to help prevent injuries.

**Attendants:****⚠ WARNING**

Make sure you heed all warnings and follow all instructions in each section of this manual. Warnings that apply to the user also apply to you.

1. Do not stand or sit on any portion of this wheelchair.
2. You need to work with the user, and the user's doctor, nurse or therapist, to develop safe methods best suited to your abilities and those of the user.
3. To manually push the chair you must release the motor brakes.
  - Do not engage or disengage motor brakes **unless** power to the chair is **off**.
  - Make sure you have full control over the chair when you release the motor brakes. When you do so the chair will not have brakes.
  - Make sure the chair is on level ground before you release the motor brakes.
4. Propel this chair by the push handles only. They provide secure points for you to hold the rear of the chair to prevent a fall or tip-over.
5. Check to make sure push handle grips will not rotate or slip off.

**B. WEIGHT LIMIT****⚠ WARNING**

NEVER exceed the weight limit:

QM -710 & QM-720	300 lbs (136 kg)	
QM-715 & SEDEO Ergo	350 lbs (159 kg)	(Tilt only)
QM-715	350 lbs (159 kg)	(Power recline only)
QM-715 HD & ASAP	400 lbs (160 kg)	(Tilt only)

If the limit is exceeded, damage to your device, a fall, tip-over or loss of control may occur and cause severe injury to the rider and/or others.

1. The user plus items carried should never exceed the total weight capacity identified on your chair.
2. Never use this chair for weight training.
3. Exceeding the weight limit is likely to damage the seat, frame, or fasteners, and may cause severe injury to you or others from chair failure.
4. Exceeding the weight limit will void the warranty.

**C. CONTROLLER SETTINGS****⚠ WARNING**

Be aware that you may need to adjust the controller settings of your chair.

1. Check and adjust the settings every six to twelve months.
2. Consult your authorized dealer to adjust the control settings immediately if you notice any change in your ability to:
  - Control the joystick
  - Hold your torso erect
  - Avoid running into objects.

**D. SAFETY CHECKLIST****⚠ WARNING**

Before each use of this chair:

1. Make sure the chair operates smoothly. Check for noise, vibration, or a change in ease of use. (They may indicate low tire pressure, loose fasteners, or damage to your chair).
  - Inspect any problem. Your authorized dealer can help you find and correct the problem.
2. Make sure batteries are charged. Green lights on charge indicator will light up when charge is full. Yellow lights indicate battery charge level is getting low. Red lights indicate batteries are in immediate need of charging.

**E. CHANGES & ADJUSTMENTS****⚠ WARNING**

**Never** use non-Quickie parts to replace Quickie provided parts or make changes to your chair unless authorized by Sunrise. (Doing so will void the warranty and may create a safety hazard.)

**F. ACCESSORIES****⚠ WARNING**

Accessories designed by manufacturers other than Sunrise, not available through Sunrise order process have not been tested or approved for use by Sunrise.

1. If you modify or adjust this chair it may increase the risk of a fall or tip-over.
2. Modifications unauthorized by Sunrise constitutes remanufacturing of the wheelchair. This voids the warranty. The user then assumes all future liability for the wheelchair.

## G. WHEN SEATED IN A PARKED WHEELCHAIR

### WARNING

1. **Always** turn off all power to your chair when you are parked, even for a moment. This will prevent:
  - Accidental movement from contact with the joystick by you or others.
  - Unintended brake release or movement from EMI sources. (See Section V)
2. Make sure that persons who help you (for example, store clerks) are aware of the joystick and do not touch it. If they do, your chair may move suddenly when you do not expect it.

## H. ENVIRONMENTAL CONDITIONS



### WARNING

Your chair is not designed for use in a heavy rain storm, or in snowy or icy conditions.

1. Contact with water or excessive moisture can cause an electrical malfunction. The frame, motors and other chair parts are not water-tight and may rust or corrode from the inside.
 

**To avoid a chair failure:**

  - Minimize exposure of your chair to rain or very wet conditions.
  - **Never** take your chair into a shower, tub, pool or sauna.
  - Do not use your chair in fresh or salt water (such as at the edge of a stream, lake, or ocean).
  - Make sure battery cover is secure.
  - Replace joystick boot if it becomes torn or cracked.
  - Make sure all electrical connections are secure.
  - Dry the chair as soon as you can if it gets wet, or if you use water to clean it.
2. Proceed slowly and use extra care if you must operate your chair on a wet or slick surface.
  - Stop if one or both main wheels lose traction. If this occurs, you may lose control of your chair or fall.
  - **Never** operate your chair on a slope or ramp if there is snow, ice, water or oil film present.
  - When in doubt, have someone help you.
3. When not in use, keep your chair in a clean, dry place.

### WARNING

Extra caution should be used when employing the disc switch or the proximity head array as control devices. These two devices are susceptible to malfunction when wet.

## I. TERRAIN

### WARNING

1. This chair will perform at it's best on firm, even surfaces such as concrete, asphalt and indoor flooring.
2. Although equipped with suspension, the performance can be substantially reduced on uneven surfaces and rough terrain.
3. Do not operate the chair on sand, loose gravel or soil. Doing so may damage wheels, bearings, axles, motors or loosen fasteners.

## J. STREET USE

### WARNING

1. This product is not intended for street use. Avoid streets whenever possible.
2. Obey and follow all legal pedestrian pathways, and laws that apply to pedestrians.
3. Be alert to the danger of motor vehicles in parking lots, or if you must cross a road.
4. It may be hard for drivers to see you. Make eye contact with drivers before you proceed. When in doubt, yield until you are sure it is safe.

## K. MOTOR VEHICLE SAFETY

### WARNING

Identify whether or not your chair has been manufactured with the Transit Option installed.

**If your chair is not equipped with the Transit Option: The wheelchair does not meet federal standards for seating while travelling in a motor vehicle.**

1. **NEVER** let anyone sit in this chair while in a moving vehicle.
2. **ALWAYS** secure the rider with OEM (original equipment manufactured) motor vehicle restraints. In an accident or sudden stop the rider may be thrown from the chair. Wheelchair seat belts will not prevent this, and further injury may result from the belts or straps.
3. **NEVER** transport this chair in the front seat of a vehicle. It may shift and interfere with the driver.
4. **ALWAYS** secure this chair so that it cannot roll or shift.
5. **DO NOT** use any chair that has been involved in a motor vehicle accident. It may have changed the structure of the chair, and damaged, or broken components. This could lead to a risk of injury or damage to your chair. If the wheelchair has been involved in an accident, discontinue use and contact your Authorized Dealer for a thorough inspection.

**If your chair is equipped with the Transit Option:** See section "VII U: Transit Option and use".

## L. CENTER OF BALANCE

### WARNING

The point where this chair will tip forward, back, or to the side depends on its center of balance and stability.

**The Center Of Balance Is Affected By:**

1. The seat height and seat angle.
2. A change in your body position, posture or weight distribution.
3. Using this chair on a ramp or slope.
4. The use of a back pack or other options, and the amount of added weight.
5. Center or rear Drive wheel positioning.

**To Reduce The Risk Of A Fall Or Tip-Over:**

1. Whenever a condition exists that may change the center of balance, reduce speed, proceed cautiously.
2. When in doubt, always have someone help you.



## M. TRANSFERS

### WARNING

It is dangerous to transfer on your own. It requires good balance and agility. Be aware that there is a point during every transfer when the wheelchair seat is not below you. To prevent a fall:

1. **Always** turn off power before you transfer to or from your chair. If you fail to do so you may touch the joystick and cause your chair to move when you do not expect it.
2. Make sure motor brakes are engaged. This keeps the chair from moving when you transfer.
3. Work with your health care professional to learn all safe methods for transfers.
  - Learn how to position your body and how to support yourself during a transfer.
  - Have someone help you until you are sure you can do a safe transfer on your own.
4. Move your chair as close as you can to the seat you are transferring to. If possible, use a transfer board.
5. Rotate the front casters until they are as far forward as possible.
6. Be careful of the footrests. If you can, remove or swing them out of the way.
  - As a standard rule, never stand on footrests when you transfer. Doing so may damage them or cause your chair to tip. If the footplate is in contact with the ground, it is possible to use the footplate for a transfer.
  - Make sure your feet do not “hang up” or get caught in the space between the footrests.
7. Make sure armrests do not interfere.
8. Transfer as far back onto the seat surface as you can. This will reduce the risk that you will miss the seat or fall.

## N. REACHING OR LEANING

### WARNING

Reaching or leaning affects the center of balance of your chair. If done improperly, a fall or tip-over is likely. When in doubt, ask for help or use a device to extend your reach.

#### To Reduce the Risk of injury and/or Damage to the Chair:

1. **Never** reach or lean if you must shift your weight sideways or rise up off the seat.
2. **Never** reach or lean if you must move forward in your seat to do so. Always keep your buttocks in contact with the backrest.
3. **Never** reach with both hands (you may not be able to catch yourself to prevent a fall if you lose your balance).
4. **Never** try to pick up an object from the floor by reaching down between your knees.
5. **Never** put pressure on the footrests while reaching.
6. **Never** reach or lean over the top of the seat back. This may damage the backrest and cause you to fall.

### WARNING

#### IF YOU MUST REACH OR LEAN, DO SO AT YOUR OWN RISK.

##### Remember to:

1. Move your chair as close as you can to the object you wish to reach.
2. Rotate the front casters until they are as far forward as possible. This makes the chair more stable.

**NOTE** –To do this: Move your chair past the object you want to reach, then back up alongside it. Backing up will rotate the casters forward.

3. Turn off all power to your chair. If you fail to do so, you may touch the joystick and cause your chair to move when you do not expect it.

## O. DRESSING OR CHANGING CLOTHES

### WARNING

Be aware that your weight will shift if you dress or change clothes while seated in this chair. To make the chair more stable, rotate the front casters until they are in the **forward position**.

## P. OBSTACLES

### WARNING

Riding over curbs or obstacles can cause tipping and serious bodily harm. If you have any doubt that you can safely cross any curb or obstacle, **ALWAYS ASK FOR HELP**. Be aware of your riding skills and personal limitations. Develop new skills only with the help of a companion.

1. Be aware that thresholds are very dangerous. (Even a small change in height may stop a caster wheel and cause your chair to tip). You may need to:
  - Remove or cover threshold strips between rooms.
  - Install a ramp at entry or exit doors.
2. Keep your eyes moving when you ride; scan the area well ahead of your chair.
3. Make sure the floor areas where you use this chair are level and free of obstacles.

## Q. DRIVING IN REVERSE

### WARNING

Use extra care when you drive your chair in reverse. You may lose control or fall if one of the rear wheels hits an object.

1. Operate your chair slowly and at an even speed.
2. Stop often and check to make sure your path is clear of obstacles.

## R. RAMPS, SLOPES & SIDEHILLS

### WARNING

Your center of balance changes when you are on a slope.

**NOTE** – “Slope” includes a ramp or sidehill. Your chair is less stable when it is at an angle. Never use this chair on a slope unless you are sure it is safe. When in doubt, have someone help you.

#### Beware Of:

1. Steep slopes. Do Not use this chair on a slope steeper than 6%. (A 6% slope means: One foot in elevation for every ten feet of slope length).
2. Wet or slippery surfaces (such as when ice, snow, water or oil film is present). A loss of traction may cause a fall or tip-over.
3. A change in grade on a slope (or a lip, bump or depression). These may cause a fall or tip-over.
4. A drop-off at the bottom of a slope. (A drop-off of as small as 3/4 inch (19 mm) can stop a front caster and cause the chair to tip forward).

## S. TO REDUCE THE RISK OF A FALL, TIP-OVER OR LOSS OF CONTROL

### WARNING

1. **Never** use your chair on a slope unless you are sure you can do so without losing traction.
2. **Always** go as straight up and as straight down as you can.
  - **Do not** “cut the corner” on a slope or ramp.
  - **Do not** turn or change direction on a slope.
3. **Always** stay in the center of the ramp. The ramp needs to be wide enough so that the wheel won't roll off of the side of the ramp.
4. Keep your chair moving at a slow, steady speed. Keep control over the chair at all times.
  - On a descent, do not let your chair accelerate beyond its normal speed.
  - If the chair picks up speed, center the joystick to slow down or stop.
  - If you stop, re-start slowly

## T. RAMPS AT HOME & WORK

### WARNING

Before driving on a ramp, survey the condition of the ramp. On slippery ramps traction may be reduced causing your wheelchair to slide.

### WARNING

**NOTE**— Make sure ramps meet all Building Codes for your area.

1. For your safety, have a licensed contractor build or remodel the ramp to meet all local codes and standards.
2. The proper design will vary, depending on such things as: the length and height of the ramp; the need for an intermediate platform; landing size; doors, and the direction of swing, and; whether the ramp includes a turn or angle.

#### At A Minimum:

1. Open sides of ramp must have side rails to prevent your chair from going over the edge.
2. Slope must not be steeper than one inch in height for every one foot of slope length (approximately 10°).
3. Ramp surface must be even, and have a non-skid surface.
4. You may need to add a section at the top or bottom to avoid a lip or drop-off.
5. Ramp must be sturdy. Add bracing if needed, so ramp does not “bow” when you ride on it.

## U. WHEELCHAIR LIFTS

### WARNING

Wheelchair lifts are used in vans, buses, and buildings to help you move from one level to another.

1. **Always** turn **off** all power to your chair when you are on a lift. If you fail to do so, you may touch the joystick by accident and cause your chair to drive off the platform. (Be aware that a “roll-stop” at the end of the platform may not prevent this).
2. Make sure there is not a lip or drop-off at the top or bottom of the platform. These may cause a fall or tip-over. When in doubt, have someone help you.
3. **Always** position the user securely in the chair to help prevent falls while on a lift.
4. **Avoid** moving forward if a wheel is “hung up” on the lip of the ramp. Backup, reposition the caster for a more direct approach. And slowly try again.

## V. DRIVING IN LOW-LIGHT OR AT NIGHT

### WARNING

The Lighting system on the QM-7 base is designed to aid in visibility while operating the chair in low-light or nighttime driving. It is also intended to make the chair more visible to others. Do not use any lighting system that has been designed by manufacturers other than Sunrise Medical, and that has not been tested or approved for use by Sunrise Medical.

1. Because a lighting system cannot illuminate all obstacles that could endanger the rider, it is important to keep low-light, or nighttime driving to a minimum if possible.
2. Be aware that you are not always visible to driver's or pedestrians when the lights are on, especially if they are viewing you from locations on either side of the chair.

## W. CURBS & SINGLE STEPS

### WARNING

1. Sunrise Medical recommends that you avoid climbing and/or descending a curb, single step, or other obstacle, and that a ramp or curb cutout is always used.
2. If you must climb or descend a curb, single step, or other obstacle that is greater than 2.5", it is recommended to have a person assist you in doing so.
3. **DO NOT** try to climb a curb, single step, or other obstacle greater than 4" high.
4. If you must climb or descend a curb or step alone do so at your own risk using extreme care and use the following procedure:
  - Proceed slowly, at a steady speed
  - Go as straight up or down as you can over the obstacle. Never turn when trying to climb or descend an obstacle, doing so may result in a fall or tip-over.
5. Failure to follow the above recommendations may cause:
  - A Fall or Tip Over
  - Damage to the frame, wheels, axles or other parts, or loose fasteners.

## X. STAIRS

### WARNING

Never use a power chair to go up or down stairs, even with an attendant. Doing so is likely to cause a fall or tip-over.

## Y. ESCALATORS

### WARNING

Never take this chair on an escalator, even with an attendant. Doing so is likely to cause a fall or tip-over.

## Z. WHEN SEATED AND DRIVING IN LIFT MODE

### WARNING

Your chair may be configured with a Power Seat Lift. Before operating your chair in Lift mode, read all warnings and guidelines related to this feature. They will help in understanding how to reduce the risk of a fall or tip-over, and how to identify environmental conditions that could affect your safety when driving while the seat lift is operated.

NEVER exceed the weight limit of 300 pounds (136 kg) (See section B- Weight limits).

1. When driving indoors, or outdoors, the lift mode should only be used on flat, level, and hardscape surfaces.
2. Driving in lift mode should never be attempted outdoors on uneven terrain like: gravel, grass, bumpy surfaces, uneven sidewalks, or hills.
3. This feature may be equipped with a system that allows the power chair to drive up to 3 mph when the seat is elevated.
4. NEVER raise the seat when the chair is being operated in the proximity of any of the terrain types listed above, or on any uneven surface.

**⚠ WARNING**

If you use parts or make changes not authorized by Sunrise it may create a safety hazard and will void the Warranty.

**A. ARMRESTS****⚠ WARNING**

1. Armrests will not bear the weight of this chair.
2. **Never** lift this chair by its armrests. They may come loose or break.

**B. BATTERIES****⚠ WARNING**

1. **For safety reasons:** Only use sealed non-spillable batteries that meet DOT CFR 173.159 (d), IATA Packing Instructions 806, and IATA Provision A67 shall be installed in this wheel-chair.
2. Read all of section **X. Batteries** before attempting to change, or charge your batteries.

**⚠ WARNING**

Battery chargers are only intended to charge 24V; Group 22, Group 24, and Group 34; Lead Acid or Gel style batteries.

**C. CUSHIONS & SLING SEATS****⚠ WARNING**

1. Standard foam cushions and other body supports are not designed for the relief of pressure. Do not sit directly on a sling surface.
2. If you suffer from pressure sores, or if you are at risk that they will occur, you may need a special seat system or a device to control your posture.
  - Consult your Healthcare Professional to find out if you need such a device for your well-being.

**D. FASTENERS****⚠ WARNING**

Many of the screws, bolts and nuts on this chair are special high-strength fasteners. Use of improper fasteners may cause your chair to fail.

1. Only use fasteners provided by Sunrise.
2. If fasteners become loose, tighten them immediately.
3. Over- or under-tightened fasteners can cause damage to your chair or it's components.

**E. FOOTPLATE & FOOTRESTS****⚠ WARNING**

1. At the lowest point, footrests should be **at least 2 1/2 inches** (65 mm) off the ground. If set too LOW, they may "hang up" on obstacles you can expect to find in normal use. This may cause the chair to stop suddenly and tip forward.
2. To avoid a trip or fall when you transfer:
  - Make sure your feet do not "hang up" or get caught in the space between the footrests.
  - Avoid putting weight on the footrests, as the chair may tip forward.
  - Remove or swing the footrests out of the way, if possible.

3. The footrest should always be in the down position when operating the chair.
4. Never lift this chair by the footrests. Footrests detach a will not bear the weight of this chair. Lift this chair only by non-detachable parts of the main frame.

**F. MOTOR LOCKS****⚠ WARNING**

1. Do not engage or disengage motor locks **unless** power to the chair is **off**.
2. Be aware that the chair **will not have brakes** when motor locks are in the free-wheel position.
3. Make sure that the person pushing the chair has full control when motor locks are disengaged.
4. Make sure that the chair is on level ground when motor locks are disengaged.

**G. ON/OFF SWITCH****⚠ WARNING**

1. **Never** use the ON/OFF switch to stop the chair **except** in an emergency. This will result in an **abrupt** stop, and may cause you to fall.
2. To slow your chair to a stop, return the joystick to neutral.

**H. PNEUMATIC TIRES****⚠ WARNING**

Proper inflation extends the life of your tires and makes your chair easier to use.

1. Do not use this chair if any of the tires are under- or over-inflated. Check weekly for proper inflation level, as listed on the tire sidewall.
2. Low pressure in a tire may cause the chair to veer to one side and result in a loss of control.
3. An over-inflated tire may burst.
4. **Never** use a gas station air pump to inflate a tire. Such pumps provide air at **high volume**, and could cause the tire to burst. To prevent tire damage:
  - Use a hand pump (or **low volume** air pump) to inflate tires.
  - Use a tire gauge to check pressure.
5. Driving over sharp objects may cause damage to pneumatic tires and tubes.

**I. MOTOR AND SUSPENSION SPRINGS****⚠ WARNING**

The motor springs and suspension springs are set to factory defaults when the chair is manufactured. These springs should not need to be adjusted and/or detached from the chair.

For the Safety of the user and stability of the chair:

1. **Never use a spanner wrench to adjust the springs on this chair.**
2. **Do Not remove the motor or suspension springs**
3. **If the springs need replacing, contact Sunrise Medical Customer Service for parts and service information.**

## J. POSITIONING BELTS (Optional)

The positioning belt is predominately used to support your posture. It can also be used to limit slipping and/or sliding that you might experience when the chair is in motion. The positioning belt is not a transit rated safety belt and should not be used in the place of a seat belt while being transported in a motor vehicle. Improper use of Positioning belts may cause severe injury or death. If you use a positioning belt, be sure to follow the recommendations in this section:

1. Make sure the rider does not slide down in the wheelchair seat. If this occurs, the rider may suffer chest compression or suffocate due to pressure from the belts.
2. The belts must be snug, but must not be so tight that they interfere with breathing. You should be able to slide your open hand, flat, between the belt and the rider.
3. A pelvic wedge or a similar device can help keep the rider from sliding down in the seat. Consult with the rider's doctor, nurse or therapist to find out if the rider needs such a device.
4. Use positioning belts only with a rider who can cooperate. Make sure the rider can easily remove the belts in an emergency.
5. NEVER use positioning belts
  - a. As a patient restraint. A restraint requires a doctor's order.
  - b. On a rider who is comatose or agitated.
  - c. As a motor vehicle restraint. In an accident or sudden stop the rider may be thrown from the chair. Wheelchair seat belts will not prevent this, and further injury may result from the belts or straps.

If you fail to heed these warnings, damage to your chair, a fall, tip-over or loss of control may occur and cause severe injury to the rider or others.

## K. PUSH HANDLES

### WARNING

1. Push handles provide secure points for an attendant to propel and control the chair. This helps to prevent a fall or tip-over.
2. Check to make sure push handle grips will not rotate or slip off.

## L. SEATING SYSTEMS

### WARNING

1. Use of a seating system not approved by Sunrise may affect or interfere with other parts of the chair.
2. **Never** change the seating system of your chair unless you consult your authorized dealer first.
3. Never raise your seating system to a height of more than 22" (measuring from the front of the seat pan to the floor) with all actuators in their home position.

## M. UPHOLSTERY FABRIC

### WARNING

1. Replace worn or torn fabric of the seat sling and/or seat back as soon as you possible. If you fail to do so, the seat may fail and cause you to fall. Worn fabrics may increase the potential for a fire hazard.
2. Sling fabric will deteriorate with age and use. Look for fraying, thin spots, or stretching of fabric at rivet holes. Replace fabric as required.
3. Be aware that washing may reduce flame retardation qualities of the fabric.

## N. SUSPENSION

### WARNING

The suspension system does contain Dry Natural Rubber. The suspension, or any other component on the chair, does not contain any latex based product. The suspension components are enclosed and inaccessible to the user.

## O. WIRING & CONNECTORS

### WARNING

Never pull on cables directly. This can result in wires breaking inside the connector or harness. To remove a plug or connector, always grasp the plug or connector itself.

## P. ASSIGNABLE CONTROLS

### WARNING

It is possible to assign a function to an input control (buttons, jacks) of your wheelchair. If controls have been assigned to perform a dual or alternate function ensure you know what each control operates. Please contact your Authorize Dealer or the Quickie Technical Service Department if you do not receive this information. Failure to do so may result in damage and/or injury.

## Q. POWER SEATING SAFETY

### WARNING

### I. Operation

- While driving this wheelchair in the reclined, elevated, or tilted position use caution.
- Do Not attempt to operate any power seating option while positioned on an incline.
- Do Not attempt to operate any power seating option while this wheelchair is in motion.
- Do not attempt to operate the lift or tilt power seating options around children.
- Through programming it is possible to reverse the direction of all powered seating functions, ensure you know which direction your seat is going to move before operating.

### 2. Reduced Speed Driving (Creep)

This power chair is designed to automatically reduce the maximum driving speed to a creep mode when certain power seating limits are reached.

### 3. Pinch points

Pinch points may occur when operating the powered seating options on this chair. Ensure all hands and body parts are clear of all power seating components that may result in pinch points before operating them.

### 4. Tilting Power Base with Push Handles

Do not attempt to tilt power wheelchairs by pulling down on the push handles. Power wheelchairs have heavy bases. As such, attempting to tilt a power wheelchair to traverse obstacles can damage components in the seating system and/or modular actuators.

**5. Remain Clear During Power Accessory Operation**

Please stay clear of any powered actuator while the component is in motion. Sunrise power mechanisms move over large ranges of travel. Users should be aware of their surroundings while components are in motion.

**6. Maximum User Weight**

Do not exceed the weight capacity for your specific chair/seating system configuration. Doing so could result in premature failure or injury.

**7. Latch Mode**

While operating any power seating function in latched mode use caution. In latch mode, powered seating will not stop until a reverse command is performed or the end of travel is met.

**R. CG TILT POWER ACCESSORY****⚠ WARNING**

The powered CG Tilt accessory for this chair has a maximum user weight capacity of up to 300 lbs for the QM-710 & QM-720, 350 lbs for QM-715 with SEDEO Ergo or 3.7, or 400 lbs for the QM-715HD and ASAP Seating. Never exceed this capacity while operating the power actuator.

**S. POWER RECLINE****⚠ WARNING****Pinch Point**

Avoid putting hands or fingers near the power recline mechanism while in operation.

**Weight Capacity**

The maximum user weight capacity for the power recline is up to 350 lbs. Exceeding this weight capacity could lead to injury and/or permanent damage to the equipment.

**T. LIFT & LIFT/TILT COMBO****⚠ WARNING**

The powered lift and/or lift/tilt modular accessory for this chair has a maximum user weight capacity of up to 300 lbs. Never exceed this capacity while operating the powered actuator.

**U. SURETRAC**

Your chair may be fitted with SureTrac drive tracking. The electronic controller monitors the connectivity of the drive motors and in the event of a fault will signal the joystick display with one or 3 error messages:

1. 2001 - M1 Sensor Error - The Power module cannot detect an Encoder Module connection to M1
2. 3C00 - M2 Sensor Error - The Power module cannot detect an Encoder Module connection to M2
3. EM Disconnected - The Power module cannot detect an Encoder Module fitted when the parameter Encoder Fitted to Yes.

If these errors occur, tracking will be disabled and the chair will continue to drive but at a reduced speed.

1. Check the motors, cables, and connections to the control system.
2. You may need to reset this fault by switching the control system off and on again.
3. If the trip is still present after the above checks have been made, then the Motor or Module may be defective. Consult your Authorized Dealer for service.

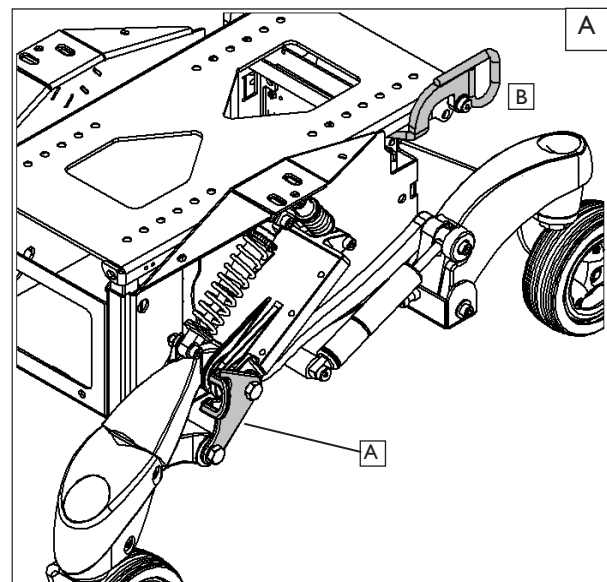
**V. TRANSIT OPTION AND USE A**

Refer also to the "Motor Vehicle Safety" warning section for additional transit option and motor vehicle warnings.

Transit use does not apply to the QM-715HD.

**⚠ WARNING**

1. If possible and feasible, the rider should transfer to the (OEM) original Equipment Manufacturer vehicle seat and use the vehicle restraint.
2. If the wheelchair is used for transport, it must be used in a forward-facing seating position.
3. The rider must not weigh more than 300 lbs.
4. Use only with Wheelchair Tie-down and Occupant Restraint Systems (WTORS) that have been installed in accordance with the manufacturer's instructions and SAE J2249.
5. Attach WTORS to securement points (A) (B) in accordance with the manufacturer's instructions and SAE J2249.
6. Attach occupant restraints in accordance with the manufacturer's instructions and SAE J2249.
7. Ensure hip guides are mounted to lock in place.
8. Use only Wheelchair Tie-down (A, B) and Occupant Restraint Systems (WTORS) which meet the requirements of SAE J2249 Recommended Practice— Wheelchair Tie-down and Occupant Restraint Systems For Use in Motor Vehicles. Do not use WTORS designed to rely on the wheelchair structure to transfer occupant restraint loads to the vehicle.
9. The wheelchair has been dynamically tested in a forward-facing mode for a 30 mph frontal impact test. The wheelchair must be forward-facing during transport.
10. In order to reduce the potential of injury to vehicle occupants, wheelchair-mounted accessories, such as trays and respiratory equipment, should be removed and secured separately.
11. Postural supports and positioning devices should not be relied on for occupant restraint.
12. Do not alter or substitute wheelchair frame parts, components or seating.
13. Sudden stops or impacts can structurally damage your chair. Chairs involved in such incidents should be replaced.



**⚠ WARNING**

The owner and/or Caregiver for the use of this product, is responsible for making sure that it has been setup and adjusted by an Authorized Dealer under the advice of a healthcare professional. The chair may require periodic safety and function checks or certain tool free adjustments that can be performed by the owner, caregiver, or authorized dealer if desired.

**A. INTRODUCTION****⚠ WARNING**

- Your chair needs regular maintenance for peak performance and to avoid injury from chair failure, damage or premature wear.
- Inspect and maintain this chair per the "Safety Checklist".
- If you detect a problem, make sure to service or repair the chair before use.
- At least once a year, have a complete safety check and service of your chair performed by a Authorized Dealer.

**B. CLEANING****1. Paint Finish:**

- Clean the paint finish with mild soapy water monthly.
- Protect the paint with a coat of non-abrasive auto wax every three months.

**2. Motors:**

- Clean around motor area weekly with a slightly damp (not wet) cloth.
- Wipe off or blow away any fluff, dust, or dirt on or around the motors.

**NOTE**— You do not need to grease or oil the chair.

**3. Upholstery:**

- Hand-wash only as needed. Machine washing may damage fabric.
- Drip-dry only. Heat from a dryer may damage fabric.

**NOTE**— Washing the fabric may decrease fire retardant properties.

**4. Joystick:**

- Use a cloth that has been slightly dampened with diluted detergent. to clean the joystick and boot.
- LCD Screen can be cleaned with a soft, lint free, dry cloth.

**NOTE**— NEVER use any type of window cleaner, scouring powder, or any cleanser with solvents such as alcohol, benzene, ammonia, or paint thinner. Never use abrasive pads or paper towels.

**C. STORAGE TIPS**

- Store your chair in a clean, dry area. If you fail to do so, parts may rust or corrode.
- Before using your chair, make sure it is in proper working order. Inspect and service all items on the "Safety Checklist"
- If you store this chair for more than three months, have it inspected by an Authorized Dealer before use.
- Use petroleum jelly to re-grease the terminals after connecting cable to battery. (Completely cover the terminal nut and bolt, cable clip and any exposed cable with jelly).

**D. TIRE PRESSURE**

- Check for signs of wear and correct air pressure in pneumatic tires weekly.
- For best performance, inflate tires to the same pressure level, as shown on the tire sidewall:
  - 14" pneumatic drive wheels— 35 to 45 psi (240 to 310 kpa)
- Airing up your tire:
  - CAUTION**— To prevent tire damage: • Use a hand pump (or a low volume air pump) to inflate tires. Use a tire gauge to check pressure.
  - Remove the air stem cap.
  - Inflate the tire to the proper pressure level (listed on the tire sidewall)

**E. MOTOR BRUSHES**

Check the motor brushes every four (4) months for wear. The brushes motor brushes should be shiny. Replace worn or blackened brushes.

**F. DISPOSING OF BATTERIES****⚠ WARNING**

- All batteries once they have reached the end of their useful life are deemed to be hazardous waste.
- For further information on handling and recycling contact your local recycling authority.
- Always dispose of product through a recognized agent.

**G. ORDERING PARTS**

When you order parts, provide the following:

- Model of chair
- Serial number of chair
- Left hand or right hand control
- Part number, description and quantity of parts you need.
- State reason for replacement.

**H. SAFETY CHECKLIST**

You should check the items on this chart at the indicated intervals. If any of the items are loose, worn, bent or distorted, immediately have them checked and/or repaired by your Authorized Dealer. Frequent maintenance and servicing will improve performance, extend wheelchair life, and help prevent injuries.

	Daily	Weekly	Monthly	Quarterly	Annually
<b>SAFETY &amp; FUNCTION CHECK</b>					
That Batteries are charged	<input checked="" type="checkbox"/>				
Check tires for proper inflation level		<input checked="" type="checkbox"/>			
Check Frame and Base for foreign objects and/or obstructions.		<input checked="" type="checkbox"/>			
Check Knobs under the front of the seat for proper tightness		<input checked="" type="checkbox"/>			
Check plugs and connectors for proper connections			<input checked="" type="checkbox"/>		
Check all moving parts for wear				<input checked="" type="checkbox"/>	
Inspect all nuts, bolts and fasteners for looseness or wear				<input checked="" type="checkbox"/>	
Inspect upholstery for wear				<input checked="" type="checkbox"/>	
Service by authorized dealer					<input checked="" type="checkbox"/>

Note - The user or caregiver should perform these weekly and monthly checks to maintain the safety of their chair. If an item is not working properly, please contact your authorized dealer.

## I. FOLDING BACKREST 1

Quickie QM-710/715HD/720 wheelchairs are shipped with backrest in folded position. (optional)

1. **Upright Positioning**
  - a. Lift backrest to upright position so that latch handles (A) lock into place.
  - b. Backrest is ready for use.
2. **Folding Backrest**
  - a. Lift and turn backrest latch handles (A) inward or outward.
  - b. Fold backrest forward.

### **WARNING**

Backrest latches must be locked into place before operating wheelchair.

## J. MANUAL RECLINE OPERATION 2

The ASAP II seating system has two manual recline options.

1. **Manual operation with wrench**
  - a. Using a 16mm socket wrench at point (B) Rotate clockwise to recline, and counterclockwise to return the back to an upright position.
  - b. Backrest is ready for use.
2. **Manual operation with recline knob**
  - a. Using the manual recline knob (C) on the side of the chair, rotate clockwise to recline, and counter-clockwise to return the back to an upright position

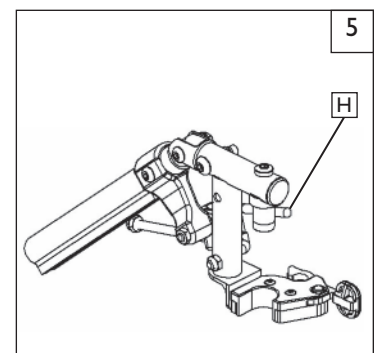
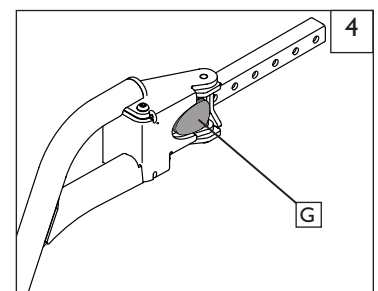
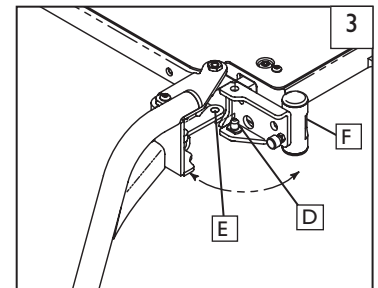
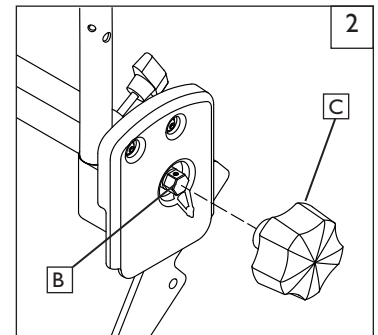
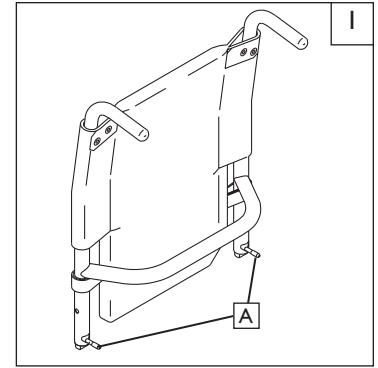
## K. SWING-AWAY FOOTRESTS 3 4

1. **Installation**
  - a. Place swing-away pivot pin (D) into the locating hole (E) on top of the hanger mount with the footrest facing outward from frame.
  - b. Rotate the footrest inward until latch plate locks (F) into place on locking bolt.
2. **Removal**
  - a. To remove footrest, press quick-release lever (G).
  - b. Rotate footrest outward and lift.

## L. ELEVATING LEGREST (Optional) 5

1. **Installation**

To install or remove Elevating Legrest (ELR) see instructions for Swing-away Footrest installation.
2. **Adjustment**
  - a. To raise legrest, lift to desired position. Legrest will automatically lock in place.
  - b. To lower legrest, while seated in chair, first lift slightly then press release lever (H) down and lower legrest to desired position.



## M. FIXED HEIGHT STANDARD, DUAL-POST HEIGHT-ADJUSTABLE

### ARMRESTS (Optional) 6

The dual-post flip-back armrest can be used as either a flip-back armrest or a removable armrest.

#### 1. Installing Armrest

- a. Insert front and rear posts into armrest receivers.
- b. Engage levers (A and B) to secure armrest.

#### 2. Flip-back Operation

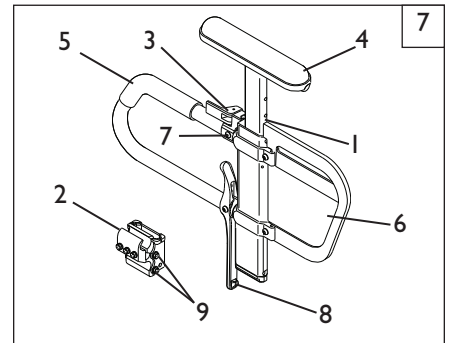
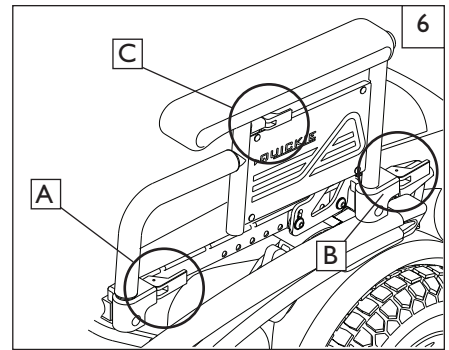
- a. Disengage lever (A) so front post is able to come free.
- b. Armrest now has the ability to be flipped back without removal.

#### 3. Removal

- a. Disengage levers (A and B) so front and rear posts are able to come free.
- b. Armrest can now be easily removed for transferring.

#### 4. Height-Adjustment (option)

- a. Release the upper securing lever (C).
- b. Set at desired height
- c. Return securing lever to locked position.
- d. Move armrest up or down to allow armrest to snap into place



#### Height-Adjustable Armrest Key

1. Inner Arm Post
2. Receiver
3. Release Lever, Locked Position
4. Armrest Pad
5. Transfer Bar
6. Side Panel
7. Tension Adjustment Set Screw
8. Arm Rest Release Lever
9. Receiver Adjustment Bolts

## N. SINGLE POST HEIGHT-ADJUSTABLE ARMRESTS (optional) 7

#### 1. Installation

- a. Slide the outer arm post into the receiver mounted to the wheel chair frame.
- b. The armrest will automatically lock into place.

#### 2. Height Adjustment

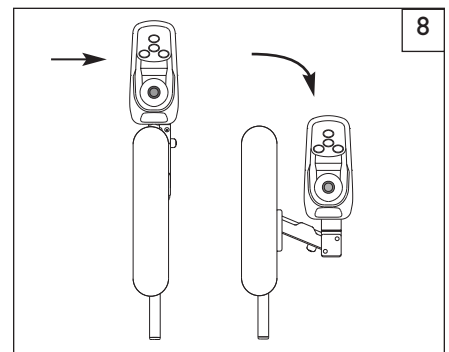
- a. Rotate release lever to stop.
- b. Slide armrest pad up or down to desired height.
- c. Return lever to locked position.
- d. Push arm pad until upper arm post locks firmly into place.

#### 3. Removing Armrest

- a. Rotate release lever and remove the armrest.

#### 4. Replacing Armrest

- a. Slide armrest back into receiver.
- b. Return release lever to locked position against arm post.



## O. RETRACTABLE, SWING-AWAY AND MIDLINE

### JOYSTICK MOUNTS 8 9

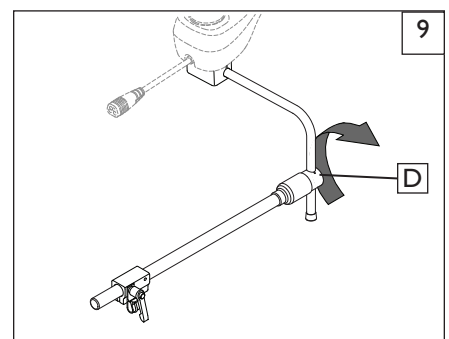
The joystick or Enhanced Display is mounted with a mechanism that allows the joystick to be locked in a forward or retracted position.

#### Retractable and Swing-away

- a. To retract the joystick, push outward on the inside of joystick.
- b. Push the joystick away from the front of the armrest until it locks into the swing-away position.
- c. To return to forward position, push the front of the joystick mount forward until it locks into place.

#### Rotating the Midline Mount.

- a. Push in on the release button (D) at the end of the joystick arm.
- b. The joystick and midline arm should rotate out of the way.
- c. To return to midline position, repeat step 1 and rotate the joystick mount back to its original position until it locks into place.





**P. MOTOR LOCK** 10

Disengage both motor locks when you need to manually push the chair. (For example, in an emergency, or if batteries fail).

**⚠ WARNING**

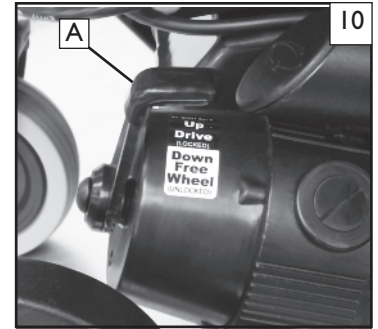
- Do not disengage the motor locks unless power to the chair is off.
- With either one or both locks released, the chair will not operate and the battery charge indicator will flash 9 bars rapidly (if power to the chair is on.)
- Be aware that the chair will not have brakes in the free-wheel position.
- The person pushing the chair needs to have full control when motor locks are disengaged.

**1. Release both motor locks to push the chair manually**

- The motor lock (A) is attached to the rear section of each motor located towards the back of the chair.
- Push each motor lock down.

**2. Engage both motor locks to drive the chair**

- The motor lock (A) is attached to the upper rear section of each motor located at the back of the chair.
- Pull the motor lock lever up on each motor.

**Q. BATTERY REMOVAL** 11 12 13 14

To remove the batteries for transporting or servicing:

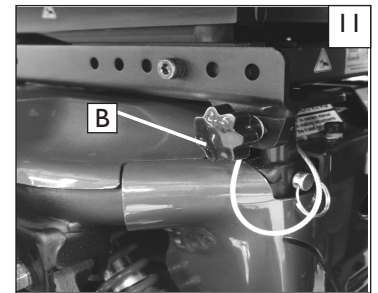
**Remove Batteries**

- Remove the two knobs (B) securing the seat.
- Standing behind the seat, grasp the push handles and slowly tilt the entire seat as far back as possible. (Fig. 12)
- Remove the shroud cover by lifting up on it as shown (Fig. 13).
- Disconnect both battery harnesses (red & black connectors).
- Lift the battery from the compartment via the battery carrying straps.
- After replacing the batteries ensure that the knobs are reinstalled and tightened securely.

**⚠ WARNING**

Batteries may weigh up to 55 lbs. (25 kg). Care must be taken to avoid injury when lifting.

Removing batteries from the base, or moving the seating system up or backwards, may decrease the stability of the chair and cause it to tip backwards.

**R. INSPECT**

Once the wheelchair is assembled and adjusted, it should roll smoothly and easily. All accessories should be checked to make sure they are also performing smoothly. After the wheelchair has been set-up, be sure that the chair performs to your specified operational settings.

**If the chair does not perform the way you expect it to, (according to specifications), turn your wheelchair OFF immediately and contact your authorized supplier to re-program operational settings using the RNET operating guide.**

If you have any problems, follow this procedure:

- Review the Set-up, Adjustment, and use section and the Operating Guide to make sure the chair was properly prepared.
- If your problem persists, contact your authorized supplier. If you still have a problem after contacting your authorized supplier, contact Sunrise Medical Customer service. See the introduction page for details of how to contact the people who can help you.

**Profiles and modes explained:** The operation of the RNET system is based around the concept of Profiles and Modes.

A Profile is a collection of programmable parameters that affect the operation and performance of the wheelchair. It is typical to have 5 Profiles, each set-up to give a different driving performance. For example, Profile 1 may have very slow settings for speeds and accelerations, while Profiles 2 through to 5 would have progressively faster settings. In this way, the user can change the performance of the wheelchair by selecting the appropriate Profile with the Profile Button on the JSM. Although Profiles are used mainly to change driving performance, they can also contain parameters for other functions, such as seating control.

A Mode reflects the actual operation that occurs as a result of a joystick command. Typical examples are Drive Mode, Seating Control Mode and Bluetooth Mode. The user can select the required Mode with the Mode Button on the JSM. Note, it will only be possible to select a Mode if there is a Module that will support that Mode connected into the system. For example, if there is no Mouse Module connected, then the user will not be able to select that Mode.

**A. CONTROLS** 15

**Omni2 Input Display**

is a universal specialty controls interface that accepts signals from many different types of SIDs and translates them into commands compatible with the PG Drives Technology RNET control system.

**B. CONNECTORS** 16 17

**Mating Connectors**

To connect the communication cables (A):

Holding the connector housing, firmly push the connector into its mate until you can no longer see the yellow plastic. The connectors are secured using a friction system.

To disconnect the communication cables:

Holding the connector housing firmly, pull the connectors apart.

**NOTE**– Do not hold or pull on the cable. Always grip the connector when connecting and disconnecting.

When the control system is first switched on after a connection, or system component change, the timer will be displayed while the system checks itself. Then the re-start icon will be displayed. Switch the control system off and on again to operate,

**C. RNET JOYSTICKS** 18



**Controls:** LED, Color Display, and Advanced Joystick

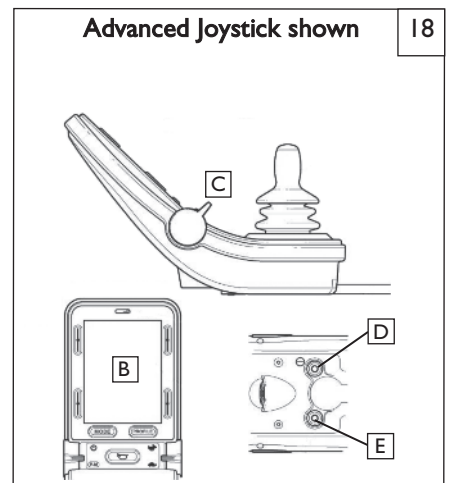
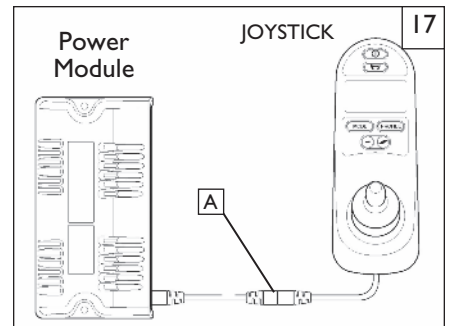
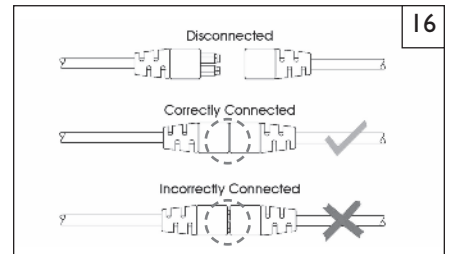
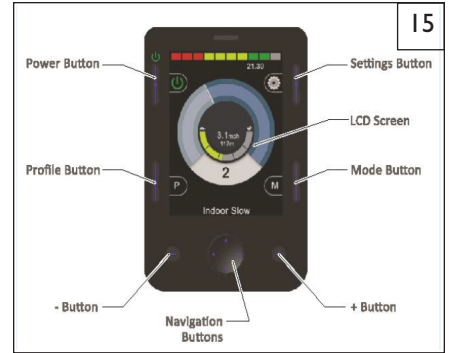
**Joystick key:** LCD Screen (B), Paddle Switch (Left and Right) (C), External Profile Jack (D), External On/Off Switch Jack (E).



**WARNING**

**Cleaning the LCD screen (B)**

1. **ALWAYS** use a soft, clean, lint free, dry cloth
2. To clean fingerprints and greasy smudges off of your LCD screen use a screen cleaning solution that is designed for LCD screens (Non-ammonia based). Put a small amount of the solution on a clean, lint free, dry cloth and rub the screen gently.
3. **NEVER** use any type of windex cleaner, soap, scouring powder, or any cleanser with solvents such as alcohol, benzene, ammonia, or paint thinner.
4. **NEVER** use abrasive pads or paper towels. If you do, you can scratch the screen or strip the anti-glare coating off of the screen and cause permanent damage to the Joystick screen.



**D. JOYSTICK BUTTONS AND CONTROLS** 19 20 21

**Battery Indicator** A

This displays the charge available in the battery and alerts the user when the charge level is low.

- Steady: This indicates that all is well
- Flashing Slowly: The control system is functioning correctly, but you should charge the battery as soon as possible.
- Stepping Up: The wheelchair batteries are being charged. You will not be able to drive the wheelchair until the charger is disconnected and you have switched the control system off and on again.
- If the battery gauge shows red, yellow and green, the batteries are charged (bars 1 - 10).
- If the battery gauge shows just red and yellow, then you should charge the batteries as soon as you can (bars 1 - 7).
- If the gauge shows red, then you should charge the batteries immediately (bars 1 - 3).

**On/Off Button** B

The on/off button applies power to the control system electronics, which in turn supply power to the wheelchair's motors. Do not use the on/off button to stop the wheelchair.

**Horn Button** C

The horn will sound while this button is depressed.

**Actuator Indicator** D

This LED set displays which actuator channel is currently being controlled when the control system is in Actuator Mode. Actuator selection and operation is achieved using the joystick.

- Motions to the LEFT or RIGHT select different actuator channels.
- Motions FORWARD and BACKWARD move the actuator(s) selected.

**Mode Button** E F

The Mode button allows the user to navigate through the available operating modes for the control system. The available modes are dependent on programming and the range of auxiliary output devices connected to the control system.

**Maximum Speed/Profile Indicator** G

This is a gauge that shows the maximum speed or profile setting of the wheelchair. There are five speed/profile settings— step 1 is the lowest speed and step 5 is the highest.

- Speed level active is indicated on display by a series of five lights. One light indicates slowest level currently active, while five lights indicates highest level currently active.
- Drive mode is indicated by a single light. The first light indicates Drive Mode 1; the second light indicates Mode 2, and so on.

**Speed Increase / Decrease Button** H

These buttons Increase or decrease the maximum speed setting. If the control system is programmed for drive profile operation, the buttons select a lower or higher drive profile.

**Screen Side buttons** I

These buttons operate lighting functions: Hazards, lights, left and right indicator. Once the function is activated, the icon will appear on the screen.

- If no lighting system is fitted, the buttons will be inactive.
- In all instances, the top left button, when held for a short time, will open the settings menu.

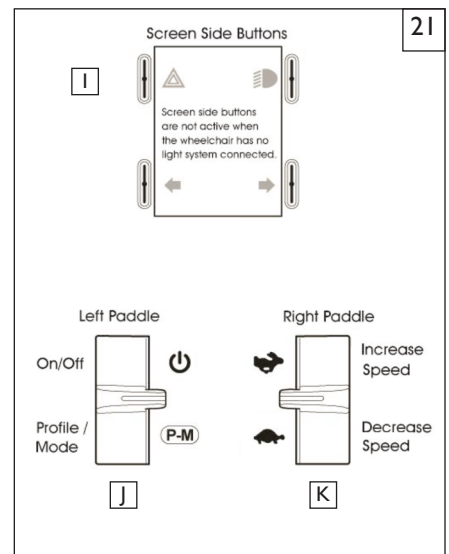
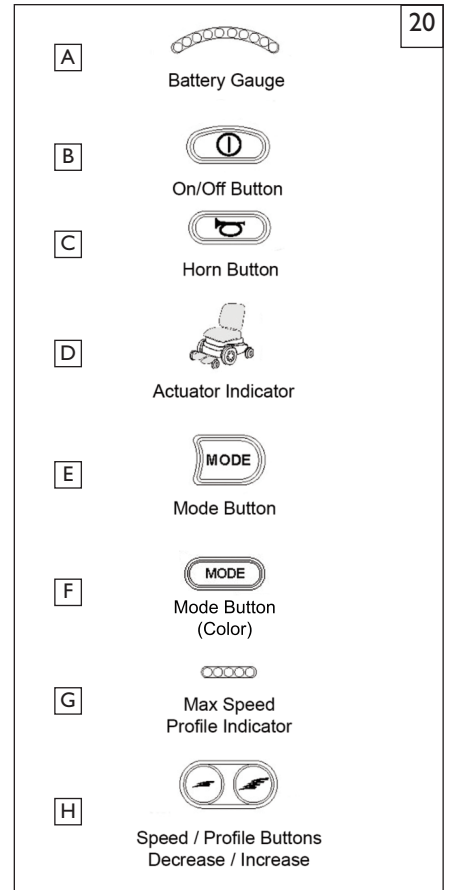
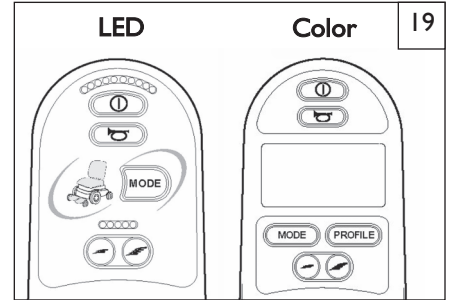
**Left Paddle switch** J

Power On/Off, (Do not use this to stop the wheelchair)

Profile/Mode: Allows the user to navigate thru the available drive profiles and modes.

**Right Paddle switch** K

This button increases or decreases the maximum speed setting. A momentary screen may be displayed when the paddle is operated. Depending on the programming, the paddle switch can act as a momentary speed control, or as a continuous speed control.



**E. LCD SCREEN (color and advanced) <sup>22</sup>**

This section covers those joystick modules that are fitted with a color LCD screen. The color LCD screen is split into three areas of information. The Top Bar, the Text Bar and the Main Screen Area.

**I. TOP BAR (A) <sup>23</sup>**

**Battery Indicator:**

Displays the charge available in the battery and alerts the user when the charge level is low.

- Steady: Indicates that all is well.
- Flashing Slowly: The control system is functioning correctly, but you should charge the battery as soon as possible.
- Stepping Up: The wheelchair batteries are being charged. You will not be able to drive the wheelchair until the charger is disconnected and you have switched the control system off and on again.
- If the battery gauge shows red, yellow and green, the batteries are charged (bars 1-10).
- If the battery gauge shows just red and yellow, then you should charge the batteries as soon as you can (bars 1-7).
- If the battery gauge shows just red, then you should charge the batteries immediately (bars 1-3).

**2. MAIN DRIVE SCREEN (B) (color and advanced)**

**Profile Name <sup>24</sup>**

A text string that displays the name of the currently selected profile.

**Clock <sup>25</sup>**

Displays the current time in a numeric format.

**Color Joystick Speed Display <sup>26</sup>**

Gives a proportional display of the wheelchair's speed.

**Maximum Speed Indicator <sup>27</sup>**

Displays the current maximum speed setting.

**Digital Speed Display <sup>28</sup>**

Displays the actual speed of the wheelchair derived from the motors.

**Advanced Joystick Speed Display <sup>29</sup>**

Gives a proportional display of the wheelchair's speed.

**Odometer <sup>30</sup>**

Displays the distance driven by the wheelchair. The display can show either the total distance or the trip distance, in miles or kilometers. The Settings Menu contains an option that sets whether the trip or total distance is displayed, as well as a facility to reset the trip distance. If Latched operation is active, then that symbol will take priority over the odometer.

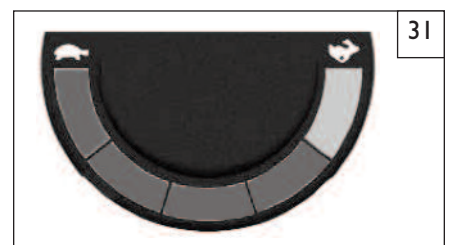
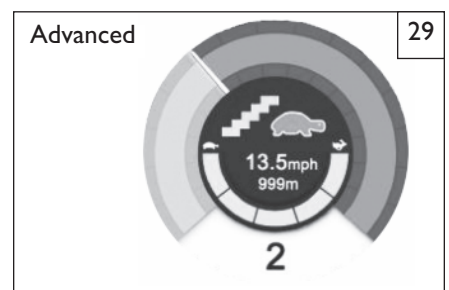
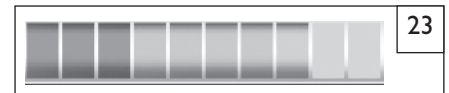
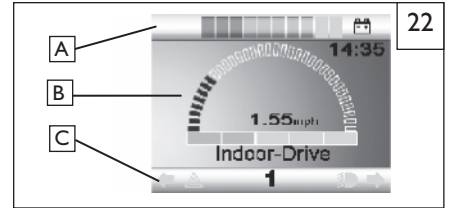
**Advanced Joystick Max speed indicator <sup>31</sup>**

Displays the current maximum speed setting.

**3. TEXT BAR (C) (color joystick)**

**Current Profile <sup>22</sup>**

The currently selected profile is shown in numeric form or may be displayed as text. Temperature warnings may also be displayed on this bar.



#### 4. IMPORTANT ICONS AND MESSAGES (color and advanced)

##### Latched <sup>32</sup>

When the control system is operating in a Latched condition this symbol will be displayed.

##### Inhibit <sup>33</sup>

If the speed of the wheelchair is being limited; for example, by a tilted seat, then this orange symbol will be displayed. If the wheelchair is being inhibited from driving, then this red symbol will be flashing.

#### 5. MODE SCREENS:

##### Actuator (Seating) Mode <sup>34</sup>

Displays the sections of the chair currently selected for movement, the name given to the selection and a direction arrow showing what sort of movement is available.

##### Speed Adjust <sup>35</sup>

When Speed Adjust Mode is entered, this screen will be displayed momentarily.

##### Color Joystick Message Window <sup>36</sup>

The RNET displays warning icons and informational messages, in a dedicated message window.

##### Advanced Joystick Message Window <sup>37</sup>

The RNET displays warning icons and informational messages, in a dedicated message window.

##### Restart <sup>38</sup>

When the control system requires a reboot; for example, after a module re-configuration, this green symbol will be flashed.

##### E-Stop <sup>39</sup>

If the External Profile Switch is activated during drive, or actuator operation, this red symbol will be displayed.

##### Joystick Displaced <sup>40</sup>

If you operate the Joystick before or just after you switch the control system on, the screen will flash the joystick displaced screen.

You must release and center the joystick to resume normal operation. If you do not release the joystick within five seconds the wheelchair will not be able to move, even if you release the joystick and operate it again. The screen will display a diagnostic screen at this time. You can reset this condition by switching the control system off and on again.

##### Control System Locked <sup>41</sup>

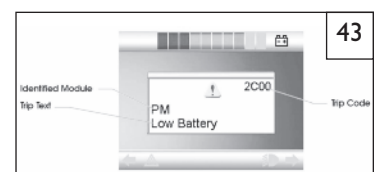
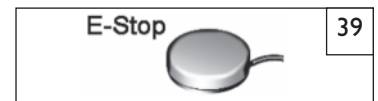
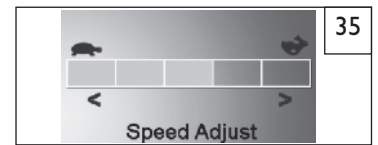
The control system can be locked in one of two ways. Either using a sequence of deflections and presses with the Joystick, or with a physical key. How the control system is locked depends on how the wheelchair manufacturer has programmed it. Refer to the RNET technical manual SK77981- Programming chapter for more details.

#### 6. MOMENTARY SCREENS <sup>42</sup>

If the momentary screens are programmed to be displayed, then pressing the Speed or Profile Buttons will display screens such as this.

#### 7. DIAGNOSTIC SCREEN <sup>43</sup>

When the control system safety circuits have operated and the control system has been prevented from moving the wheelchair, a diagnostics screen will be displayed. This indicates a system trip, i.e. the RNET has detected a problem somewhere in the wheelchair's electrical system.



## F. PERFORMANCE CONTROL SETTINGS

**NOTE**– BEFORE attempting to check and/or adjust settings on your joystick, be sure to see your Dealer or Clinician and have them make the adjustments if needed.

1. It is vital to match control settings to your level of function and ability.
2. Consult your health care professional and your Authorized Dealer to select the best control settings for you.
3. Check and adjust the settings every six to twelve months.

### **⚠ WARNING**

Adjust the control settings immediately if you notice any change in your ability to:

- Control the joystick.
- Avoid running into objects.

## G. ON BOARD PROGRAMMER OR DTT (DIAGNOSTIC TEST TOOL) OR RNET PC PROGRAMMER (Optional)

### **⚠ WARNING**

Program settings beyond the ability of the user can result in serious injury. Consult your health care advisor before you alter settings.

The On-board Programmer or RNET PC Programmer lets you adjust the control settings of the QM-710. Listed below are a few of the many settings that can be adjust via the On-board Programmer or RNET PC Programmer. (See RNET OBP Owner's Manual for full programmable parameters.)

- acceleration rate
- deceleration rate
- turn acceleration
- turn deceleration
- forward speed (max & min)
- reverse speed (max & min)
- turn speed (max & min)
- steer correct

### Programming the Chair:

- a. Access via DTT (Diagnostic Test Tool), or the PC Programmer require an inline connection to the communication cable.
- b. Program as needed.
- c. Remove Dongle or recycle power.

**NOTE**– Review the RNET OBP Owner's Manual for more details on how to program your chair.

## H. CTRL+5 ASSIGNABLE BUTTONS

The Ctrl+5 (Canbus switch) is a device that plugs into the PG Drives RNET system and allows for the set up of up to ten different functions into the ten discrete buttons, (each toggle switch is two buttons). This device uses the Sunrise Medical patented Assignable Buttons feature. The Ctrl+5 switches are pre-programmed from the factory to default values for the actuators on the chairs. Using the Dealer PC Programmer and dongle, the button assignments can be changed to any of the Assignable Buttons functions to suit the user just like the joystick buttons.

## I. JOYSTICK STATIONARY

Your chair has an available programming feature called “Joystick Stationary” which can be set by your dealer. This feature senses when the joystick is displaced from neutral, yet left in a steady position for a predetermined period of time. The controller will automatically turn off if the set time has been reached. This feature is designed to protect the user, batteries and electronics if the joystick is inadvertently displaced. There are two parameters that can be adjusted:

### 1. Joystick Stationary Time:

This is the time the joystick has to remain within the stationary range before the unit will come to a stop. It can be programmed from 0 to 60 minutes in steps of one minute. Select 0 to disable the function. Default setting is 0 (Disabled).

### 2. Joystick Stationary Range:

This determines the size of a region around the present joystick position. If the joystick remains within this region for the stationary time the controller will stop. The range can be programmed from 1 to 50, in steps of 1. Default setting is 1.

### **⚠ WARNING**

Before turning on or adjusting these parameters, carefully read and understand the implications for use of these features, Joystick Stationary Time and Joystick Stationary Range. When the “Joystick Stationary Time” is reached within the “Joystick Stationary Range”, the drive motors on the chair will shut off. As an example, this will happen while driving in a straight line for extended periods of time with no joystick movement. Once the drive motors turn off, the user will need to turn the chair off and back on to drive.

## J. THERMAL ROLL-BACK

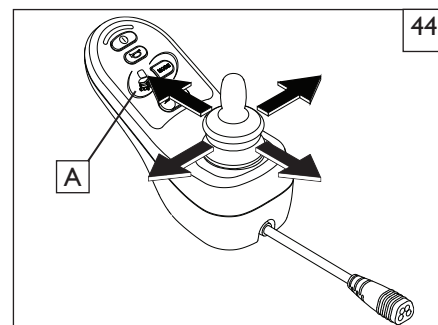
Your chair has a thermal roll back circuit. This protects the controller from damage due to overheating. In extreme conditions (such as repetitive hill climbing) the circuit will decrease the power to your motors. This allows the chair to operate at a reduced speed. When the controller cools, the chair will return to normal speed.

## K. POWER RECLINE, TILT & LIFT OPERATION 44

The power recline, tilt and lift features on your chair can all be operated using the joystick on your chair. Follow the instructions below to operate:

### If the thru drive option was selected,

1. Make sure your controller is on.
2. From the Drive Mode, press the Mode button(A) to enter Power Seating Mode.
3. Move the joystick left or right selecting the power option (recline, tilt, lift, legrests) you wish to control.
4. Move the joystick forward or backward to adjust the selected power option to the desired position.
5. Press the Mode button(A) to return to normal operation or continue moving the joystick left or right to adjust the next power option. Multiple Mode button presses will be necessary if other modules, such as Bluetooth or Output, are active.



## A. INTRODUCTION

### 1. Notes—

- Batteries supply the power for your chair. They contain a finite amount of energy and have limits on how long they can store and supply energy.
- You can charge batteries only a certain number of times before they will fail and no longer hold a charge.
- For answers to questions about batteries, consult your Authorized Dealer.

### 2. Use Proper Batteries:

Your chair operates on two 12 volt batteries.

- They should be Group 24, 34 (or 22NF) size with a minimum of 50 ampere hour rating.
- Only **deep cycle sealed case** construction batteries should be used in this device.
- Connecting Type: Post style batteries or flat top batteries (used when lowest seat-to-floor height is desired).
- When you buy a replacement, insist on a **deep cycle sealed case** type. Do not use any other kind of battery.
- Group 24 batteries are a minimum requirement for power seating.

### 3. Breaking In:

- A battery requires “breaking-in” for the first 6 to 12 charges. It will not accept a full charge for this period.
- It is best to limit the length of your trips until you break the batteries in and you know the range of your chair.

### 4. Discharged Batteries:

- **Never** allow a battery to completely discharge. If you operate your wheelchair until it has almost stopped, you will greatly reduce the life of your batteries.
- **Never** let a battery sit in a discharged condition. Give unused or stored batteries a full charge once per month.
- **Always** fully charge the batteries. **Avoid** charging when it is not necessary.

### WARNING

Never connect a life support or auxiliary device to a wheelchair battery. The electrical system may fail, and result in severe injury to or death of user.

## B. CHARGING YOUR BATTERIES

### WARNING

To avoid the risk of severe injury or death from electrical shock, fire or explosion while charging: Never connect charger to a 240 volt source. The main input voltage is 110 volts. Never make direct contact across both battery terminals, as an explosion may occur. A spark may result in an explosion and/or fire resulting in severe injury or death.

### WARNING

**Never** touch the charger after it is connected to an electrical outlet. This may cause electrical shock.

**Never** connect or disconnect charger from battery while there is power to the charger.

### WARNING

1. **Never** use an extension cord. Use of an improper cord could damage the charger or cause a fire or electrical shock.
2. A battery emits explosive hydrogen gas during charging. To reduce the risk of fire or explosion:
  - Never smoke or allow a spark, flame or high heat near battery during charging.
  - Never allow metal tools or chair parts to make direct contact across both battery terminals.

### ALWAYS:

1. Use the charger that comes with your wheelchair. Read and follow all instructions and warnings.
2. Make sure room is well ventilated.
3. Turn off all power to your chair.
4. Connect and disconnect battery cables with caution.

**NOTE—** Always remove and reattach the negative cable (black cable) first.

5. Make sure to allow enough time to fully charge batteries.

**NOTE—** Batteries should never be left for long periods in the discharged state. Unused or stored batteries should be given a charge once per month.

### Procedure for connecting the charger and charging

- Connect the battery charger round output plug to the charging socket on the front of the joystick module, Fig. 45
- Connect the charger to the main supply by means of the main plug and switch on wall socket if necessary.
- The GREEN light will flash to show power is on and the charger is initializing.
- The ORANGE light comes on to show that the batteries are charging.
- Flickering between ORANGE and GREEN shows that charge is almost complete.
- Solid GREEN indicates charge is complete.



### WARNING

When buying replacement batteries or charger always consult your Sunrise Medical service agent. Do not leave the charger connected to the battery with the mains disconnected or switched off. This could result in damage to your battery being caused by deep discharge over a period of time.

To reduce the risk of damage to electric plug and cord, pull by the plug rather than the cord when disconnecting the charger.

**NOTE—** Battery chargers are only intended to charge 24V; Group 22, Group 24, and Group 34; Lead Acid or Gel style batteries.

## C. BATTERY CHARGER

A battery charger produces a direct current (DC). When applied to a discharged battery, this reverses the chemical reaction that led to its discharge.

- Charge Rate. How fast a battery will charge depends on:**
  - Its electrical capacity; state of charge; electrolyte temperature, and; internal condition.
  - The DC output of the charger. (The charge rate will vary if the alternating current (AC) supply is higher or lower than 110 volts).
- Caution — To Avoid Damage to the Charger:**
  - Never place the charger on top of a battery during charging. (Gases from the battery can damage the charger and may lead to an explosion or fire).
  - Never place a battery on top of the charger.
  - Never expose charger to rain or snow.
  - Never unplug charger by pulling on the electrical cord. This will damage the cord.
  - Never open a charger or attempt to repair it yourself. Return charger to Sunrise or have repairs made only by a qualified person.
  - Keep cord out of the way, where it will not be stepped on, tripped over, or damaged.
- Caution — To Avoid Damage to the Battery:**
  - Make sure you use the correct setting for sealed (gel) batteries (located on the off-board charger).
  - Never charge a frozen battery. A fully charged battery will rarely freeze, but the fluid in a discharged battery can freeze at 16 degrees Fahrenheit (minus 9 degrees Centigrade). If you suspect a battery is frozen, thaw it before charging.

## D. CONNECTING BATTERIES IN THE BATTERY COMPARTMENT

### ⚠ WARNING

- Batteries weigh up to 55 lbs. (25 kg). Take care to avoid injury when lifting.
- Keep batteries upright.
- Always wear rubber gloves and safety glasses when you handle batteries.
- Before working around batteries, remove all metal personal effects, such as necklaces, rings, watches, pins and other metal jewelry that might contact battery terminal and cause a short.
- Connect and disconnect battery cables with caution. Connect the positive lead to the positive terminal and the negative lead to the negative terminal. Do this for each battery.
- Tighten all terminal fasteners using two 1/2" box end wrenches to 60 in-lbs (6.8 N.m).
- Place the battery compartment lid on power base.
- To charge batteries, use the off-board charger by plugging off-board charger plug into the off-board charger socket.

## E. BATTERY MAINTENANCE

### ⚠ WARNING

- Fire or sparks**
  - Never smoke or hold an open flame near batteries.
- Protect your skin and clothes**
  - Always wear rubber gloves and safety glasses when you handle batteries.
- Corrosion:**

Check battery terminals often for corrosion.

  - If corrosion is present, use a wire brush to clean the terminals.
  - Use petroleum jelly to re-grease the terminals after connecting cable to battery. (Completely cover the terminal nut and bolt, cable clip and any exposed cable with jelly).
- For Answers To Questions about batteries: Contact your authorized dealer.**

## F. DISPOSING OF BATTERIES

### ⚠ WARNING

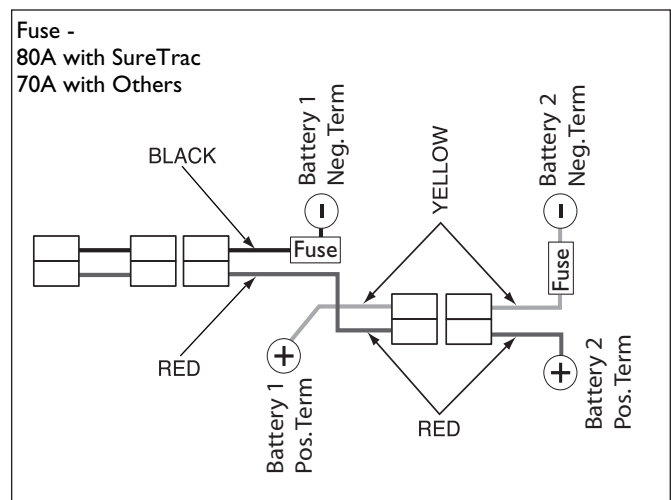
- All batteries once they have reached the end of their useful life are deemed to be hazardous waste.
- For further information on handling and recycling contact your local recycling authority.
- Always dispose of product through a recognized agent.

## G. FUSES

Your Quickie QM-710/715HD/720 has two inline fuses.

- In the unlikely event of a short circuit or other fault, all power to your chair will be shut off to protect your motors and controller from damage.
- Qualified service personnel are required to repair the fault and replace the battery harnesses.

## H. BATTERY WIRING DIAGRAM



QM-7 Series Wiring diagram



## ⚠ WARNING

The owner of this chair is responsible for making sure that it has been setup and adjusted by a trained service professional under the advice of a Healthcare Professional. Service or adjustments should only be done with the advice of a Healthcare Professional. Always use parts and accessories that have been recommended and approved by Sunrise Medical when servicing this chair. Service and/or adjustments that require the use of tools, should only be done by an authorized supplier under the advice of a healthcare professional.

### A. DEALER SERVICE INTRODUCTION

1. At least once per year, this chair should have a complete inspection, safety check, and regular service made by an authorized dealer.
2. If you have discovered a worn, bent, or damaged part, repair or replace them with recommended parts **before returning this chair to service.**
3. All major maintenance and repair work should be done by the Authorized Dealer.
4. The tool list at right is essential for any significant repair or maintenance work.

### B. CRITICAL MAINTENANCE TIPS

#### 1. Torque settings:

A torque setting is the optimum tightening which should be made on a particular fastener. It is important to use proper torque settings where specified. When not specified, torque settings should be set at a minimum of 60 in-lbs.

**NOTE-** Maximum torque for motor mount bolts: 80 in-lbs (11Nm).

#### 2. Dealer Service and Adjustment Reference materials:

Go to [www.sunrisemedical.com](http://www.sunrisemedical.com) for parts manuals, instruction sheets, and instructional videos that will aid in the repair of the Quickie/ Zippie Family of wheelchairs.

### C. CLEANING

#### 1. Paint Finish

- a. Clean the painted surfaces with mild soap or detergent.
- b. Protect the paint with a coat of non-abrasive auto wax.

#### 2. Axles and Moving Parts

- a. Clean around axles and moving parts with a slightly damp (not wet) cloth.
- b. Wipe off or blow away any fluff, dust or dirt on axles or moving parts.
- c. **DO NOT USE 3 in 1 oil, or WD-40 ® for lubrication.** Only use Teflon based Lubricant when working on this wheelchair.

### D. ADJUSTMENT NOTES

#### 1. Work Surface For Set-Up:

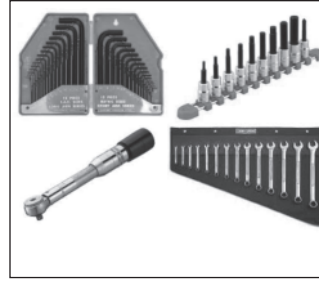
Use a flat surface, such as a table, to assemble, adjust and check your chair. This makes the steps easier and helps ensure a correct set-up.

#### 2. Fasteners:

- Many of the screws and bolts on this chair are special high-strength fasteners and may have special coatings.
- Many nuts are of the Nylock type. They have a plastic insert to help prevent loosening.
- Only use screws, bolts and nuts provided by Sunrise.

## ⚠ WARNING

- a. Use of improper fasteners may cause the chair to fail.
- b. Over- or under-tightened fasteners may fail or cause damage to chair parts.
- c. If bolts or screws become loose, tighten them as soon as you can. Loose bolts or screws can cause damage to other chair parts causing them to fail.



#### TOOLS YOU WILL NEED

1. Imperial Hex key set
2. Metric Hex key set
3. Imperial Open Wrench set
4. Metric Open Wrench set
5. Torque wrench
6. Imperial Hex bit Socket set
7. Metric Hex bit Socket set
8. Phillips and Flat screwdriver

#### 3. Washers & Spacers:

- Note the position of washers and spacers before disassembly.
- To avoid damage to the frame, replace all washers and spacers when you reassemble parts.

### E. FRONT LIGHTING ADJUSTMENT <sup>46</sup>

## ⚠ WARNING

Lighting adjustments beyond the ability of the user can result in serious injury. The front lighting assembly can be adjusted laterally or vertically to the user's needs. Any adjustment will have a better result if it is carried out in a dark room or garage. The user should also be in the chair to verify that the angles and placement for lighting are correct for their height and abilities.

#### 1. Left, Right, adjustment

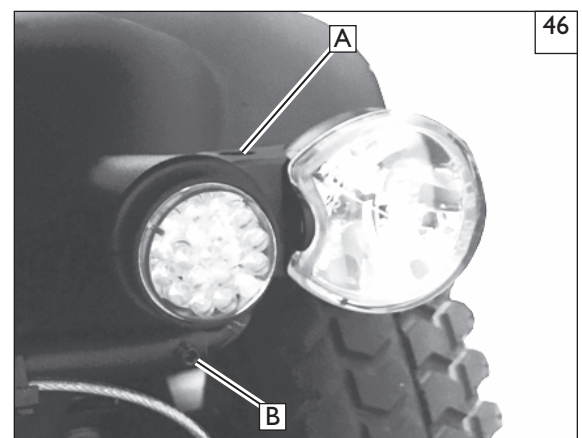
- a. Using a 3mm hex key, loosen the screw (A) and move the lighting unit laterally, centering the beam in front of the rider at the preferred distance.
- b. Use the same procedure for the other side of the chair.
- c. Retighten the screws.

#### 2. Vertical adjustment

- a. Using a 2.5 mm hex key, loosen the set screws (B) on both sides of the chair and move the lighting units vertically, so that the surface in front of the chair is well lit at the correct distance for the user.

**NOTE** - The measured distance in front of the chair where the beams light up the riding surface will depend on average speed, and the height of the user.

- b. Tighten the set screws so that the lighting unit won't move when bumped, or vibrate loose.
- c. Make sure the adjustment is correct by allowing the user to drive with the new setting. Make any additional adjustments that are necessary.

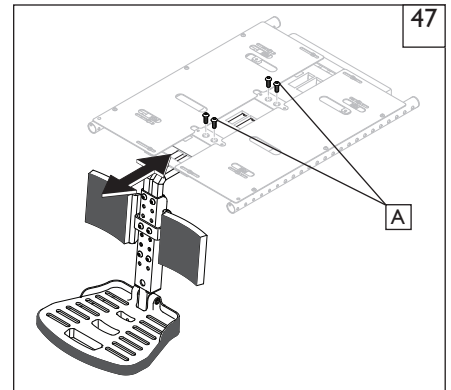


**F. CENTER MOUNT HANGER ADJUSTMENT** 47 48 49

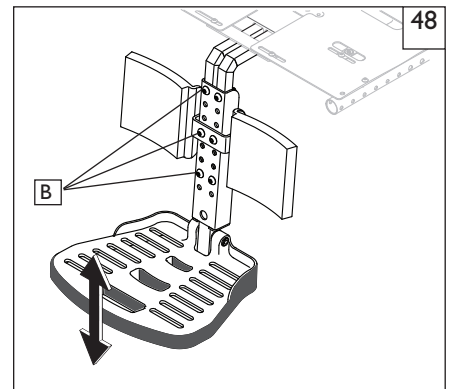
(ASAP Seating only)

**1. Removing the assembly** 47

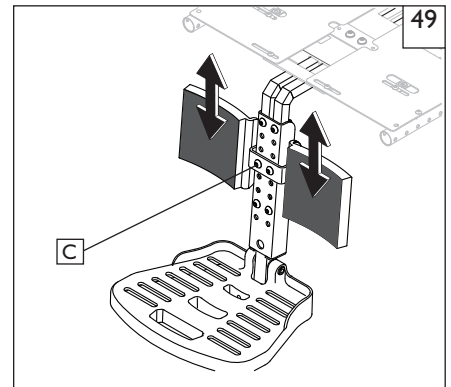
- a. Remove the four screws (A) and slide the footrest assembly out of the receiver.

**2. Footplate Height Adjustment** 48

- a. Remove the six securing screws (B).
- b. Move the footplate up or down to the desired height.
- c. Re-install screws (B) through adjusted holes and tighten the hardware.

**3. Calf pad Adjustment** 49

- a. Remove the two securing screws (C).
- b. Move Calf Pads to desired height.
- c. Re-install screws (C) through adjusted holes.

**G. ANGLE ADJUSTABLE CENTER MOUNT FOOTREST** 50**1. Footplate Depth Adjustment**

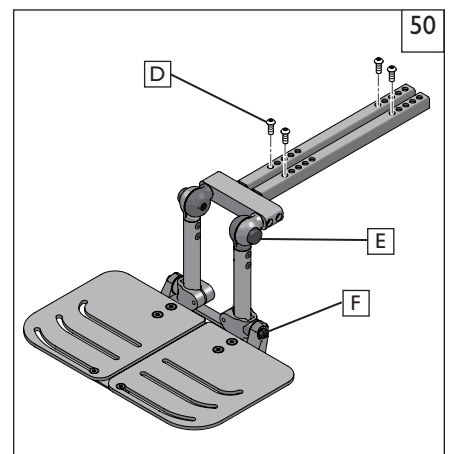
- a. Remove the hardware(D) from the support frame tubes.
- b. Move the footrest assembly forward or back for depth adjustments
- c. Insert the hardware to lock the adjustment; in place.
- d. Re-tighten all hardware(D)

**2. Footplate Angle adjustment**

- a. Press and hold both buttons(E).
- b. Move the footrest /extension tube assembly up or down to set the correct angle.
- c. Release the button and make sure the footrest clicks to lock.

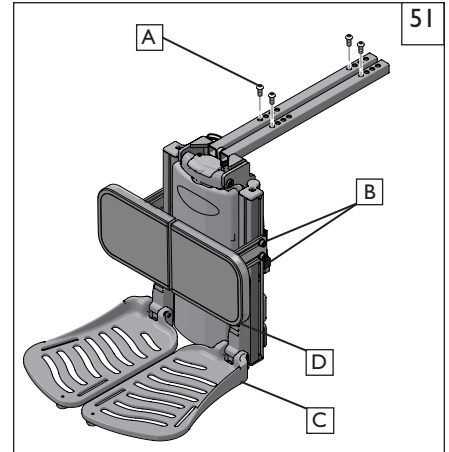
**3. Footplate Height Adjustment**

- a. Remove the hardware(F) from the hanger clamps.
- b. Move the footplates up or down to set the correct height.
- c. Re-tighten the hardware to hold the adjustment in place.

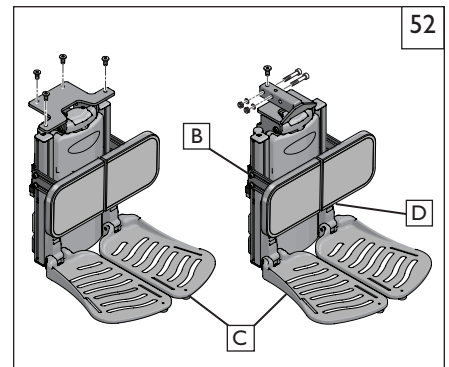


**H. POWER CENTER MOUNT FOOTREST (ASAP)** 51

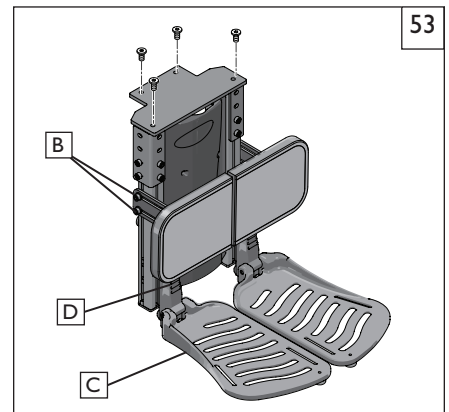
- 1. Footrest Depth Adjustment (Not recommended)**
  - a. Remove the hardware(A) from the support frame tubes.
  - b. Move the footrest assembly forward or back for depth adjustments
  - c. Insert the hardware to lock the adjustment in place.
  - d. Re-tighten all hardware.
- 2. Calfpad height, depth and angle adjustment**
  - a. Using a 5mm hex key, loosen both screws(B) and move the calfpad to the desired setting.
  - b. Adjust both sides equally in most cases.
  - c. Re-tighten the hardware.
- 3. Footplate Height Adjustment**
  - a. The footplates(C) can be raised or lowered
  - b. Using a 5mm hex key, loosen the screws (D) holding the upper footplate mounting bracket, and move the footplates up or down to set the correct height.
  - c. Re-tighten the hardware to hold the adjustment in place.

**I. POWER CENTER MOUNT FOOTREST (RECLINE)** 52

- 1 Calfpad height, depth, and angle adjustment**
  - a. Using a 5mm hex key, loosen both screws(B) and move the calfpad the the desired support distance.
  - b. Adjust both sides equally in most cases.
  - c. Re-tighten the hardware.
- 2. Powered Footplate Height Adjustment**
  - a. Using a 5mm hex key, loosen the screws (D) holding the upper footplate mounting bracket, and move the footplates up or down to set the correct height.
  - b. Move the footplates (C) up or down to set the correct height.
  - c. Re-tighten the hardware to hold the adjustment in place.

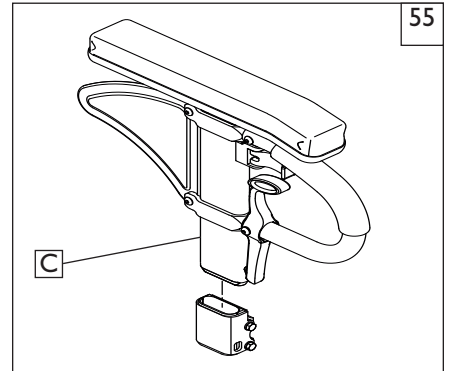
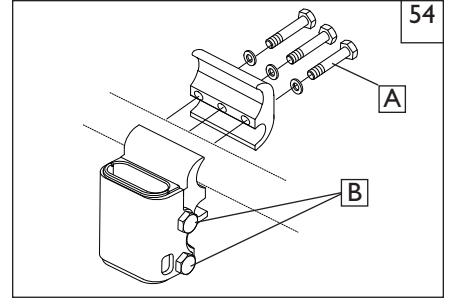
**J FIXED CENTER MOUNT FOOTREST (POWER RECLINE)** 53

- 1 Calfpad height, depth, and angle adjustment**
  - a. Using a 5mm hex key, loosen both screws(B) and move the calfpad to the desired support distance.
  - b. Adjust both sides equally in most cases.
  - c. Re-tighten the hardware.
- 2. Powered Footplate Height Adjustment**
  - a. Using a 5mm hex key, loosen the screws (D) holding the upper footplate mounting bracket, and move the footplates up or down to set the correct height.
  - b. Move the footplates (C) up or down to set the correct height.
  - c. Re-tighten the hardware to hold the adjustment in place.



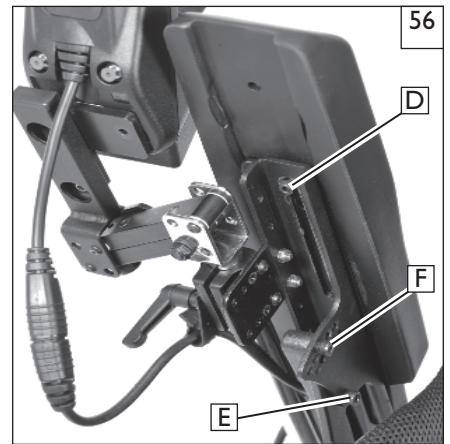
**K. SINGLE POST HEIGHT-ADJUSTABLE ARMRESTS (optional)** 54 55

1. **Adjusting armrest receiver (forwards or backwards)**
  - a. Loosen the 3 bolts (A) on the receiver clamp.
  - b. You can move the armrest and receiver forwards or backwards for a universal fit.
  - c. Tighten the hardware when adjustment is complete(A).
2. **Adjusting Armrest Receiver Fit (tighten or loosen fit)**  
 To tighten or loosen the fit of the outer armrest in the receiver:
  - a. Loosen the four bolts (B) on both sides of the receiver.
  - b. With the armrest in the receiver, squeeze the receiver to achieve the desired fit.
  - c. Continue the pressure on the receiver and tighten the four bolts.
3. **Adjusting Inner Armrest Fit**
  - a. Two set screws(C) are installed in the outer armrest.
  - b. Turn the set screws in or out until the desired fit is achieved.

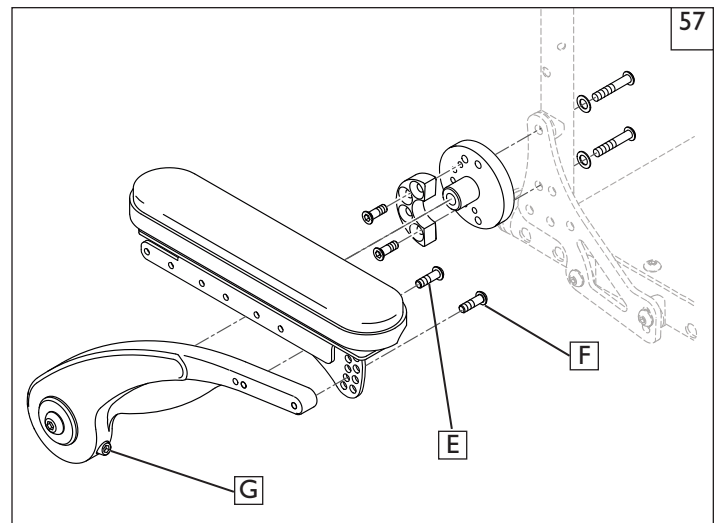


**L. CANTILEVER ARMRESTS (optional)** 56 57

1. **Adjusting Armrest Pad (forwards or backwards)**
  - a. Loosen the 2 bolts (D) on the armrest pad bracket.
  - b. You can move the armrest and receiver forwards or backwards for a universal fit.
  - c. Tighten the hardware when adjustment is complete.
2. **Adjusting Armrest Angle or levelling the armrest after height adjustment.**
  - a. Loosen the pivot bolt (E) on the armrest angle bracket.
  - b. Remove the Socket head screw and hardware. (F)
  - c. Adjust the angle of the armrest and joystick and re-insert the hardware thru the adjusted hole.
  - d. Tighten all hardware when adjustments are complete.
3. **Adjusting Armrest Height (within factory limits)**
  - a. Locate the height adjustment screw (G) at the bottom of the cantilever arm and adjust the height by using a 5mm hex key and turning the screw either clockwise (more height), or counter-clockwise (less height).
  - b. Do not loosen the screw to the point where it will fall out of the armrest. If this happens simply re-thread the screw into the armrest until it starts to height adjust the armrest again.
  - c. When you reach desired height remember to level the armrest using screws (E) and (F) as shown in step 2 above.



NOTE- The cantilever armrest has about 2" of adjustment set from the factory. In most cases the external height adjustment will be all that is necessary for a proper fit

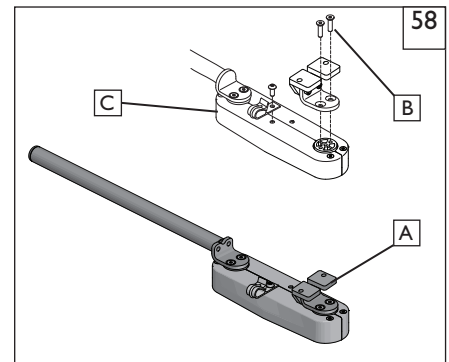


**M. RETRACTABLE JOYSTICK MOUNT** 58

The Retractable Joystick Mount can swing in/out in increments of 45°, 90°, and 135°

**1. Height adjustment**

- Remove the Joystick mount (A) by removing hardware (B).
- Flip bracket (C) upside down and re-attach the Joystick mount assembly components
- Replace and retighten bolts on each side.

**N. MIDLINE JOYSTICK MOUNT** 59

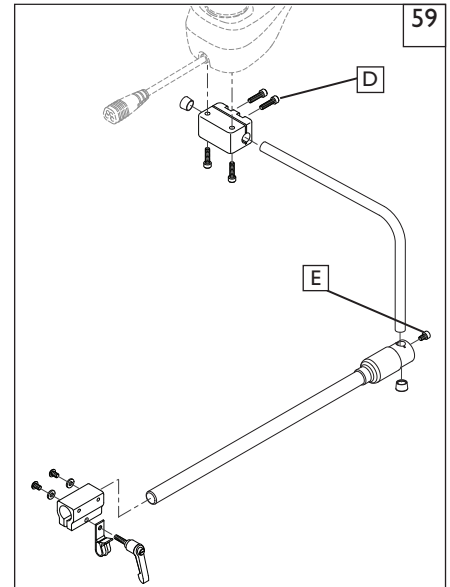
The Midline Joystick Mount has 3 axis adjustment, and can be rotated out of the way.

**1. Left, Right, Center adjustment**

- Loosen the clamp screws (D) and move the joystick laterally in front of the rider.
- After finding the most comfortable adjustment, make sure the Joystick is level.
- Retighten the clamp screws.

**2. Height adjustment**

- Loosen the clamp screw (E) and move the joystick vertically,
- After finding the most comfortable adjustment, retighten the clamp screw.

**O. SEAT DEPTH ADJUSTMENT** 10" - 18", 12" - 20" only

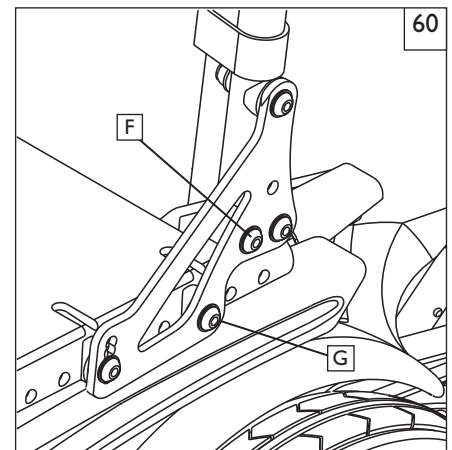
The seat depth can be adjusted in one inch increments on standard Rehab Seating. 60

**1. Seat Frame Depth Adjustment**

- To adjust, remove the two bolts (F & G) from each side of the backrest pivot plate.
- Reposition the backrest to the desired position.
- Replace and retighten bolts on each side of the backrest pivot plate.

**2. Back Angle Adjustment on Seat Frame**

- Remove the front securing bolt (F) on the side of the backrest hinge plate.
- Loosen the lower rear bolt (G)
- Set at desired angle. There are five holes (in 4° increments) to choose from.
- Reinstall the front bolt and tighten both bolts securely.



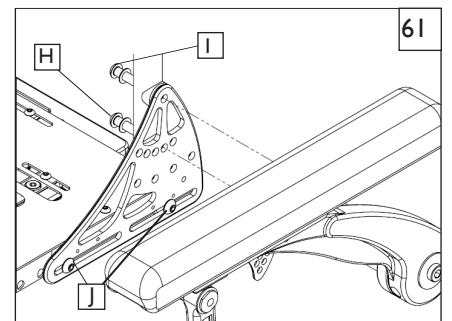
Seat adjustment ASAP Seating. 61

**1. Seat Frame Depth Adjustment**

- To adjust, loosen, or remove, the two bolts (J).
- Reposition the backrest to the desired position.
- Tighten bolts securely.

**2. Back Angle Adjustment on Seat Frame**

- Remove the securing bolt (H) on the backrest plate.
- Loosen the upper bolt (I)
- Set at desired angle. There are five holes (in 12° increments) to choose from.
- Reinstall bolt (H) through the back post and back plate, and then into the mounting hole on the armrest. Tighten both bolts securely.



## P. ASAP II SEATING ADJUSTMENT

Please refer to the ASAP Seating Adjustment Guide for details on how to adjust the seat depth, seat width, armrest height and backrest angle.

**Pre-tilt and Seat-to-floor height** 62 63 64

**Pre-tilt positioning:** 62

- For 0° pre-tilt use hole positioning number (X) on the packer module.
- For 3° pre-tilt use hole positioning number (Y) on the packer module
- For 6° pre-tilt use hole positioning number (Z) on the packer module

**Seat-to-Floor Height:** 63 64

Seat-to-floor height is accomplished by using the same hole number on both the front and rear posts when raising or lowering the seated position.

### ⚠ WARNING

**DO NOT** Increase the front post height independent from the rear posts when providing seating pre-tilt. Use only the Pre-tilt positioning holes on the Packer module (Figure 20).

**NOTE-** For chairs configured with seat elevator and SPOT Tilt, do not increase the pre-tilt to greater than 0°. For chairs configured with SPOT tilt and seat elevator do not increase the seat-to-floor height greater than 3" from lowest position.

## Q. SEAT PAN AND BACK SIZE ADJUSTMENTS

Your ASAP II seating system can be adjusted to a wide range of widths and depths to accommodate specific user needs. Seating dimensions should only be altered by a trained professional and may require new seat cushions. Please refer to the QM-710/715HD/720 Service Manual for more detailed instructions on how to personalize the size of your seat.

## R. REPAIRING OR REPLACING A TIRE 65

### ⚠ WARNING

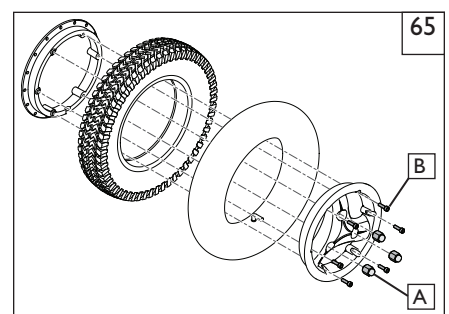
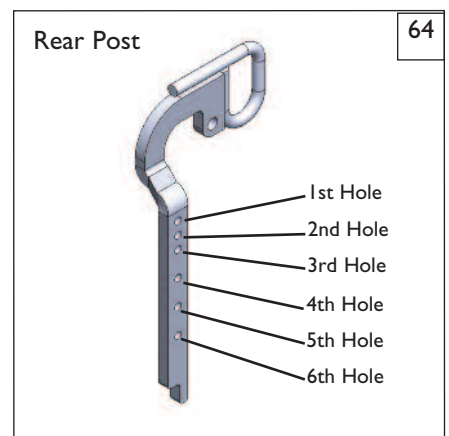
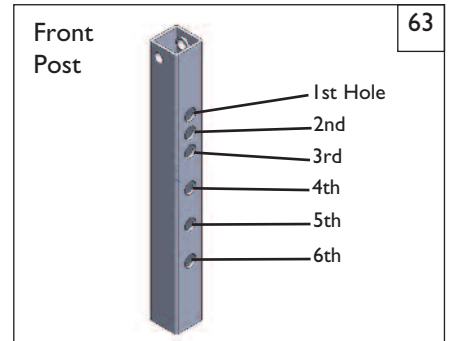
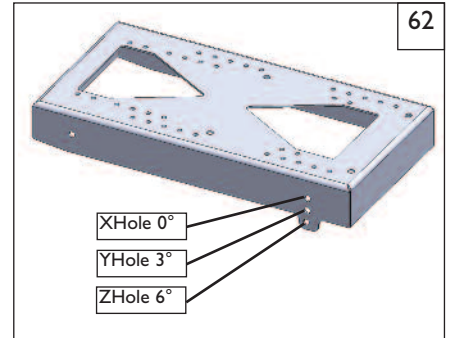
Residual air pressure in tires can cause severe injury. Make sure you release all air in tire before attempting to service or repair tires.

#### 1. Drive Wheels:

- a. Elevate and securely support chair so that wheel is off the ground. Release all air from tire.
- b. Remove the three main lugnuts (A).
- c. Remove the Drive wheel/tire assembly

#### 2. Air Tube:

- a. To replace the air tube, remove the six hex screws (B) so that the rims can be separated.
- b. Separate the two halves of the rim and remove tire and solid insert
- f. Repair or replace.
- g. Reassemble the wheel. Use a torque setting of 420 in-lbs to re-tighten the bolts.
- h. Install the wheel on the chair using a torque setting of 180 in-lbs to retighten the bolts.
- i. Inflate the tire to the proper pressure level (listed on the tire sidewall)



**A. FOR FIVE (5) YEARS**

Sunrise warrants the frame of this wheelchair against defects in materials and workmanship for five years from date of first consumer purchase.

**B. FOR ONE (1) YEAR**

We warrant all Sunrise-made parts and components of this wheelchair including: motors, gearboxes, and electronic components, against defects in materials and workmanship for one year from the date of first consumer purchase.

**C. FOR SIX MONTHS**

We warrant batteries for 6 months from the date of first consumer purchase.

**D. LIMITATIONS**

1. We do not warrant:
  - a. Tires and tubes, upholstery, pads and push-handle grips.
  - b. Damage from neglect, accident, misuse, or from improper installation or repair.
  - c. Products modified without Sunrise Medical's express written consent.
  - d. Damage from exceeding the weight limit.
2. This warranty is VOID if the original chair serial number tag is removed or altered.
3. This warranty applies in the USA and Canada only. Check with your authorized dealer to find out if international warranties apply.
4. This warranty is not transferable and only applies to the first consumer purchase of this wheelchair through an authorized Sunrise Medical dealer.

**E. WHAT WE WILL DO**

Our sole liability is to repair or replace covered parts. This is the exclusive remedy for consequential damages.

**F. WHAT YOU/DEALER MUST DO**

1. Obtain from an authorized supplier, while this warranty is in effect, prior approval for return or repair of covered parts.
2. Return the wheelchair or part(s), freight pre-paid to the designated Sunrise Medical location.
3. Pay the cost of labor to repair, remove or install parts.

**G. NOTICE TO CONSUMER**

1. If allowed by law, this warranty is in place of any other warranty (written or oral, express or implied, including a warranty of merchantability, or fitness for a particular purpose).
2. This warranty gives you certain legal rights. You may also have other rights that vary from state to state or province to province.

**H. ADDITIONAL WARRANTY INFORMATION**

For goods provided by Sunrise Medical Pty Ltd in Australia, our goods come with a guarantee by Sunrise that cannot be excluded under the Australian Consumer Law. You are entitled to a replacement or refund for a major failure and for compensation for any other reasonably foreseeable loss or damage. You are also entitled to have the goods repaired or replaced if the goods fail to be of acceptable quality and the failure does not amount to a major failure. The benefits to you given by this warranty are in addition to your other rights and remedies under a law in relation to the goods to which the warranty relates.

Record your serial number here for future reference:

---

Sunrise Medical (US) LLC  
North American Headquarters  
12002 Volunteer Blvd.  
Mount Juliet, TN 37122, USA  
(800) 333-4000  
(800) 300-7502  
[www.SunriseMedical.com](http://www.SunriseMedical.com)

Sunrise Medical Canada Inc.  
1000 Creditstone Rd., Unit #2  
Concord, ON, L4K 4P8  
Canada  
Phone: 1-800-263-3390  
Fax: 1-800-561-5834  
[www.SunriseMedical.ca](http://www.SunriseMedical.ca)

