



QRi

Quickie® QRi

Supplier: This manual must be given to the rider of this wheelchair.

Rider: Before using this wheelchair read this entire manual and save it for future reference.

Owner's Manual

Quickie® QRi

Distribuidor: Este manual debe ser entregado al pasajero de esta silla de ruedas.

Pasajero: Antes de usar esta silla de ruedas, lea este manual en su totalidad y guárdelo para futura referencia.

Cada una de las sillas se envía con un manual de instrucciones en inglés. El manual en español o francés está disponible en formato PDF en nuestra página en Internet: www.SunriseMedical.com. Ingrese a la página del producto específico para descargar el manual, o comuníquese con el proveedor autorizado de Sunrise Medical.

Manual de Instrucciones

Quickie® QRi

Fournisseur: Ce manuel doit être remis à l'utilisateur / utilisatrice de ce fauteuil roulant.

Utilisateur / Utilisatrice: Avant d'utiliser ce fauteuil roulant, lisez entièrement ce manuel et conservez-le pour le consulter ultérieurement.

Chaque fauteuil est livré avec un manuel d'instructions en anglais. Les versions en espagnol et en français sont à votre disposition en format PDF sur le site: www.SunriseMedical.com. Veuillez vous rendre à la page de votre produit pour télécharger le manuel dans la langue souhaitée, ou contactez un fournisseur agréé Sunrise Medical.

Mode d'emploi

P/N 122143 Rev. E



SUNRISE MEDICAL LISTENS

Thank you for choosing a Quickie wheelchair. We want to hear your questions or comments about this manual, the safety and reliability of your chair, and the service you receive from your Sunrise supplier. Please feel free to write or call us at the address and telephone number below:

Sunrise Medical

Customer Service Department
12002 Volunteer Blvd.
Mount Juliet, TN 37122, USA
(800) 333-4000

Be sure to return your warranty card, and let us know if you change your address. This will allow us to keep you up to date with information about safety, new products and options to increase your use and enjoyment of this wheelchair. If you lose your warranty card, call or write and we will gladly send you a new one.

FOR ANSWERS TO YOUR QUESTIONS

Your authorized supplier knows your wheelchair best, and can answer most of your questions about chair safety, use and maintenance. For future reference, fill in the following:

Supplier: _____

Address: _____

Telephone: _____

Serial #: _____ Date/Purchased: _____

I. INTRODUCTION	2	G. Footrests	11
II. TABLE OF CONTENTS	3	H. Pneumatic Tires	12
III. YOUR CHAIR AND ITS PARTS	4	I. Positioning Belts (Optional).....	12
IV. NOTICE- READ BEFORE USE.....	4	J. Push Handles (Optional).....	12
A. Choose The Right Chair & Safety Options.....	4	K. Quick-Release Axles	12
B. Review This Manual Often	4	L. Rear Wheels.....	12
C. Warnings	4	M. Rear Wheel Locks.....	12
V. GENERAL WARNINGS.....	5	N. Modified Seat Systems.....	12
A. Weight Limit.....	5	O. Seat And Back Upholstery	12
B. Intended Use	5	P. Seat Back.....	12
C. Attendants And Caregivers.....	5	VIII. USER MAINTENANCE AND SAFETY	13
D. Accessories.....	5	A. Introduction.....	13
E. Know Your Chair.....	5	B. Critical Maintenance Tips.....	13
F. Reduce The Risk Of An Accident.....	5	C. Cleaning.....	13
G. Safety Checklist.....	5	D. Safety Checklist.....	13
H. Changes & Adjustments.....	5	E. Troubleshooting Chart.....	13
I. Environmental Conditions.....	5	F. To Mount & Remove Rear Wheels	14
J. Terrain	6	G. Wheel Locks	14
K. Street Use.....	6	H. Casters	14
L. Motor Vehicle Safety	6	I. Anti-Tips (Option)	15
M. When You Need Help.....	6	J. Armrests	15
VI. SAFETY WARNINGS: FALLS & TIP-OVERS.....	7	K. Padded Swing-Away Armrests (Option)	15
A. Center Of Balance.....	7	L. Cushion Installation (Option)	16
B. Dressing Or Changing Clothes	7	M. Back Angle Adjustment	16
C. Obstacles	7	N. Backrest Tension Adjustable	16
D. Front Caster Lift	7	O. Check-Out.....	16
E. Reaching Or Leaning.....	7	IX. DEALER SERVICE AND ADJUSTMENT	17
F. Moving Backward	7	A. Dealer Service Introduction	17
G. Escalators	8	B. Critical Maintenance Tips.....	17
H. Ramps, Slopes & Sidehills	8	C. Cleaning.....	17
I. Transfers.....	8	D. Rear Wheel Axle Nut Adjustment	17
J. Curbs & Single Steps.....	9	E. Wheel Locks	18
K. Climbing A Curb Or Single Step.....	9	F. Anti-Tip Receiver	18
L. Descending A Curb Or Single Step.....	9	G. Casters	18
M. Stairs.....	10	H. Forks	19
N. Climbing Stairs.....	10	I. Single Post Armrest Receiver Attachment	19
O. Descending Stairs.....	10	J. Padded Swing-Away Armrests (Option)	19
VII. WARNINGS: COMPONENTS & OPTIONS.....	11	K. Footrest Height Adjustment	20
A. Anti-Tip Tubes	11	L. Back Angle Adjustment	20
B. Armrests	11	M. Adjusting Rear Seat Height	20
C. Caster Pin Locks.....	11	N. Seat Sling Adjustment	20
D. Cushions & Sling Seats.....	11	O. Rear Axle.....	21
E. Fasteners	11	P. Rear Wheel Spacing	22
F. Offset Seating (Optional)	11	X. SUNRISE LIMITED WARRANTY	23



1. Backrest
2. Tire
3. Handrim
4. Wheel Rim
5. Spokes
6. Rear Wheel Hub
7. Quick-release Axle
8. Axle Plate
9. Caster Housing
10. Caster Wheel
11. Caster Leg
12. Footrest
13. Fork
14. Camber Tube
15. Wheel Lock
16. Seat Sling/Cushion

All features may not be available with some chair setups or in conjunction with another chair feature. Please consult your authorized supplier for more information.

IV. NOTICE- READ BEFORE USE

A. CHOOSE THE RIGHT CHAIR & SAFETY OPTIONS

Sunrise provides a choice of many wheelchair styles to meet your needs. This product is intended for single person use only. Final selection of the type of wheelchair, options and adjustments rests solely with you and your health care professional. Choosing the best chair for your unique mobility needs, will depend on such things as:

1. Your disability, strength, balance and coordination.
2. The types of hazards you must overcome in daily use (where you live and work, and other places you are likely to use your chair).
3. The need for options that will improve your positioning, safety and comfort (such as anti-tip tubes, positioning belts, or special seating systems).

B. REVIEW THIS MANUAL OFTEN

Before using this chair you, and each person who may assist you, should read this entire manual and make sure to follow all instructions. Review the warnings often, until they are second nature to you.

C. WARNINGS

The word "WARNING" refers to a hazard or unsafe practice that may cause severe injury or death to you or to other persons. The "Warnings" are in three main sections, as follows:

1. V — GENERAL WARNINGS

Here you will find a safety checklist and a summary of risks you need to be aware of before you ride this chair.

2. VI — SAFETY WARNINGS: FALLS & TIP-OVERS

Here you will learn about practices for the safe use of your chair, and how to avoid a fall or tip-over while you perform daily activities in your chair.

3. VII — WARNINGS — COMPONENTS & OPTIONS

Here you will learn about the components of your chair and options you can select for safety. Consult your authorized supplier and your health care advisor to help you choose the best set-up and options for safe use.

NOTE- Where they apply, you will also find "Warnings" in other sections of this manual. Heed all warnings in these sections. If you fail to do so a fall, tip-over or loss of control may occur and cause severe injury to the rider or others.

A. WEIGHT LIMIT**⚠ WARNING**

NEVER exceed the weight limit specified by Sunrise Medical. The weight capacity provided by your manufacturer is for the combined weight of a rider and items carried using on-board storage. If you do exceed the weight limit, damage to your chair, a fall, tip-over or loss of control may occur and cause severe injury to the rider or others.

Weight Capacity

Quickie QRi - 265lbs/(120Kg).

B. INTENDED USE

The Quickie QRi wheelchair's intended use is to provide mobility to persons limited to a sitting position.

⚠ WARNING

DO NOT use this device for purposes other than what is intended by the manufacturer

1. The wheelchair is not designed for weight training and is unsafe for use as a seat while weight training. Weight training from the wheelchair substantially changes the stability of the chair and may cause tipping.
2. DO NOT stand on the frame of the wheelchair.
3. NEVER allow someone to stand on your chair or use it as a step ladder.
4. This chair is designed for a single rider only.
5. Unauthorized modifications and use of parts or accessories not supplied or approved by Sunrise Medical may change the chair structure. This will void the warranty and may cause a safety hazard. If the warning is ignored, damage to your chair, and the potential severe injury of the person using the chair for unintended purposes can occur.

C. ATTENDANTS AND CAREGIVERS**⚠ WARNING**

Before you assist a rider, be sure to read all warnings contained in this manual, and follow all instructions that apply. Be aware that after consulting a healthcare advisor, you will need to learn safe and proven body mechanics to use and create assistive methods best suited to your abilities.

D. ACCESSORIES**⚠ WARNING**

Unauthorized modifications or use of parts, or accessories not supplied or approved by Sunrise Medical may change the chair structure. This will void the warranty and may cause a safety hazard.

Some problems that may occur, but are not limited to:

1. Incorrect Wheels and/or tires that put the rider at risk of a fall or tip-over.
2. Adding a component to the frame, changing the structural integrity of the chair.
3. Any modification or disassembly can potentially create an unsafe situation where rider and/or attendant are put at risk.

E. KNOW YOUR CHAIR**⚠ WARNING**

Every wheelchair is different. Take the time to learn the feel of this chair before you begin riding. Start slowly, with easy, smooth strokes. If you are used to a different chair, you may use too much force and tip over. If you use too much force, damage to your chair, a fall, tip-over or loss of control may occur and cause severe injury to the rider or others.

F. REDUCE THE RISK OF AN ACCIDENT**⚠ WARNING**

1. BEFORE you begin riding, you should be trained in the safe use of this chair by your health care advisor.
2. Practice bending, reaching and transfers until you know the limit of your ability. Have someone help you until you know what can cause a fall or tip-over and how to avoid doing so.
3. Be aware that you must develop your own methods for safe use best suited to your level of function and ability.
4. NEVER try a new maneuver on your own. Ask the advice of your health care provider to lower the risk of a fall or tip over.
5. Get to know the areas where you plan to use your chair. Look for hazards and learn how to avoid them.

G. SAFETY CHECKLIST**⚠ WARNING**

Before Each Use Of Your Chair:

1. Make sure the chair rolls easily and that all parts work smoothly. Check for noise, vibration, or a change in ease of use. (This may indicate low tire pressure, loose fasteners, or damage to your chair).
2. Immediately repair any problem. Your authorized supplier can help you find and correct the problem.
3. Check to see that both quick-release rear axles are locked. When locked, the axle button will "pop out" fully. If not locked, the wheel may come off and cause you to fall.
4. If your chair has anti-tip tubes, lock them in place.

H. CHANGES & ADJUSTMENTS**⚠ WARNING**

1. See your healthcare advisor and have them adjust seating components any time a change or adjustment needs to be made.
2. Unauthorized modifications or use of parts not supplied or approved by Sunrise may change the chair structure. This will void the warranty and may cause a safety hazard.

If you fail to heed these warnings damage to your chair, a fall, tip-over or loss of control may occur and cause severe injury to the rider or others.

I. ENVIRONMENTAL CONDITIONS**⚠ WARNING**

1. Use extra care if you must ride your chair on a wet or slick surface. If you are in doubt, ask for help.
2. Contact with water or excess moisture may cause your chair to rust or corrode. Avoid all extreme weather situations if possible.
 - a. Do not use your chair in a shower, pool or other body of water. The chair tubing and parts are not water-tight and may rust or corrode from the inside.
 - b. Avoid excess moisture (for example, do not leave your chair in a damp bathroom while taking a shower).
 - c. Dry your chair as soon as you can if it gets wet, or if you use water to clean it.

If you fail to heed these warnings damage to your chair, a fall, tip-over or loss of control may occur and cause severe injury to the rider or others.

J. TERRAIN**⚠ WARNING**

1. Based on ANSI/RESNA testing, Sunrise Medical recommends the use of a caster wheel with a minimum diameter of 5", if the wheelchair will be overcoming obstacles up to 1/2" on a regular basis.
2. Your chair is designed for use on firm, even surfaces such as concrete, asphalt, indoor flooring, and carpets.
3. Do not operate your chair in sand, loose soil, or over rocky terrain.
4. If you use your chair on terrain that is rougher than described above there is a danger that screws and bolts will loosen prematurely, and that damage to wheels or axles could put the rider at risk of a fall, tip-over, or loss of control.

If you fail to heed these warnings damage to your chair, a fall, tip-over or loss of control may occur and cause severe injury to the rider or others.

K. STREET USE**⚠ WARNING**

1. This product is not intended for street use.
2. Avoid streets whenever possible.
3. Obey and follow all legal pedestrian pathways, and laws that apply to pedestrians.
4. Be alert to the danger of motor vehicles in parking lots, or if you must cross a road.

If you fail to heed this warning, damage to your chair, and a possible collision may occur and cause severe injury to the rider or others.

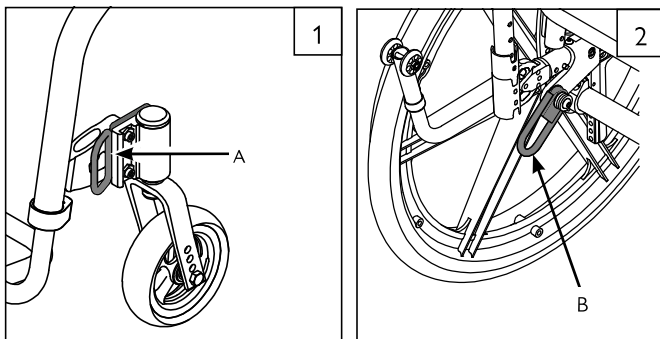
L. MOTOR VEHICLE SAFETY 1 2

If possible and feasible, the rider should transfer to the Original Equipment Manufacturer vehicle seat and use the OEM vehicle restraint.

Sunrise Medical does provide a WC-19 Wheelchair Tie-Down and Occupant Restraint System, otherwise called a Transit Option. To identify whether your wheelchair has been manufactured with the Transit Option installed, look for four points of securement. Two front points (A), and two rear points (B). These points are recognized by the securement point decal which can be found on or near the securement points. If your wheelchair is equipped with the Transit Option please review the Transit Securement supplement that was provided with the wheelchair for additional information and instructions. You can request a copy from your authorized supplier, or Sunrise Medical if you don't have it.



Look for this symbol on your wheelchair. It indicates wheelchair securement points which conform to ANSI/RESNA (1998) V.1 - Section 19 and/or ANSI/RESNA (2012) V.4 WC-19. For more Transit related information, see the "Transit Securement Supplement" included with your chair.

**⚠ WARNING**

If your chair is NOT equipped with the Transit Option:

1. NEVER let anyone sit in this chair while in a moving vehicle.
 - a. ALWAYS move the rider to an approved vehicle seat.
 - b. ALWAYS secure the rider with proper motor vehicle restraints.
3. In an accident or sudden stop the rider may be thrown from the chair. Wheelchair seat belts will not prevent this, and further injury may result from the belts or straps.
4. NEVER transport this chair in the front seat of a vehicle. It may shift and interfere with the driver.
5. ALWAYS secure this chair so that it cannot roll or shift.
6. Do not use any chair that has been involved in a motor vehicle accident. The frame and/or components may have been changed due to the accident. Such items could be, but are not limited to: bent, loosened, and/or broken components that were subjected to an impact.

Failure to heed these warnings puts you and others that may assist you at a high risk of injury.

M. WHEN YOU NEED HELP**⚠ WARNING**

For The Rider: Make sure that each person who helps you reads and follows all warnings and instructions that apply.

For Attendants:

1. Work with the rider's doctor, nurse or therapist to learn safe methods best suited to your abilities and those of the rider.
2. Tell the rider what you plan to do, and explain what you expect the rider to do. This will put the rider at ease and reduce the risk of an accident.
3. Make sure the chair has push handles. They provide secure points for you to hold the rear of the chair to prevent a fall or tip-over. Check to make sure push handle grips will not rotate or slip off.
4. To prevent injury to your back, use good posture and proper body mechanics. When you lift or support the rider or tilt the chair, bend your knees slightly and keep your back as upright and straight as you can.
5. Remind the rider to lean back when you tilt the chair backward.
6. When you descend a curb or single step, slowly lower the chair in one easy movement. Do not let the chair drop the last few inches to the ground. This may damage the chair or injure the rider.
7. To avoid tripping, unlock and rotate anti-tip tubes up, out of the way.
8. Whenever you aren't attending the wheelchair, ALWAYS use the wheel-lock to secure the rear wheels, and lock the anti-tip tubes in place.

If you fail to ask for help when in doubt, you run a high risk of a fall, tip-over or loss of control that may occur and cause severe injury to the rider or others.

A. CENTER OF BALANCE** WARNING**

The point where this chair will tip forward, back or to the side depends on its center of balance and stability. How your chair is set up, the options you select and the changes you make may affect the risk of a fall or tip-over.

1. The Most Important Adjustment Is: The position of the rear wheels.
The more you move the rear wheels forward, the more likely your chair will tip over backward.
2. The Center Of Balance Is Also Affected By:
 - a. A change in the set-up of your chair, including:
 - The distance between the rear wheels.
 - The amount of rear wheel camber.
 - The seat height and seat angle.
 - Backrest angle.
 - b. A change in your body position, posture or weight distribution.
 - c. Riding your chair on a ramp or slope.
 - d. A back pack or other options and the amount of added weight.
3. To Reduce The Risk Of An Accident:
 - a. Consult your doctor, nurse or therapist to find out what axle and caster position is best for you.
 - b. Consult your authorized supplier BEFORE you modify or adjust this chair. Be aware that you may need to make other changes to correct the center of balance.
 - c. Have someone help you until you know the balance points of your chair and how to avoid a tip-over.
 - d. Use anti-tip tubes.

If you fail to heed these warnings, you are at a high risk of a fall, tip-over or loss of control that could cause severe injury to the rider or others.

B. DRESSING OR CHANGING CLOTHES** WARNING**

Your weight may shift if you dress or change clothes while seated in this chair.

To reduce the risk of a fall or tip-over:

1. Rotate the front casters until they are as far forward as possible. This makes the chair more stable.
2. Lock anti-tip tubes in place. (If your chair does not have anti-tip tubes, back it up against a wall and lock both rear wheels).

If you fail to heed this warning, damage to your chair, a fall, tip-over or loss of control may occur and cause severe injury to the rider or others.

C. OBSTACLES** WARNING**

Riding over curbs or obstacles can cause tipping and serious bodily harm. If you have any doubt that you can safely cross any curb or obstacle, ALWAYS ASK FOR HELP. Be aware of your riding skills and personal limitations. Develop new skills only with the help of a companion.

To avoid the risk of traversing obstacles:

1. Keep a lookout for danger – scan the area well ahead of your chair as you ride.
2. Make sure the floor areas where you live and work are level and free of obstructions.
3. Remove or cover threshold strips between rooms.
4. Install a ramp at entry or exit doors. Make sure there is not a drop off at the bottom of the ramp.
5. To Help Correct Your Center Of Balance:
 - a. Lean your upper body FORWARD slightly as you go UP over an obstacle.
 - b. Press your upper body BACKWARD as you go DOWN from a higher to a lower level.
6. If your chair has anti-tip tubes, do not go over an obstacle without help.

7. Keep both of your hands on the handrims as you go over an obstacle.
8. Never push or pull on an object (such as furniture or a doorjamb) to propel your chair.

If you fail to heed these warnings, damage to your chair, a fall, tip-over or loss of control may occur and cause severe injury to the rider or others.

D. FRONT CASTER LIFT** WARNING**

Front caster lift can occur when the front wheels, ordinarily in contact with the ground, are either intentionally, or unintentionally caused to lift from the ground while the rear wheels remain in contact. Pitch control (partial or full) should NEVER be attempted without consulting your healthcare advisor and making sure that anti-tips are installed.

If you fail to heed this warning, you are at a high risk of damage to your chair, a fall, tip-over or loss of control that may occur and cause severe injury to the rider or others.

E. REACHING OR LEANING** WARNING**

If you reach or lean it will affect the center of balance of your chair. This may cause you to fall or tip over. When in doubt, ask for help or use a device to extend your reach.

1. NEVER reach or lean if you must shift your weight sideways or rise up off the seat.
2. NEVER reach or lean if you must move forward in your seat to do so. Always keep your buttocks in contact with the backrest.
3. NEVER reach with both hands (you may not be able to catch yourself to prevent a fall if the chair tips).
4. NEVER reach or lean to the rear unless your chair has anti-tip tubes locked in place.
5. DO NOT reach or lean over the top of the seat back. This may damage one or both backrest tubes and cause you to fall.
6. If You Must Reach Or Lean:
 - a. Do not lock the rear wheels. This creates a tip point and makes a fall or tip-over more likely.
 - b. Do not put pressure on the footrests.
 - c. Move your chair as close as you can to the object you wish to reach.
 - d. Do not try to pick up an object from the floor by reaching down between your knees. You are less likely to tip if you reach to the side of your chair.
 - e. Rotate the front casters until they are as far forward as possible. This makes the chair more stable.
 - f. Firmly grasp a rear wheel or an armrest with one hand. This will help to prevent a fall if the chair tips.

If you fail to heed these warnings damage to your chair, a fall, tip-over or loss of control may occur and cause severe injury to the rider or others.

F. MOVING BACKWARD** WARNING**

Use extra care when you move your chair backward. Your chair is most stable when you propel yourself forward. You may lose control or tip over if one of the rear wheels hits an object and stops rolling.

1. Propel your chair slowly and smoothly.
2. If your chair has anti-tip tubes, make sure to lock them in place.
3. Stop often and check to be sure your path is clear.

If you fail to heed this warning, you are at a high risk of damage to your chair, a fall, tip-over or loss of control that may occur and cause severe injury to the rider or others.

G. ESCALATORS

⚠ WARNING

NEVER use this chair on an escalator, even with an attendant. If you do, a fall or tip-over is likely. If you fail to heed this warning you and others that may be assisting you, are at a high risk of severe injury.

H. RAMPS, SLOPES & SIDEHILLS 3 4 5 6

⚠ WARNING

Whenever possible, avoid riding on a slope, which includes a ramp or sidehill. This will change the center of balance of your chair. Your chair is less stable and more difficult to maneuver when it is at an angle. When moving up a hill, anti-tip tubes may not prevent a fall or tip-over.

1. DO NOT use your chair on a slope steeper than 10%. (A 10% slope means: one foot in elevation for every ten feet of slope length.)
2. ALWAYS go as straight up and as straight down as you can. (Do not "cut the corner" on a slope or ramp.)
3. DO NOT turn or change direction on a slope.
4. When you have to use a ramp, always stay in the CENTER of the ramp. Make sure ramp is wide enough that you have no risk of going off the edge.
5. DO NOT stop on a steep slope. If you stop, you may lose control of your chair.
6. NEVER use rear wheel locks to try to slow or stop your chair. This is likely to cause your chair to veer out of control.
7. ALWAYS be aware of:
 - a. Wet or slippery surfaces.
 - b. A change in grade on a slope (or a lip, bump or depression). These may cause a fall or tip-over.
 - c. A drop-off at the bottom of a slope or ramp. A drop-off as small as 3/4 inch can stop a front caster and cause the chair to tip forward.
8. To Reduce The Risk Of A Fall Or Tip-Over:
 - a. Lean or press your body UPHILL. This will help adjust for the change in the center of balance caused by the slope or sidehill.
 - b. Keep pressure on the handrims to control your speed on a down slope. If you go too fast you may lose control.
 - c. ASK FOR HELP any time you are in doubt.
9. Ramps At Home & Work- For your safety, ramps at home and work must meet all legal requirements for your area:
 - a. AVOID A DROP-OFF. You may need a section at the top or bottom to smooth out the transition.
 - b. ALWAYS stay in the center of the ramp and control your speed.

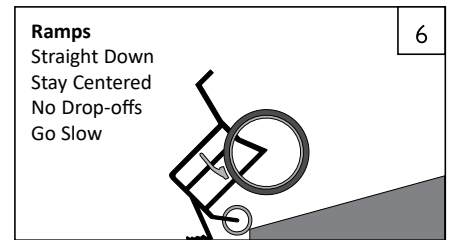
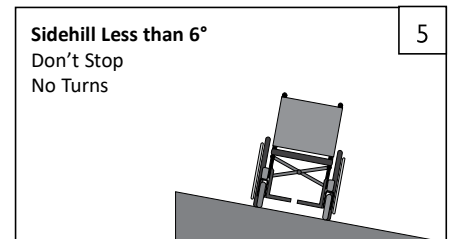
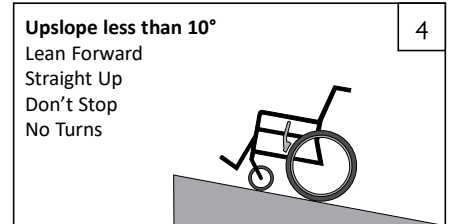
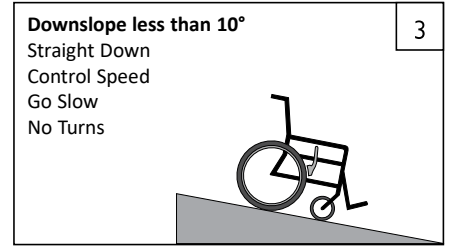
If you fail to heed these warnings damage to your chair, a fall, tip-over or loss of control may occur and can possibly cause severe injury to the rider or others.

I. TRANSFERS

⚠ WARNING

It is dangerous to transfer on your own. It requires good balance and agility. Be aware that there is a point during every transfer when the wheelchair seat is not below you. To avoid a fall:

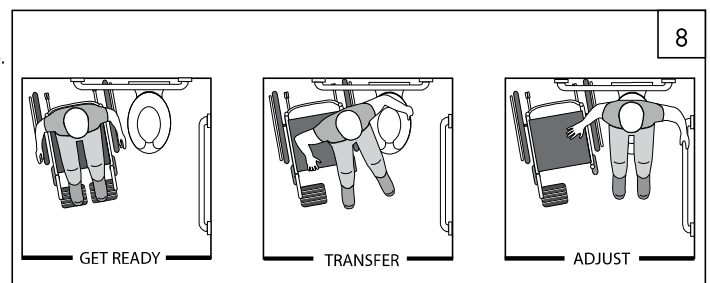
1. Work with your health care advisor to learn safe methods for transfers.
 - a. Learn how to position your body and how to support yourself during a transfer.
 - b. Have someone help you until you learn safe transfer methods.
2. Lock the rear wheels before you transfer.
3. Be aware that the chair can still slide and/or tip. The wheel lock keeps the rear wheels from rolling while you are performing the transfer.
4. Make sure that the pneumatic tires are properly inflated. Low tire pressure may allow the rear wheel locks to slip. (see table in Section G "Pneumatic Tires")
5. Move your chair as close as you can to the seat you are transferring to. If possible, use a transfer board.
6. Rotate the front casters until they are as far forward as possible.
7. If you can, remove the footrests, or swing them out of the way.
 - a. Make sure your feet do not catch in the space between the foot rests.
 - b. Avoid putting weight on the footrests as this may cause the chair to tip.
8. Make sure armrests are removed, or out of the way, and do not interfere with the transfer.
9. Transfer as far back onto the seat surface as you can. This will reduce the risk that the chair will tip or move away from you.



Optimum Transfer position



Before transferring, remove the armrests, and footrests, and make sure the wheel lock is set.



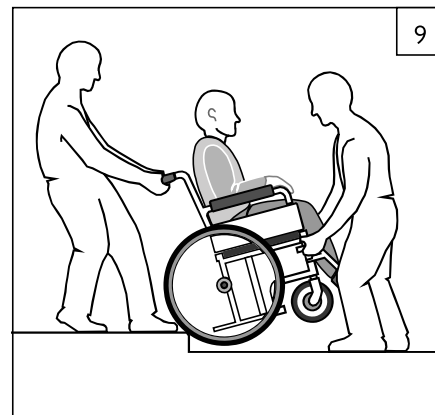
J. CURBS & SINGLE STEPS**⚠ WARNING**

Before riding over curbs, and negotiating even a single step, ALWAYS ask for assistance first. Curbs and steps can cause tipping and serious bodily harm. When in doubt as to your ability to avoid, or traverse any obstacle, always ask for help. Be aware of your riding skills and personal limitations. Develop new skills only with the help of a companion.

For Attendant: Each person who assists the rider with curbs and steps should read and follow all instructions and warnings pertaining to attendants, and caregivers.

1. Do not try to climb a high curb or step (more than 4 inches high) UNLESS you have help. Doing so may cause your chair to exceed its balance point and tip over.
2. Go straight up and straight down a curb or step. If you climb or descend at an angle, a fall or tip-over is likely.
3. Be aware that the impact of dropping down from a curb or step can damage your chair or loosen fasteners.

If you fail to heed these warnings damage to your chair, a fall, tip-over or loss of control may occur and can possibly cause severe injury to the rider or others.

**K. CLIMBING A CURB OR SINGLE STEP****⚠ WARNING**

For Attendant: follow these steps to help the rider climb a curb or single step going FORWARD:

1. Stay behind the chair.
2. Face the curb and tilt the chair up on the rear wheels so that the front casters clear the curb or step.
3. Move forward, placing the front casters on the upper level as soon as you are sure they are past the edge.
4. Continue forward until the rear wheels contact the face of the curb or step. Lift and roll the rear wheels to the upper level.

If you fail to heed these warnings damage to your chair, a fall, tip-over or loss of control may occur and cause severe injury to the rider or others.

L. DESCENDING A CURB OR SINGLE STEP**⚠ WARNING**

For Attendant:: Follow these steps to help a rider descend a curb or single step going BACKWARD:

1. Stay at the rear of the chair.
2. Several feet before you reach the edge of the curb or step, tip the chair slightly and pull it backward.
3. While looking over your shoulder, carefully step back until you are off the curb or stair and standing on the lower level.
4. Pull the chair toward you until the rear wheels reach the edge of the curb or step. Then allow the rear wheels to slowly roll down onto the lower level.
5. When the rear wheels are safely on the lower level, tilt the chair back to its balance point. This will lift the front casters off the curb or step.
6. Keep the chair in balance and take small steps backward. Turn the chair around and gently lower front casters to the ground.

If you fail to heed these warnings damage to your chair, a fall, tip-over or loss of control may occur and cause severe injury to the rider or others.

M. STAIRS**⚠ WARNING**

1. NEVER use this chair on stairs UNLESS you have someone to help you. Doing so is likely to cause a fall or tip-over.
2. Negotiating stairs with a wheelchair always requires at least 2 attendants for safety.

If you fail to heed these warnings damage to your chair, a fall, tip-over or loss of control may occur and cause severe injury to the rider or others.

N. CLIMBING STAIRS**⚠ WARNING**

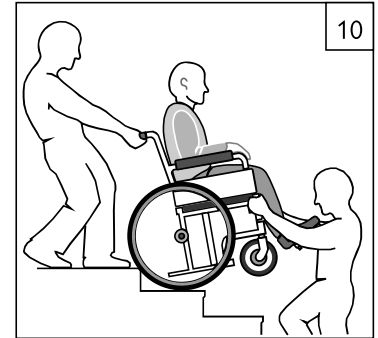
1. Use at least two attendants to move a chair and rider up stairs.
2. Move the chair and rider BACKWARD up the stairs.
3. The person at the rear is in control. He or she tilts the chair back to its balance point.
4. A second attendant at the front firmly grasps a non-detachable part of the front frame and lifts the chair up and over one stair at a time.
5. The attendants move to the next stair up. Repeat for each stair, until you reach the landing.

If you fail to heed these warnings damage to your chair, a fall, tip-over or loss of control may occur and cause severe injury to the rider or others.

O. DESCENDING STAIRS**⚠ WARNING**

1. Use at least two attendants to move a chair and rider down stairs.
2. Move the chair and rider FORWARD down the stairs.
3. The person at the rear is in control. He or she tilts the chair to the balance point of the rear wheels and rolls it to the edge of the top step.
4. A second attendant stands on the third step from the top and grasps the chair frame. He or she lowers the chair one step at a time by letting the rear wheels roll over the stair edge.
5. The attendants move to the next stair down. Repeat for each stair, until you reach the landing.

If you fail to heed these warnings damage to your chair, a fall, tip-over or loss of control may occur and cause severe injury to the rider or others.



A. ANTI-TIP TUBES**⚠ WARNING**

Anti-tip tubes can help keep your chair from tipping over backward in normal conditions.

1. Sunrise recommends the use of anti-tip tubes:
2. When locked in place (in the “down” position) anti-tip tubes should be BETWEEN 1 1/2 to 2 inches off the ground.
 - a. If set higher than 2 inches, they may not prevent a tip-over.
 - b. If set lower than 2 inches, they may “hang up” on obstacles and cause a fall or tip over.
3. If you have to climb or descend a curb, or overcome an obstacle it may be necessary to have an attendant make sure the anti-tip tubes are rotated up, and out of the way, so that the chair and rider do not get stuck and/or become unstable.

If you fail to heed these warnings damage to your chair, a fall, tip-over or loss of control may occur and cause severe injury to the rider or others.

B. ARMRESTS**⚠ WARNING**

Armrests detach and will not bear the weight of this chair.

1. NEVER lift this chair by its armrests. They may come loose or break.
2. Lift this chair only by non-detachable parts of the main frame.

If you fail to heed these warnings damage to your chair, a fall, tip-over or loss of control may occur and cause severe injury to the rider or others.

C. CUSHIONS & SLING SEATS**⚠ WARNING**

1. Quickie sling seats and standard foam cushions are not designed for the relief of pressure.
2. If you suffer from pressure sores or if you are at risk that they will occur, you may need a special seat system or a device to control your posture. Consult your doctor, nurse or therapist to find out if you need such a device for your well-being.
3. Seat slings are not intended to be used as a direct seating surface. A cushion or other seating surface should be placed on the sling before use.

If you fail to heed these warnings damage to your chair, a fall, tip-over or loss of control may occur and cause severe injury to the rider or others.

D. FASTENERS**⚠ WARNING**

Many of the screws, bolts and nuts on this chair are special high-strength fasteners. Use of improper fasteners may cause your chair to fail.

1. ONLY use fasteners provided by an authorized supplier (or ones of the same type and strength, as indicated by the markings on the heads).
2. Over- or under-tightened fasteners may fail or cause damage to chair parts.
3. If bolts or screws become loose, tighten them as soon as you can.

If you fail to heed these warnings damage to your chair, a fall, tip-over or loss of control may occur and cause severe injury to the rider or others.

E. OFFSET SEATING (OPTIONAL)**⚠ WARNING**

1. A fore/aft change in the backrest position will affect the center of balance of your chair.
2. Only use this option when installing a forward offset mounted seating solution, not using the standard back sling.
3. Each time you adjust or modify the backrest plane location, the change may make it easier to tip backwards. Use anti-tips until you adapt to the change, and are sure you are not at risk to tip over.

If you fail to heed these warnings damage to your chair, a fall, tip-over or loss of control may occur and cause severe injury to the rider or others.

F. FOOTRESTS**⚠ WARNING**

1. At the lowest point, footrests should be AT LEAST 2 inches off the ground. If set too LOW, they may “hang up” on obstacles you can expect to find in normal use. This may cause the chair to stop suddenly and tip forward.
2. To Avoid A Trip Or Fall When You Transfer:
 - a. Make sure your feet do not “hang up” or get caught in the space between the footrests.
 - b. Avoid putting weight on the footrests, as the chair may tip forward.
 - c. Footrests should be swung out of the way or removed whenever entering or exiting the wheelchair.
3. NEVER lift this chair by the footrests. Footrests detach and will not bear the weight of this chair. Lift this chair only by non-detachable parts of the main frame.
4. Never use the footrests of the chair to open doors, this may cause them to fail prematurely, and create an unsafe situation.

If you fail to heed these warnings damage to your chair, a fall, tip-over or loss of control may occur and cause severe injury to the rider or others.

G. PNEUMATIC TIRES**⚠ WARNING**

Proper inflation extends the life of your tires and makes your chair easier to use.

1. Do not use this chair if any of the tires are under- or over-inflated. Check weekly for proper inflation level, as listed on the tire sidewall.
2. Low pressure in a rear tire may cause the wheel lock on that side to slip and allow the wheel to turn when you do not expect it.
3. Low pressure in any of the tires may cause the chair to veer to one side and result in a loss of control.
4. Over-inflated tires may burst.

If you fail to heed these warnings damage to your chair, a fall, tip-over or loss of control may occur and cause severe injury to the rider or others.

Recommended Tire Pressures

Tires	Quickie QRI	Recommended Pressure or Pressure Range	
		kPa	PSI
Pneumatic (22-in)	x	448	65
Pneumatic (24-in)	x	517	75
Pneumatic (26-in)	x	448	65
High Pressure Clincher (22-in)	x	690	100
High Pressure Clincher (24-in)	x	758	110
High Pressure Clincher (25-in)	x	758	110
High Pressure Clincher (26-in)	x	758	110
Knobby V-Track (24-in)	x	448	65
Schwalbe Marathon (24-in)	x	586-1000	85-145
Schwalbe Marathon (25-in)	x	586-1000	85-145
Schwalbe Marathon (26-in)	x	586-1000	85-145

H. POSITIONING BELTS (Optional)**⚠ WARNING**

Use positioning belts ONLY to help support the rider's posture. Improper use of these belts may cause severe injury to or death to the rider.

1. Make sure the rider does not slide down in the wheelchair seat. If this occurs, the rider may suffer chest compression or suffocate due to pressure from the belts.
2. The belts must be snug, but must not be so tight that they interfere with breathing. You should be able to slide your open hand, flat, between the belt and the rider.
3. A pelvic wedge or a similar device can help keep the rider from sliding down in the seat. Consult with the rider's doctor, nurse or therapist to find out if the rider needs such a device.
4. Use positioning belts only with a rider who can cooperate. Make sure the rider can easily remove the belts in an emergency.
5. NEVER Use Positioning Belts:
 - a. As a patient restraint. A restraint requires a doctor's order.
 - b. On a rider who is comatose or agitated.
 - c. As a motor vehicle restraint. In an accident or sudden stop the rider may be thrown from the chair. Wheelchair seat belts will not prevent this, and further injury may result from the belts or straps.

If you fail to heed these warnings damage to your chair, a fall, tip-over or loss of control may occur and cause severe injury to the rider or others.

I. PUSH HANDLES (Optional)**⚠ WARNING**

When you have an attendant, make sure that this chair has push handles.

1. Push handles provide secure points for an attendant to hold the rear of this chair, to prevent a fall or tip-over.
2. Check to make sure push handle grips will not rotate or slip off.

If you fail to heed these warnings damage to your chair, a fall, tip-over or loss of control may occur and cause severe injury to the rider or others.

J. QUICK-RELEASE AXLES**⚠ WARNING**

1. Do not use this chair UNLESS you are sure that both quick-release rear axles are locked.
2. An axle is not locked until the quick-release button pops out fully.
3. An unlocked axle may come off during use, resulting in a fall, tip-over or loss of control and cause severe injury to the rider or others.
 - Quick-Release Axles should be periodically cleaned and inspected for function and signs of wear or bending. Replace as necessary.

If you fail to heed these warnings damage to your chair, a fall, tip-over or loss of control may occur and cause severe injury to the rider or others.

K. REAR WHEELS**⚠ WARNING**

A change in set-up of the rear wheels will affect the center of balance of your chair.

1. The farther you move the rear axles FORWARD, the more likely it is that your chair will tip over backward.
2. Consult your healthcare advisor to find the best rear axle set-up for your chair. Do not change the set-up UNLESS you consult your healthcare advisor first.
3. Adjust the rear wheel locks after you make any change to the rear axles.
 - a. If you fail to do so, the wheel locks may not work.
 - b. Make sure lock arms embed in the tires at least 1/8 inch when locked.

If you fail to heed these warnings damage to your chair, a fall, tip-over or loss of control may occur and cause severe injury to the rider or others.

L. REAR WHEEL LOCKS**⚠ WARNING**

Rear wheel locks are NOT designed to slow or stop a moving wheelchair. Use them only to keep the rear wheels from rolling when your chair is at a complete stop.

1. NEVER use rear wheel locks to try to slow or stop your chair when it is moving. Doing so may cause a fall or tip-over
2. To keep the rear wheels from rolling, always set both rear wheel locks when you transfer to or from your chair.
3. Low pressure in a rear tire may cause the wheel lock on that side to slip and may allow the wheel to turn when you do not expect it.
4. Make sure lock arms embed in tires at least 1/8 inch when locked. If you fail to do so, the locks may not work.

If you fail to heed these warnings damage to your chair, a fall, tip-over or loss of control may occur and cause severe injury to the rider or others.

M. MODIFIED SEAT SYSTEMS**⚠ WARNING**

Use of a seat system not approved by Sunrise may alter the center of balance of this chair. This may cause the chair to tip over.

1. Do not change the seat system of your chair UNLESS you consult your authorized supplier first.
2. Use of a seating system not approved by Sunrise may affect the folding mechanism of this chair.
3. Use of a seating system not provided by Sunrise is prohibited for transit use.

If you fail to heed these warnings damage to your chair, a fall, tip-over or loss of control may occur and cause severe injury to the rider or others.

N. SEAT AND BACK UPHOLSTERY**⚠ WARNING**

1. Replace worn or torn fabric of seat and seat back as soon as you can. If you fail to do so, the seat or seat back may fail.
2. Sling fabric will weaken with age and use. Look for fraying, thin spots, or stretching of fabrics especially at edges and seams.
3. "Dropping down" into your chair will weaken fabric and result in the need to inspect and replace the seat more often.
4. Be aware that laundering or excess moisture will reduce the flame retardation qualities of the fabric.
5. If Tension Adjustable upholstery is present, loosen straps or remove upholstery prior to folding or unfolding the chair.

If you fail to heed these warnings damage to your chair, a fall, tip-over or loss of control may occur and cause severe injury to the rider or others.

O. SEAT BACK**⚠ WARNING**

Adjusting the seat back depth could cause the strut tube to be located in a position where it could contact the user and cause skin breakdown or other serious injuries.

If you fail to heed these warnings damage to your chair, a fall, tip-over or loss of control may occur and cause severe injury to the rider or others.

⚠ WARNING

THE OWNER OF THIS CHAIR IS RESPONSIBLE FOR MAKING SURE THAT IT HAS BEEN SET UP AND ADJUSTED BY A TRAINED SERVICE PROFESSIONAL UNDER THE ADVICE OF A HEALTHCARE PROFESSIONAL. THE CHAIR MAY REQUIRE PERIODIC SAFETY AND FUNCTION CHECKS OR CERTAIN IN-USE ADJUSTMENTS THAT CAN BE PERFORMED BY THE OWNER, CAREGIVER OR AUTHORIZED DEALER IF DESIRED. ALWAYS USE PARTS AND/OR ACCESSORIES THAT HAVE BEEN RECOMMENDED OR APPROVED BY SUNRISE MEDICAL WHEN SERVICING THIS CHAIR.

A. INTRODUCTION

1. Proper maintenance will improve performance and extend the useful life of your chair.
2. Clean your chair regularly. This will help you find loose or worn parts and make your chair easier to use. You will need a mild detergent solution and plenty of cleaning rags.
3. If discovered, have loose, worn, bent or damaged parts replaced **before using the chair.**
4. To protect your investment, have all major maintenance and repair work done by your authorized dealer.
5. **Inspect and maintain this chair strictly per the safety checklist.**
6. **If you detect a problem, make sure to order parts, or have service, and repair work done at your authorized dealer before use.**
7. **At least once per year, have a complete inspection, safety check, and service of your chair made by an authorized dealer.**

B. CRITICAL MAINTENANCE TIPS

1. Tire Air Pressure:

Check air pressure in pneumatic tires at least **ONCE PER WEEK.** The wheel locks will not grip properly if you fail to maintain the air pressure shown on tire sidewall.

2. Axles & Axle Sleeves:

When checking axles and axle sleeves every six months, make sure they are clean and tight. Loose sleeves will damage the axle plate and will affect performance.

C. CLEANING

1. Paint Finish

- a. Clean the painted surfaces with mild soap or detergent at least once a month.
- b. Protect the paint with a coat of non-abrasive auto wax every three months.

2. Axles and Moving Parts

- a. Clean around axles and moving parts WEEKLY with a slightly damp (not wet) cloth.
- b. Wipe off or blow away any fluff, dust or dirt on axles or moving parts.

3. Upholstery

- a. Hand-wash (machine washing may damage fabric).
- b. Drip-dry only. DO NOT machine dry as heat will damage fabric.

4. Basic Maintenance Materials available at local store

- a. Tire pump
- b. Tire pressure gauge
- c. Clean rags or cotton cloth.
- d. Teflon-based lubricant
- e. Mild detergent.

NOTE – You do not need to grease or oil the chair.

D. SAFETY CHECKLIST

Weekly	3 Months	6 Months	Annually	Safety & Function Check
<input checked="" type="checkbox"/>				Tire inflation level
<input checked="" type="checkbox"/>				Wheel locks
	<input checked="" type="checkbox"/>			Visually check for loose hardware
		<input checked="" type="checkbox"/>		Armrests
		<input checked="" type="checkbox"/>		Axle and axle sleeves
	<input checked="" type="checkbox"/>			Quick-release axles
	<input checked="" type="checkbox"/>			Wheels, tires and spokes
	<input checked="" type="checkbox"/>			Casters
	<input checked="" type="checkbox"/>			Anti-tip tubes
		<input checked="" type="checkbox"/>		Frame and Crossbrace
	<input checked="" type="checkbox"/>			Upholstery
			<input checked="" type="checkbox"/>	Service by Authorized Dealer

NOTE - The user or caregiver should perform these weekly and monthly checks to maintain the safety of their chair. If an item is not working properly, please contact your authorized dealer.

E. TROUBLESHOOTING CHART

Symptom	Solution					
	Left turn in chair	Right turn in chair	Looseness in chair	Sluggish turning	Squeaks and rattles	Caster flutter
<input checked="" type="checkbox"/>	<input checked="" type="checkbox"/>	<input checked="" type="checkbox"/>	<input checked="" type="checkbox"/>			Make sure tire pressure is correct and equal in both rear tires and front caster tires, if pneumatic.
		<input checked="" type="checkbox"/>	<input checked="" type="checkbox"/>	<input checked="" type="checkbox"/>	<input checked="" type="checkbox"/>	Make sure all nuts and bolts are tight.
		<input checked="" type="checkbox"/>		<input checked="" type="checkbox"/>		Make sure all spokes and nipples are tight on radial spoke wheels.
				<input checked="" type="checkbox"/>		Use Tri-Flow Lubricant (Teflon®-based) between frame connections and parts.
<input checked="" type="checkbox"/>	<input checked="" type="checkbox"/>		<input checked="" type="checkbox"/>		<input checked="" type="checkbox"/>	Check for proper caster fork adjustment. See instructions for caster fork adjustment.

F. TO MOUNT & REMOVE REAR WHEELS 11 12**⚠ WARNING**

Do not use this chair UNLESS you are sure both quick-release axles are locked. An unlocked axle may come off during use and cause a fall.

NOTE– Setting the wheelchair on a flat surface, such as a workbench or table, helps make these procedures easier.

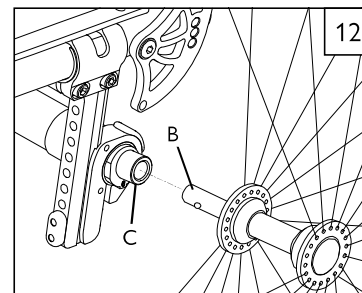
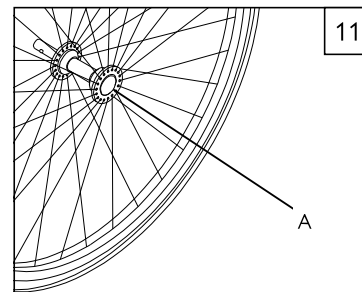
1. To Install Wheel

- Depress quick-release button (A) fully.
- Insert axle (B) through hub of rear wheel.
- Keep button (A) depressed as you slide axle (B) into camber plug (C).
- Release button to lock axle in camber plug. Adjust axle if it does not lock. See Section B.
- Repeat steps on other side.

2. To Remove Wheel

- Depress quick-release button (A) fully.
- Remove wheel by sliding axle (B) completely out of camber plug (C).
- Repeat steps on other side.

NOTE– The axle is not locked until the quick-release button pops out fully (A). Check that the axle is locked by pulling on the wheel in the direction of the axle.

**G. WHEEL LOCKS****⚠ WARNING**

Wheel locks are installed at Sunrise and should be adjusted by your qualified service person.

Inspect wheel locks weekly per the maintenance chart. Do not use your chair UNLESS you are sure both wheel-locks can fully engage. A wheel-lock that is not correctly adjusted may allow your chair to roll, or turn unexpectedly.

Wheel-locks must be adjusted after making sure the tires have the correct air pressure. When fully engaged, the arm should be imbedded into the tire at least 1/8" to be effective.

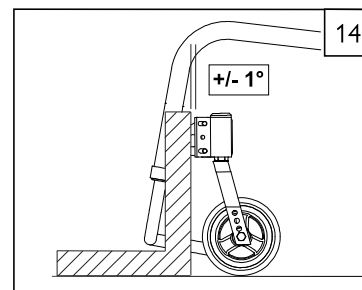
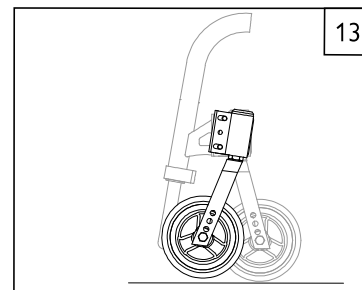
If you find the wheel locks have slipped or are not working correctly contact your service provider for proper adjustment.

H. CASTERS 13 14

NOTE– Setting the wheelchair on a very flat table or a workbench makes this setting more accurate.

1. Checking for Caster Squareness

Your Quickie wheelchair leaves the factory with the casters adjusted square. Any time you change your wheelchair rear axle height, rear tire size, center of gravity position or camber tube, you should check that the casters are still square. A caster that is not square will result in the caster lifting off the floor as it rotates around the stem bolt and may also lift the front of the wheelchair up and down. Check for squareness by placing your wheelchair on a flat, horizontal surface. Rotate both forks so that the casters are towards the rear of the wheelchair. Place a square or pocket level against the flat surface on the rear of the fork and note whether this surface is vertical (square). If this surface is more than 1 degree away from vertical, your casters require re-squaring by your service professional.



I. ANTI-TIPS (Option) 15 16

Sunrise Medical recommends anti-tip tubes for all wheelchairs.

1. Inserting Anti-tip Tubes Into Receiver

- Press the rear anti-tip release button (A) on the anti-tip tube so that both release pins are drawn inside.
- Insert the anti-tip tube (B) into the anti-tip receiver (C).
- Turn the anti-tip tube down until release pin is through the receiver mounting hole.
- Insert second anti-tip tube the same way.

2. Adjusting Anti-Tip Tube Wheel

The anti-tip wheels may have to be raised or lowered to achieve proper clearance of 1 1/2" to 2".

Press the anti-tip wheel release button (D) so that both release pins are drawn inside. Raise or lower to one of the three predrilled holes (E). Release button. Adjust the second anti-tip tube wheel the same way. Both wheels should be the same height.

3. Turning Anti-Tip Tubes Up

Turn anti-tip tubes up when being pushed by attendant, overcoming obstacles or climbing curbs. Press the rear anti-tip tube release button (A). Hold lever in and turn anti-tip tube up. Release the lever and repeat with second anti-tip tube. Remember to return anti-tip tubes to down position after completing maneuver.

J. ARMRESTS 17

Sunrise medical offers several different types of armrests. Fixed, swing-away, and Flip-back armrests. Swing-away armrests can be detached or can swing away to allow lateral transfers. They are height adjustable (1" increments) by squeezing the adjustment trigger and moving (A) up or down to the desired height.

1. Basic Installation

- Slide the outer armrest into the receiver mounted to the wheelchair frame.
- The armrest will automatically lock into place.

2. Height Adjustment

- Release the upper securing lever.
- Slide armrest pad up or down to desired height.
- Return lever to locked position.

3. Flipping Armrest Back and Removing Armrest

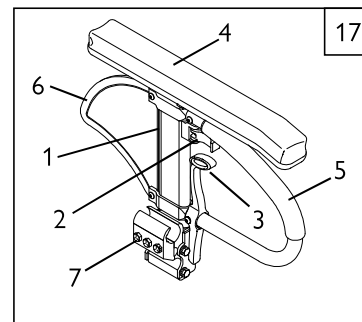
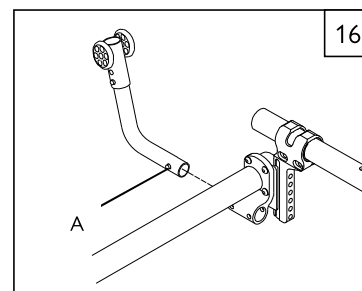
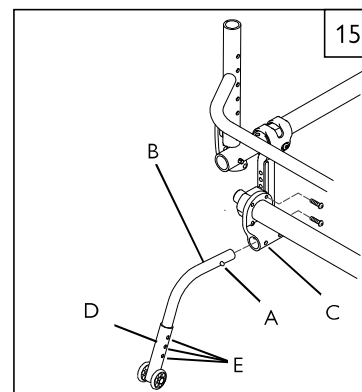
- Depress the release latch and pull arm toward back of wheelchair.
- To remove, pull up on armrest. Pin securing armrest will automatically release.
- To return armrest to operating position, push armrest down until it locks firmly into place.

4. Replacing Armrest

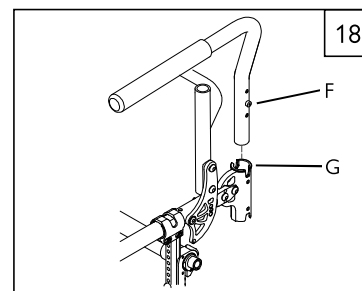
- Slide armrest back into receiver.
- Return release lever (3) to locked position against armrest.

K. PADDED SWING-AWAY ARMRESTS (Option) 18

Swing-away armrests can be detached or can swing away to allow lateral transfers. Swing-away, removable armrests (F) are installed by sliding armrest into receiver (G) located on the back frame.



- Outer armrest
- Height release lever
- Release lever
- Armrest pad
- Transfer bar
- Side panel
- Receiver and clamp



L. CUSHION INSTALLATION (Option)

Place cushion on seat sling with VELCRO® side down. The beveled edge of the cushion should be in front. Press firmly into place.

M. BACK ANGLE ADJUSTMENT 19 20**1. Adjusting the Back Angle**

- Release the backrest by pulling the release cord (A) with a simple, short force.
- While maintaining tension on the release cord, rotate the backrest (D) to the desired angle or to the folded down position.
- Lock the backrest in place by releasing the cord and allowing the pins (B) to engage in the nearest hole (E) of the backrest bracket (C).

CAUTION– Be sure the pins (B) are fully engaged through the backrest bracket (C) on both sides of the chair. Test the backrest to be sure it is locked before use.

CAUTION – When changing the back angle of the wheelchair both the left and right angle adjustable back bracket must be in the same hole position before the wheelchair is to be used.

N. BACKREST TENSION ADJUSTABLE 21 22 23 24**1. To install the Backrest Tension Adjustable**

- Slide Velcro® straps (F) over the backrest frame (G) section. Make sure to include at least one strap below the towel bar (if using a rigid chair).
- Tighten the straps appropriately to desired tension level. DO NOT over tighten straps as this will cause undue strain upon the chair backrest frame (G).
- If using fold down push handles, insert the single Velcro® strap (F) through the slots in the front of the push handles (I). If using integral push handles (J), slide straps from bottom of backrest upward.
- Install backrest cover at desired level and fold over rear of Velcro® strapping system (K). The Quickie patch should be upright on the rear of the chair.
- Finish installation by placing vanity flap (center panel) down onto Velcro® on the seat sling to secure attachment (L).

2. Adjusting the Backrest Tension Adjustable

Always use anti-tips while making any adjustments. Ensure anti-tips are safely secured and in a position to prevent the wheelchair from tipping backwards.

- User can transfer into wheelchair. Place wheel locks in the locked position.
- From the rear of the wheelchair the attendant can lift the Vanity Flap (center panel) to access the strap system. Adjust straps for optimal balance and trunk alignment. Ensure the Velcro® straps have a minimum of 2 inches (5cm) of engagement. Hook the Velcro® after securing it through each loop. Press the Velcro® together to ensure it is securely engaged.
- Once adjustments are complete replace Vanity Flap to its original position.

⚠ WARNING

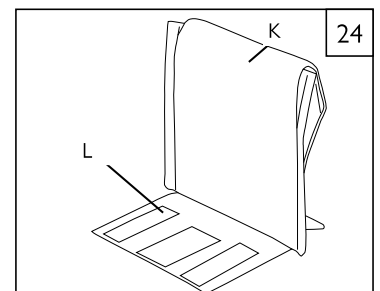
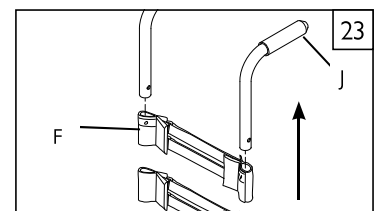
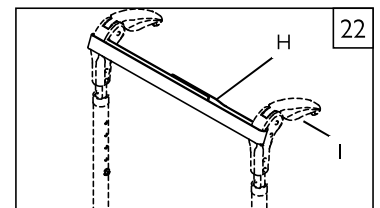
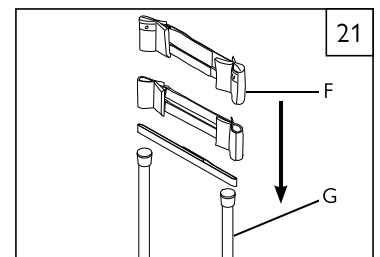
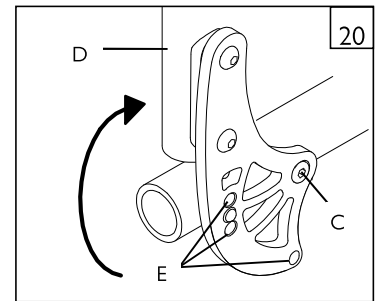
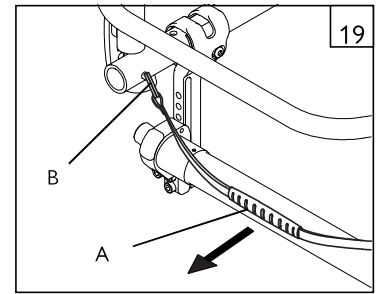
Any changes made to the straps will affect the center of gravity. It is best to have the attendant stationed behind the wheelchair to prevent the wheelchair from tipping backwards while the user becomes accustomed to the adjustment.

O. CHECK-OUT

After the wheelchair is assembled and adjusted, it should roll smoothly and easily. All accessories should also perform smoothly. If you have any problems, follow these procedures:

- Review assembly and adjustment sections to make sure chair was properly prepared.
- Review trouble shooting guide.
- If your problem persists, contact your authorized supplier. If you still have a problem after contacting your authorized supplier, contact Sunrise customer service. See the introduction page for details on how to contact your authorized supplier or Sunrise customer service.

You will need to adjust your chair from time to time for best performance (especially if you alter the original settings). This chart gives you a first solution, then a second and a third if needed. You may need to look farther to find the best solution for a specific problem.



WARNING

THE OWNER OF THIS CHAIR IS RESPONSIBLE FOR MAKING SURE THAT IT HAS BEEN SETUP AND ADJUSTED BY A TRAINED SERVICE PROFESSIONAL UNDER THE ADVICE OF A HEALTHCARE ADVISOR. SERVICE AND/OR ADJUSTMENTS SHOULD ONLY BE DONE WITH THE ADVICE OF A HEALTHCARE PROFESSIONAL. ALWAYS USE PARTS AND/OR ACCESSORIES THAT HAVE BEEN RECOMMENDED AND APPROVED BY SUNRISE MEDICAL WHEN SERVICING THIS CHAIR.

A. DEALER SERVICE INTRODUCTION

1. At least once per year, this chair should have a complete inspection, safety check, and regular service made by an authorized dealer.
2. Torque settings— A torque setting is the optimum tightening which should be made on a particular fastener. It is important to use proper torque settings where specified. When not specified, torque settings should be 60 in-lbs
3. If you have discovered a worn, bent, or damaged part, repair or replace them with recommended parts before returning this chair to service..
4. All major maintenance and repair work should be done by the authorized dealer.

B. CRITICAL MAINTENANCE TIPS

1. Torque settings:

A torque setting is the optimum tightening which should be made on a particular fastener. It is important to use proper torque settings where specified. When not specified, torque settings should be 60 in-lbs

2. Dealer Service and Adjustment Reference materials:

Go to www.SunriseMedical.com for parts manuals, instruction sheets, and instructional videos that will aid in the repair of the Quickie Family of wheelchairs.

C. CLEANING

1. Paint Finish

- a. Clean the painted surfaces with mild soap or detergent.
- b. Protect the paint with a coat of non-abrasive auto wax.

2. Axles and Moving Parts

- a. Clean around axles and moving parts with a slightly damp (not wet) cloth.
- b. Wipe off or blow away any fluff, dust or dirt on axles or moving parts.
- c. DO NOT USE 3 in 1 oil, or WD-40 ® for lubrication. Only use Teflon based Lubricant when working on this wheelchair.

D. REAR WHEEL AXLE NUT ADJUSTMENT 25 26

The rear wheel axle (B) attaches the rear wheel (D) to the camber plug (C). When the detent balls (E) engage into the camber plug the rear wheel effectively becomes locked onto the chair. Pushing the quick-release button (A) disengages the detent balls and allows removal of the axle and wheel assembly.

To adjust the axle you will need a 3/4" wrench to turn the adjustment nut (F). You will also need a 1/2" wrench to securely hold the ball detent end of the axle to prevent it from turning.

If the wheel and axle will not lock into the camber plug then the axle requires adjustment. Turn the nut counter-clockwise approximately 1/4 revolution and try to lock the axle into the camber plug. If it doesn't lock, continue making small nut adjustments until it securely locks.

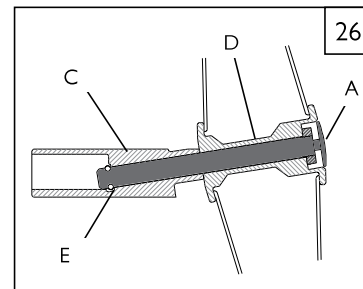
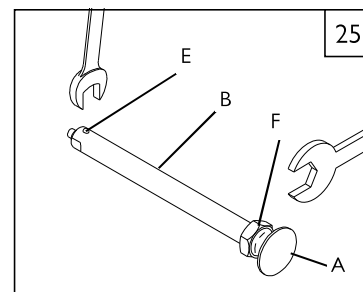
If the wheel is locked on the chair but there is excessive wheel play (the wheel hub can be pushed back and forth on the axle) then adjust the nut clockwise until there is no perceptible gap between the wheel and camber tube and the axle is securely locked onto the chair.

CAUTION— Quick-release button (A) must be flush with the edge of the wheel hub for detent balls (E) to be engaged.



TOOLS YOU WILL NEED

1. Imperial Hex key set
2. Metric Hex key set
3. Imperial Open-end Wrench set
4. Metric Open-end Wrench set
5. Torque wrench
6. Imperial Hex bit Socket set
7. Metric Hex bit Socket set
8. Phillips and Flat screwdrivers



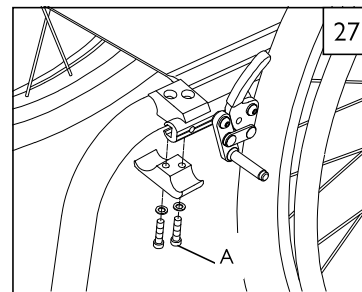
E. WHEEL LOCKS 27 28

Quickie QR1 Swing-Away and Quickie QR1 Fixed Front wheelchairs are shipped with one of four types of wheel locks. Wheel locks are installed at the factory unless you have requested otherwise.

Use a torque setting of 100 in.-lbs. when setting up wheel locks.

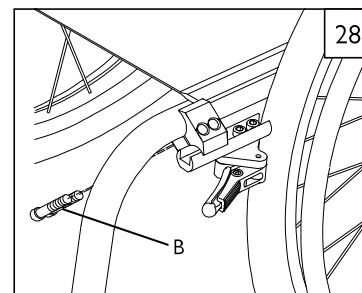
1. High-Mount Push-to-Lock or Pull-to-Lock , Wheel Locks Adjustment

- a. Using a 5mm Allen wrench, turn one of the screws (A) in the clamp counterclockwise one-quarter turn.
- b. Repeat the same process with the second of the two screws.
- c. Alternately loosen the screws (two turns each) until both screws are removed.
- d. Slide clamp toward the rear wheel until the wheel lock is embedded into the tire to prevent wheel movement, when in the locked position.
- e. Tighten screws to 144 in.-lbs. (16.3 Nm).

**2. Ergo Scissor Wheel Locks or Compact Wheel Locks**

Loosen the screws (B) on the bottom of each clamp using a 5mm Allen wrench. Slide assembly toward rear wheel until clamp embeds into tire to prevent wheel movement when in locked position. Adjust angle position. Tighten screws to 144 in.-lbs. (16.3 Nm).

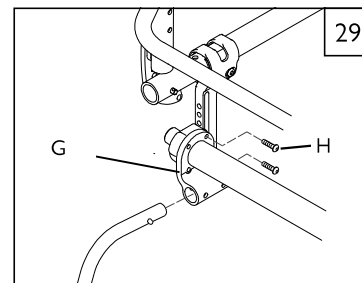
NOTE- Clamp and wheel lock may need to be rotated to clear frame tubing.

**F. ANTI-TIP RECEIVER** 29

Sunrise Medical recommends anti-tip tubes for all wheelchairs. Use torque setting of 100 in.-lbs. (12 Nm) when installing anti-tip tubes receivers.

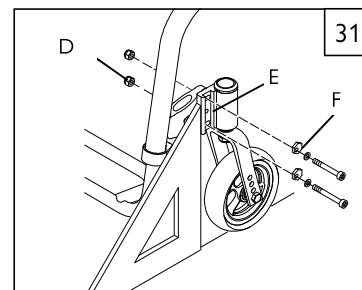
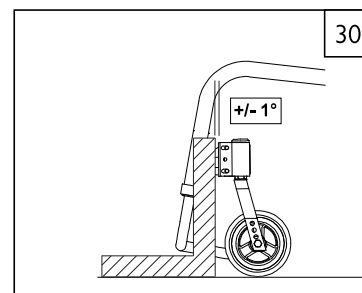
1. Attaching Anti-tip Receiver

- a. Slide both Anti-tip receivers (G) onto Camber tube and attach hardware (H) to secure the receiver to the chair.
- b. Tighten all screws (H) and attach camber tube with Anti tip receivers to the wheelchair frame

**G. CASTERS** 30 31**Adjusting Caster Angle**

For optimum performance, the caster housing should always be at a 90 degree angle to the floor (perpendicular to the ground). This adjustment is made with an eccentric (offset) attachment bolt mechanism.

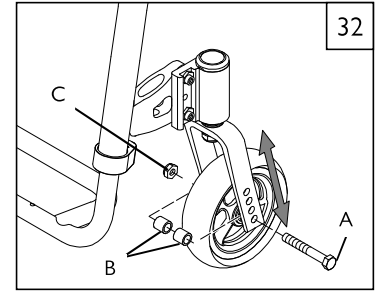
- a. To change the angle, place the chair on a flat surface (such as a table).
- b. Remove the nuts (D) from the caster plate (E). You do not have to completely remove the bolts. The caster plate is slotted at the top and bottom for adjustment purposes, and is now free to be adjusted.
- c. Place a large square against the table surface and the front surface of the caster housing.
- d. By rotating the eccentric washers (F) independently you can align the caster stem perpendicular to the floor surface.
- e. Re-attach the nuts, and tighten to 75 in.-lbs.
- f. Repeat the process for the other caster.



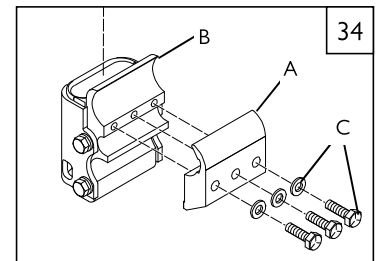
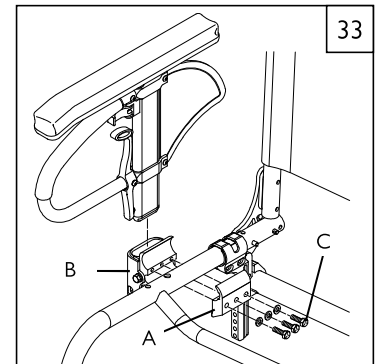
H. FORKS 32

When adjusting Seat Height, or seat angle, you may find it necessary to adjust the height of the caster in the fork for proper tracking and stability.

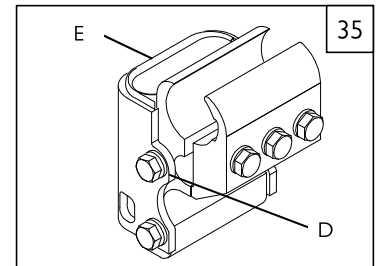
- Using either 2 appropriate sized hex wrenches, or a hex wrench and socket, loosen and remove the hex screw (A) and nut to free the caster wheel and spacers from the forks.
- Move the caster wheel and spacers (B) to the correct location. Re-insert the hex bolt first, through the fork, then spacer 1, the caster wheel and bearings, and finally spacer 2 and the opposite side of the fork.
- Carefully attach and tighten the locknut (C) so that the wheel bearings are not compressed and the caster wheel can still turn freely within the fork assembly.
- Repeat the same process with the second fork and caster assembly.

**I. SINGLE POST ARMREST RECEIVER ATTACHMENT** 33 34**1. Mounting**

- Locate the two parts of the clamp receiver (A) (B) close to the center of the frame tube.
- Hold in place while hand-tightening the hardware (C) that will fasten the receiver in place.
- Insert the armrest into the receiver (B). Once inserted, slide the receiver clamp and armrest to the optimum location. Before tightening the clamp hardware, make sure the armrest is perpendicular to the rolling surface.
- Tighten the clamp hardware (C) to secure the armrest and receiver assembly.

**2. Adjustment** 35

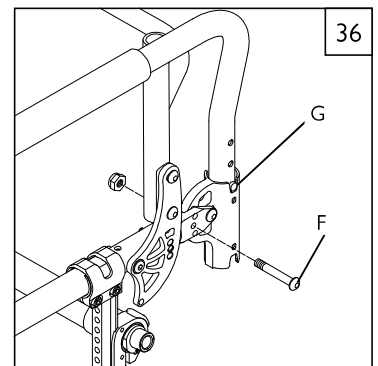
- To adjust the fit of the Single Post Armrest in the receiver, loosen the 4 hex bolts (D) by using a 10 mm (Metric M6 Hex Head) wrench.
- With the armrest assembly in the receiver, press firmly on the outside of the receiver (E).
- Maintain pressure on the receiver and re-tighten two of the hex bolts.
- Remove the armrest assembly and re-tighten the remaining two hex bolts.
- The armrest will fit firmly in the receiver and lessen any noise that may result from vibration.

**J. PADDED SWING-AWAY ARMRESTS (Option)** 36**1. Height Adjustment**

- Swing-away armrests can be detached or can swing away to allow lateral transfers.
- They are height adjustable (2") by moving pivot lock (G) up or down in predrilled holes on armrest bracket.

2. Angle Adjustment

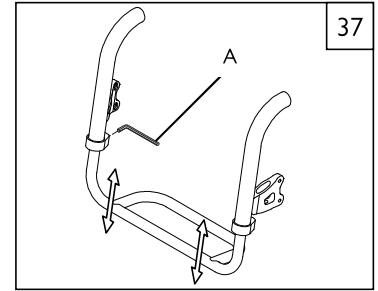
- To change the angle, remove the hardware (F) and reposition to the needed angle.
- Reinsert the bolt and tighten the nut.



K. FOOTREST HEIGHT ADJUSTMENT 37

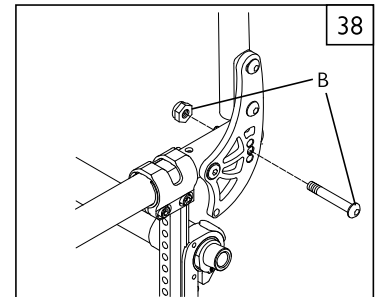
To adjust the height of your footrest, use the appropriate size Hex wrench (A), and loosen the screw on both footrest clamps. Slide the footrest up or down to the new desired height and tighten the two set screws. Use a torque setting of 144 in-lbs (16.3 Nm).

CAUTION - It is recommended that you maintain a minimum of 2.0 inches (5 cm) between the lowest point on the footrest and the floor. This will provide adequate clearance for uneven surfaces and prevent damage to your footrest.

**L. BACK ANGLE ADJUSTMENT** 38 39**1. Non-folding back instructions**

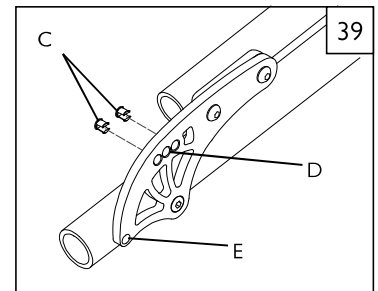
- Remove backrest bracket hardware (B).
- Rotate the backrest to the desired angle.
- Align desired backrest bracket hole with seat frame opening.
- Reinsert bolt and tighten.

CAUTION – When changing the back angle of the wheelchair both the left and right angle adjustable back bracket must be in the same hole position before the wheelchair is to be used.

**2. Backrest Angle Preset Plugs**

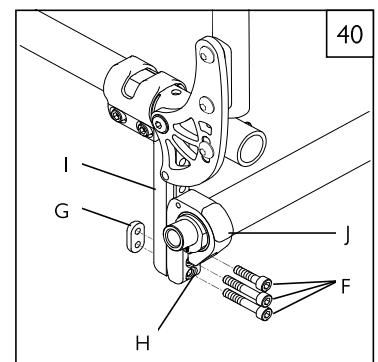
The preset plugs allow you to unemploy the backrest bracket holes you do not wish to use. This allows the backrest to automatically lock into your desired angle position after unfolding.

- Determine which backrest bracket holes you do not want to use.
- Insert plugs (C) into the predetermined holes from the chair side of the bracket (D).
- To ensure the backrest will lock in the folded position, do not insert a plug in the lowest hole (E).

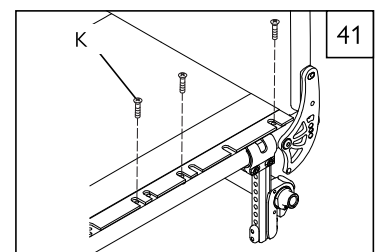
**M. ADJUSTING REAR SEAT HEIGHT** 40

To adjust rear seat height, loosen and remove the 6 cap screws (F) (3 per side) and nut plate (G) that secure the camber tube clamps (H) to the axle plates (I). Move both camber tube clamps (J) to the desired height and reinstall the 6 cap screws that attach the camber tube clamps to the axle bracket. Then follow the instructions for setting the toe-in/out to zero. Tighten screws to 144 in-lbs. (16.3 Nm).

NOTE– Adjustment to rear seat height may also require caster angle adjustment. See Caster adjustment section.

**N. SEAT SLING ADJUSTMENT** 41

Remove the screws (K) and rear nut (L) retaining the left side seat sling. Readjust VELCRO®-style material to increase the tension in the seat sling. Replace screws and rear nut. If there is any difficulty in reattaching the screws (K), try using a probe to help align the holes. Ensure that the plastic saddles are under the seat rail in all fastener positions.



O. REAR AXLE

The most important adjustment on your Quickie wheelchair is the position of the rear axle. The center of gravity and wheel camber are determined by the axle adjustment.

1. Center of Gravity Adjustment 42

WARNING

The more you move your rear wheels forward, the more likely your chair will tip over backwards. Always make adjustments in small increments, and check the stability of your chair with a spotter to prevent a tip-over. We recommend that you use anti-tip tubes until you adapt to the change and are sure you are not at risk to tip over. Refer to additional Warnings in Section VI "Falls and Tip Overs".

NOTE- Changes to the center of gravity may affect the rear seat height, toe-in/toe-out of the rear wheels and the squareness of the casters. If you change your center of gravity position, re-adjust all of these settings if necessary.

NOTE- Adjusting your chair's center of gravity will require re-adjusting the location of the wheel locks (if provided). See for instructions on adjusting the wheel locks.

You can adjust your center of gravity position by moving the two axle plate and clamp assemblies (A) forward or rearward on the seat tube (B). Moving the axle plate clamps forward shortens the wheelbase and lightens the front end, making your chair more maneuverable. Moving the axle plates and camber tube rearward makes the chair more stable and less likely to tip rearward.

To adjust the center of gravity location, remove both rear wheels. Loosen the 4 screws (C) (2 per side) that secure the axle plates (A) to the seat tubes. Slide both camber tube clamps forward or rearward along the seat tube to the desired position. Make sure both sides are adjusted symmetrically before tightening screws. Tighten screws to 144 in-lbs. (16.3 Nm).

Once the camber tube clamps are secured, attach the rear wheels, occupy the chair and maneuver it with a spotter to get a feel for the new adjustment.

2. Wheel Camber 43

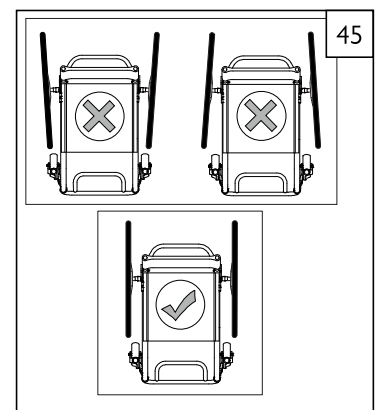
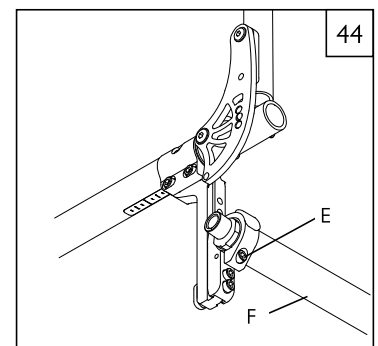
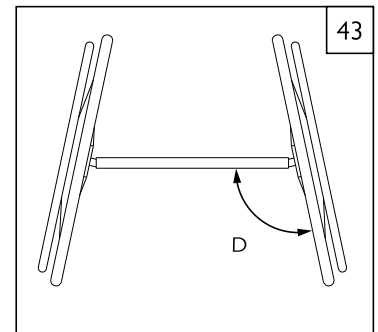
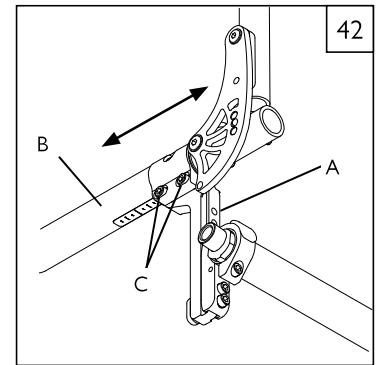
Wheel camber, shown as angular relationship (D), provides greater side-to-side stability due to the increased width and angle of the wheelbase. It also allows for quicker turning and greater access to the top of the handrims.

Wheel camber is determined by pairs of interchangeable camber plugs which are available from your authorized supplier in 0° and 3° angles. You can remove the old camber plugs and replace them with new ones by loosening the screws (E) and removing or adding the plug to the camber tube (F).

3. Setting Toe-in toe-out to zero 42 43 44 45

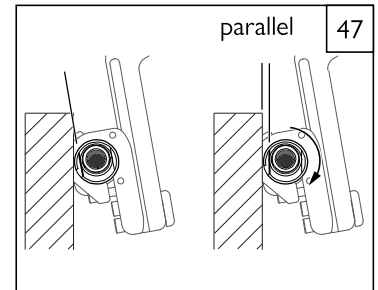
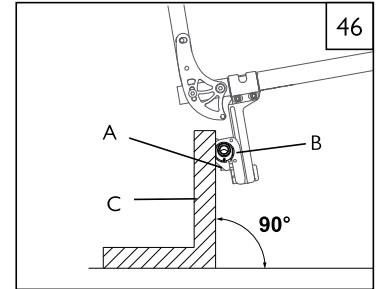
NOTE- A wheelchair equipped with 0° camber plugs cannot have a toe-in toe-out condition. This adjustment is only required when using 3° camber plugs.

Toe refers to how well the rear wheels of the chair are aligned relative to the direction of travel. It affects how well the chair will roll. Drag or rolling resistance is best when the wheel toe is set to zero.

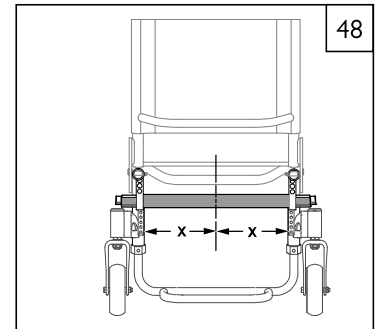


4. Setting the Toe to Zero 46 47

Place the entire wheelchair on a flat horizontal table or ground surface. Loosen the 2 cap screws (A) (one per side) that secure the camber tube clamp. Locate the flat surfaces on the front and rear of the camber plugs (B). Place an object that is known to have an accurate 90° corner (C) (such as a carpenter's square, drafting triangle, etc.) down on the flat horizontal surface and up against the flat of the camber plug. Rotate the camber tube and plug assembly until the flat surface of the camber plug is parallel to the measuring tool. Complete this process for both sides of the chair by only rotating the camber plug on the second side.

**5. Center Camber Tube** 48

Before tightening the screws (A), make certain that the camber tube is centered left-to-right relative to the wheelchair frame. There should be an equal gap on both sides of the wheelchair or none at all. Torque the fasteners to 144 in-lbs. (16.3 Nm).

**P. REAR WHEEL SPACING** 49 50**1. Adjusting the Wheelbase Width**

Adjusting the wheelbase width allows the rider the option to move the wheels closer or further away from the hips. It also compensates for camber adjustment and gives the proper wheel spacing to maximize pushing efficiency.

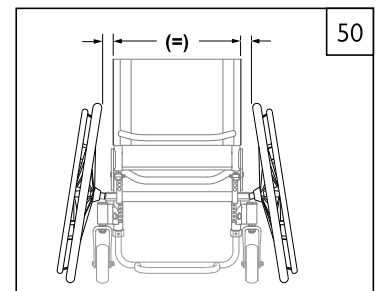
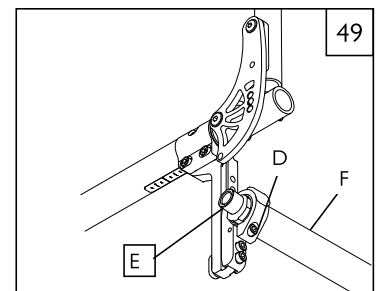
Adjust the wheelbase width by loosening the left and right capscrew (D) and moving the camber plug (E) in or out equally on both sides. Do not rotate the camber plug as this adjustment is made because it will effect the toe-in/toe-out adjustment. Slide the Camber insert in or out to establish the most efficient wheelbase width.

2. Adjusting Rear Wheel Spacing

Rear wheel spacing is measured as the gap between the top of the rear wheels and the backcanes, this gap must be equal on both sides. Factory settings will be as narrow as possible depending on the options chosen.

NOTE- When setting the rear wheel spacing only make adjustments to one side of the chair at a time. Loosening both sides will undo the toe setting.

To adjust the rear wheel spacing, the camber plugs (E) telescope in and out of the camber tube (F) with hard stops at each end of travel. On the left side of the chair, loosen screw (D) (the one closest to the camber tube). Slide the camber insert in or out to establish the required wheel spacing. Tighten screw to 144 in-lbs. (16.3 Nm). Repeat on the right side of the chair, matching the wheel spacing set on the left side.



A. FOR FIVE (5) YEARS

1. Sunrise warrants the frame and cross brace if applicable of this wheelchair against defects in materials and workmanship for five years after the date of sale for the original purchaser.
2. This warranty does not apply if:
 - a. The chair is subject to abuse.
 - b. The chair is not maintained as recommended in the owner's manual.
 - c. The chair is transferred to a different person from the original owner.

B. FOR ONE (1) YEAR

We warrant all Sunrise-made parts and components of this wheelchair against defects in materials and workmanship for one year from the date of first consumer purchase.

Backrest Tension Adjustable

Each Backrest Tension Adjustable is carefully inspected and tested to provide peak performance. Every Backrest Tension Adjustable is guaranteed to be free from defects in materials and workmanship for a period of twelve (12) months from the date of purchase provided normal use. Should a defect in materials or workmanship occur within twelve months from the original date of purchase, Sunrise Medical will, at its option, repair or replace it without charge. This warranty does not apply to puncture, tears or burns. Claims and repairs should be processed through the nearest authorized supplier. Except for express warranties made herein, all other warranties including implied warranties of merchantability and warranties of fitness for particular purpose are excluded. There are not warranties which extend beyond the description of the face hereof. Remedies for breach of express warranties herein are limited to repair or replacement of the goods. In no event shall damages for breach of any warranty include any consequential damages or exceed the cost of non-conforming goods sold.

C. LIMITATIONS

1. We do not warrant:
 - a. Tires and tubes, upholstery, pads and push-handle grips.
 - b. Damage from neglect, accident, misuse, or from improper installation or repair.
 - c. Products modified without Sunrise Medical's express written consent.
 - d. Damage from exceeding the weight limit.

2. This warranty is VOID if the original chair serial number tag is removed or altered.
3. This warranty applies in the USA and Canada only. Check with your supplier to find out if international warranties apply.
4. This warranty is not transferable and only applies to the first consumer purchase of this wheelchair through an authorized Sunrise Medical dealer.

D. WHAT WE WILL DO

Our sole liability is to repair or replace covered parts. This is the exclusive remedy for consequential damages.

E. WHAT YOU MUST DO

1. Obtain from an authorized supplier, while this warranty is in effect, prior approval for return or repair of covered parts.
2. Return the wheelchair or part(s), freight pre-paid to the designated Sunrise Medical location.
3. Pay the cost of labor to repair, remove or install parts.

F. NOTICE TO CONSUMER

1. If allowed by law, this warranty is in place of any other warranty (written or oral, express or implied, including a warranty of merchantability, or fitness for a particular purpose).
2. This warranty gives you certain legal rights. You may also have other rights that vary from state to state.

Record your serial number here for future reference:

Sunrise Medical S.r.l.
Via Riva, 20 – Montale
29122 Piacenza
Italia
Tel.: +39 0523 573111
www.SunriseMedical.it

Sunrise Medical AG
Erlenauweg 17
CH-3110 Münsingen
Schweiz/Suisse/Svizzera
Tel +41 (0)31 958 3838
www.SunriseMedical.ch

Sunrise Medical AS
Delitoppen 3
1540 Vestby
Norge
Telefon: +47 66 96 38 00
post@sunrisemedical.no
www.SunriseMedical.no

Sunrise Medical AB
Neogatan 5
431 53 Mölndal
Sweden
Tel.: +46 (0)31 748 37 00
post@sunrisemedical.se
www.SunriseMedical.se

MEDICCO s.r.o.
H – Park, Heršpická 1013/11d,
639 00 Brno
Czech Republic
Tel.: (+420) 547 250 955
Fax: (+420) 547 250 956
www.medicco.cz
info@medicco.cz
Bezplatná linka 800 900 809

Sunrise Medical Aps
Mårkærvej 5-9
2630 Taastrup
Denmark
+45 70 22 43 49
info@sunrisemedical.dk
www.SunriseMedical.dk

Sunrise Medical Australia
11 Daniel Street
Wetherill Park NSW 2164
Australia
Ph: +61 2 9678 6600
Email: enquiries@sunrisemedical.com.au
www.SunriseMedical.com.au

Sunrise Medical (US) LLC
North American Headquarters
12002 Volunteer Blvd.
Mount Juliet, TN 37122, USA
(800) 333-4000
(800) 300-7502
www.SunriseMedical.com



© 2025 Sunrise Medical (US) LLC
122143 Rev. E

Sunrise Medical GmbH
Kahlbachring 2-4
D-69254 Malsch
Deutschland
Tel.: +49 (0) 7253/980-0
Fax: +49 (0) 7253/980-222
www.SunriseMedical.de

Sunrise Medical Ltd.
Thorns Road
Brierley Hill
West Midlands
DY5 2LD
England
Phone: 0845 605 66 88
Fax: 0845 605 66 89
www.SunriseMedical.co.uk

Sunrise Medical S.L.
Polígono Bakiola, 41
48498 Arrankudiaga – Vizcaya
España
Tel.: +34 (0) 902142434
Fax: +34 (0) 946481575
www.SunriseMedical.es

Sunrise Medical Poland
Sp. z o.o.
ul. Elektronowa 6,
94-103 Łódź
Polska
Telefon: + 48 42 275 83 38
Fax: + 48 42 209 35 23
E-mail: pl@sunrisemedical.de
www.Sunrise-Medical.pl

Sunrise Medical B.V.
Defensiedok 20
3433 NE Nieuwegein
The Netherlands
T: +31 (0)30 – 60 82 100
F: +31 (0)30 – 60 55 880
E: info@sunrisemedical.nl
www.SunriseMedical.nl

Sunrise Medical HCM B.V.
Vossenbeemd 104
5705 CL Helmond
The Netherlands
T: +31 (0)492 593 888
E: customerservice@sunrisemedical.nl
www.SunriseMedical.nl
www.SunriseMedical.eu (International)

Sunrise Medical S.A.S
ZAC de la Vrillonnerie
17 Rue Mickaël Faraday
37170 Chambray-Lès-Tours
Tel : + 33 (0) 2 47 55 44 00
Email: info@sunrisemedical.fr
www.SunriseMedical.fr

Sunrise Medical Canada Inc.
1000 Creditstone Rd., Unit #2
Concord, ON, L4K 4P8
Canada
Phone: 1-800-263-3390
Fax: 1-800-561-5834
www.SunriseMedical.ca