

# TECH INFO | PLUSH Pads

**Foam:** Dual density laminate:  
Support layer - 5/8" thick, latex free closed cell ethylene/propylene rubber blend with laminated self-adhesive flannel loop material for easy foam replacement (black).

**Comfort layer:** 3/4" thick, open cell polyurethane contact foam (white).

**Panel:** Formed epoxy e-coated steel panel with laminated self-adhesive hook material for easy foam replacement.

**Collar:** Universal 3/4" radius split collar, includes vinyl collar cover.

**Cover:** Locking zippered Lycra cover, combination neoprene with laminated Lycra outer fabric and nylon inner fabric (black).

**Cover Options:** Lycra fabric is standard. Cover options must be specified at time of order (black).

**Dartex® Reversed:** Locking zippered vinyl style polyurethane coated fabric cover. Coating protected against microfungi and bacteria. Water resistant and breathable (black).

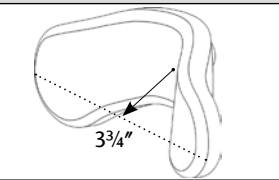
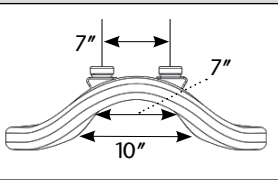
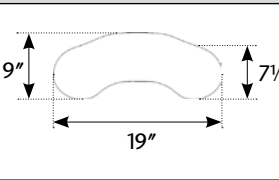
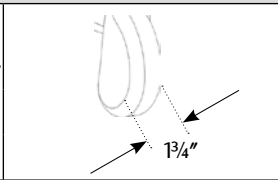
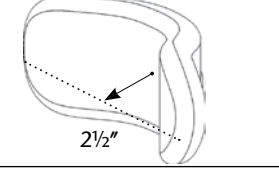
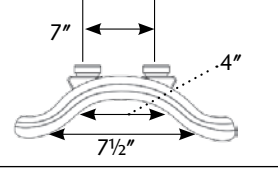
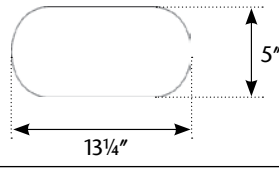
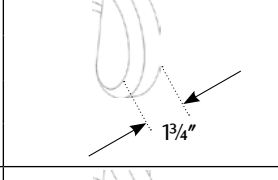
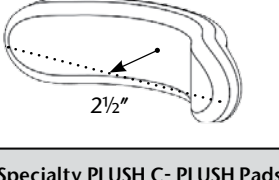
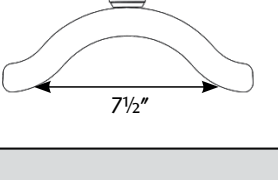
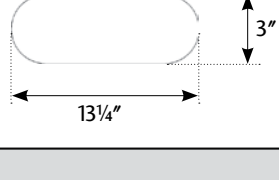
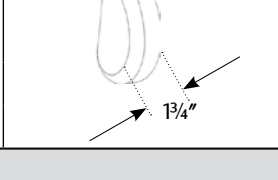
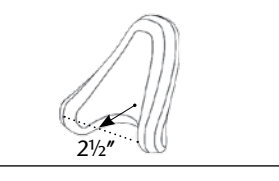
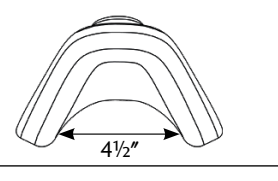
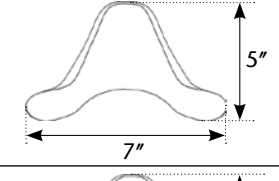
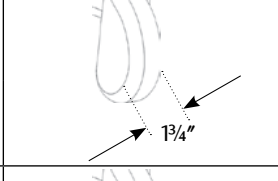
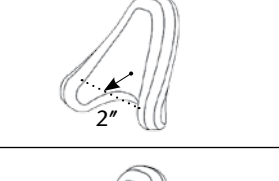
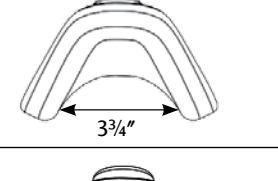
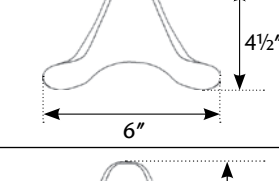
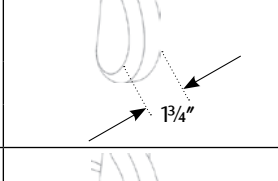
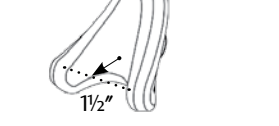
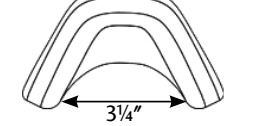
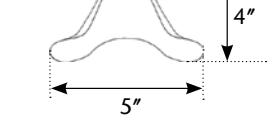
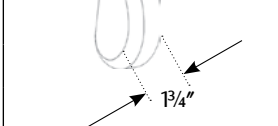
**Fleece:** Locking zippered, natural lamb's wool cover (black). Fleece covers are sold separately as an upgrade.

**NOTE:** Measurements may vary due to foam variance.

**Washing Instructions:** Hand wash in mild detergent and cool water. Lay flat to dry.

PLUSH Pads				
19" PLUSH P1900				
14" PLUSH P1400				
10" PLUSH P1000				
8" PLUSH P800				
6" PLUSH P600				
Adjust-A- PLUSH Standard: P8088 Narrow: P8044		<b>Standard</b> Adjustment: 8" - 18" 	<b>Narrow</b> Adjustment: 6" - 14" 	

# TECH INFO | Specialty PLUSH Pads

Specialty PLUSH Pads				
<b>19" Dual PLUSH</b> P1920				
<b>14" Dual PLUSH</b> P1420				
<b>Narrow PLUSH</b> P1205				
Specialty PLUSH C- PLUSH Pads				
<b>Large C-PLUSH</b> P4010				
<b>Medium C-PLUSH</b> P3010				
<b>Small C-PLUSH</b> P2010				

# TECH INFO | Occipital & Contoured Cradle Pads

**Foam:** Latex free closed cell ethylene/propylene rubber blend with laminated self-adhesive flannel loop material for easy foam replacement.

**Panel:** Formed epoxy e-coated steel panel with laminated self-adhesive hook material for easy foam replacement.

**Collar:** Universal 3/4" radius split collar, includes vinyl collar cover.

**Cover:** Locking zippered lycra cover, combination neoprene with laminated lycra outer fabric and nylon inner fabric (black).

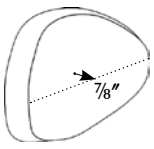
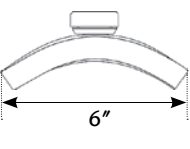
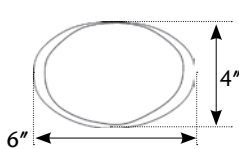
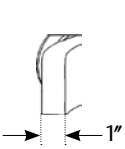
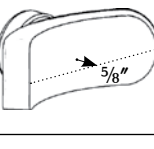
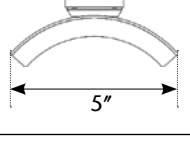
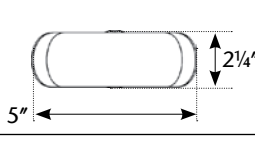
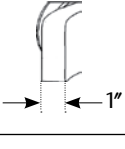
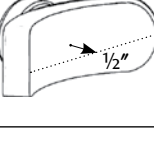
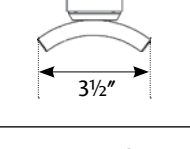
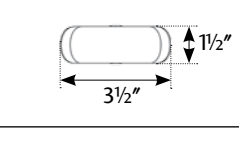
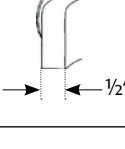
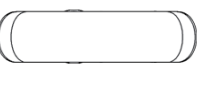
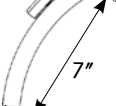
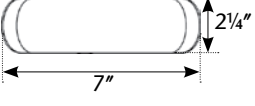
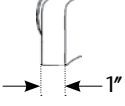

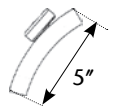
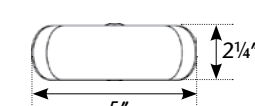
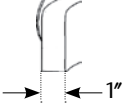
**Cover Options:** Lycra fabric is standard. Cover options must be specified at time of order (black).

**Dartex® Reversed:** Locking zippered vinyl style polyurethane coated fabric cover. Coating protected against microfungi and bacteria. Water resistant and breathable (black).

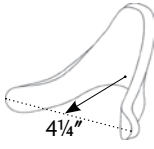
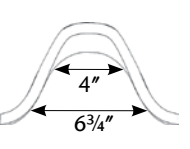
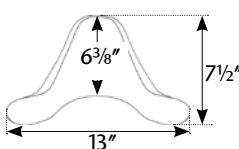
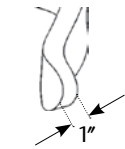
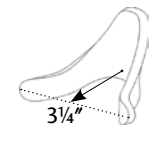
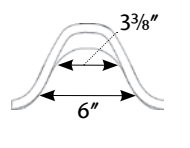
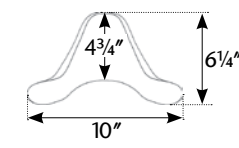
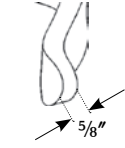
**Fleece:** Locking zippered, natural lamb's wool cover (black). Fleece covers are sold separately as an upgrade.

**NOTE:** Measurements may vary due to foam variance.

**Washing Instructions:** Hand wash in mild detergent and cool water. Lay flat to dry.

Occipital Pads				
Adult P600				
Pediatric P500				
Infant INFT100				
Long T-bar PL20				
Standard T-bar PL15				

1—NOTE: PL15 and PL20 pads are shipped flat. Both pads are malleable and can be shaped by hand.

Contoured Cradle Pads				
Large P400				
Medium P300				

# TECH INFO | Sub-occipital & Single Sub-occipital Pads

## Contoured Cradle Pads Continued

<b>Small</b> P200				
<b>Infant</b> INFT200				

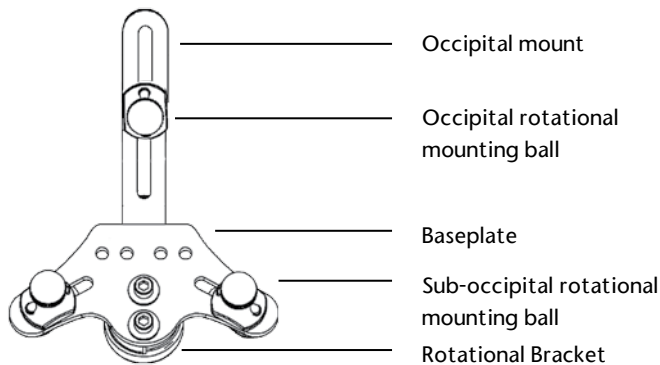
## Sub Occipital Pads

<b>Size-1</b> PSO1R / PSO1L				
<b>Size-3</b> PSO3R / PSO3L				
<b>Size-2</b> PSO2R / PSO2L				
<b>Size-4</b> PSO4R / PSO4L				
<b>Infant</b> INFT-R / INFTL				

## Single Sub Occipital Pads

<b>Single Sub Occipital</b> PSS01				
<b>Single Sub Occipital</b> PSS03				

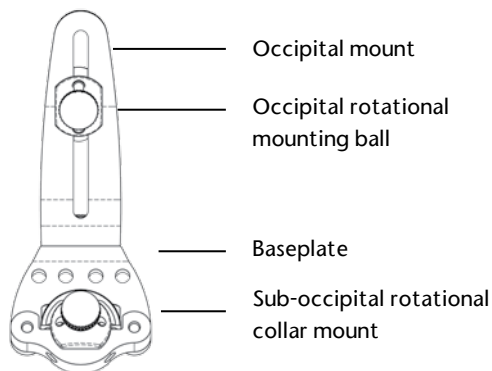
## TECH INFO | S.O.F.T. Adult and Pediatric Base Plate Assembly



The universal design of the S.O.F.T. base plate assembly fits on to the horizontal rod of any Whitmyer Biomechanix mounting system. Designed for three pad configurations, the rotational collar mount allows a full range of tilt and rotation for the complete base plate assembly. Width adjustable sub-occipital rotational mounting balls ensure even pressure distribution when positioning the pads. The height adjustment of the rotational mount ball, along with the separate depth adjustability of the occipital mount ensure correct anatomical fit for correction/control and support.

<b>M9375</b>	<b>Rotational</b>	<b>Forward Rotation</b>	<b>Rearward</b>	<b>Mount Reversed</b>	<b>Height</b>
<b>Adjustment</b>	<b>30°</b>	<b>30°</b>	<b>2¼"</b>	<b>5"</b>	<b>2"</b>

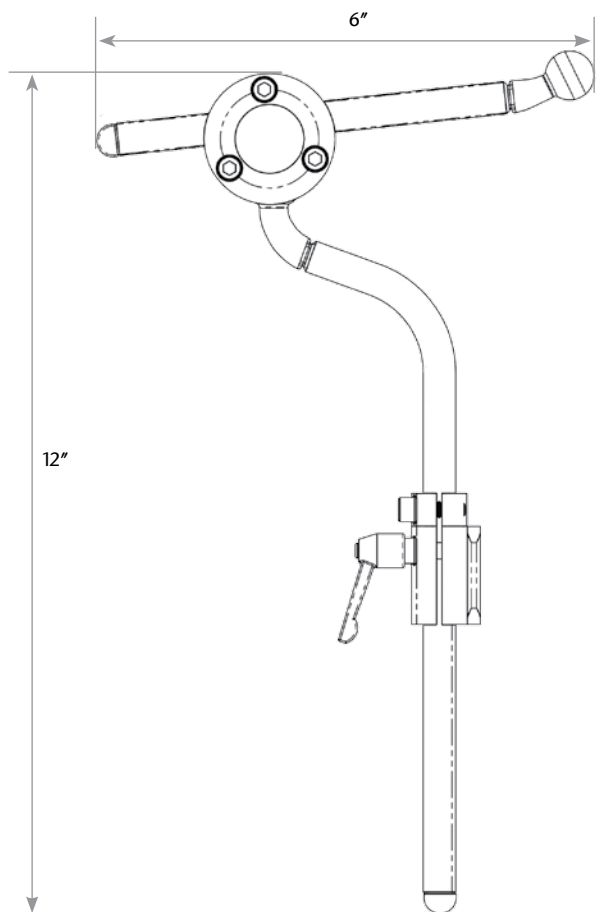
## TECH INFO | S.O.F.T. Single Sub-occipital Base Plate Assembly



The universal design of the Single Sub-occipital base plate assembly fits on to the horizontal rod of any Whitmyer Biomechanix mounting system. The rotational collar mount allows a full range of tilt and rotation for the complete base plate assembly. Mounted on the occipital bracket, the occipital mount ball allows height and rotational adjustment. Independent anterior/posterior adjustment is achieved through the slotted design of the occipital mount.

<b>M9275</b>	<b>Rotational</b>	<b>Forward Rotation</b>	<b>Rearward</b>	<b>Mount Reversed</b>	<b>Height</b>
<b>Adjustment</b>	<b>30°</b>	<b>30°</b>	<b>2¼"</b>	<b>5"</b>	<b>2"</b>

# TECH INFO | AXYS Mounting System



The AXYS Mounting System is a proven, economical hardware option. A black chrome finish combined with a small profile 1/2" steel square rod presents a compact, aesthetically pleasing mounting solution. Designed for rigorous applications, ease of adjustment, and simple modifications. This system is compatible with all Whitmyer Biomechanix accessories.

## Adult AXYS mounting system without pad(s) part # AX7010

### Special Considerations:

- Rotate horizontal rod 180° for increased pad angle adjustment
- Rearward off-set vertical rod available for users with thinner backs
- Square vertical rod interface available

### Material: Steel

Finish: Black chrome plated

Profile/Size: 1/2" Square Rod

6" horizontal rod & 12" vertical rod

### Adjustment Point: Fixed collar clamp at

vertical/horizontal rod interface

Measurement changes when applying base plates:

add 1 3/4" for S.O.F.T. base plate

### Mounting Brackets:

Detachable: M2500

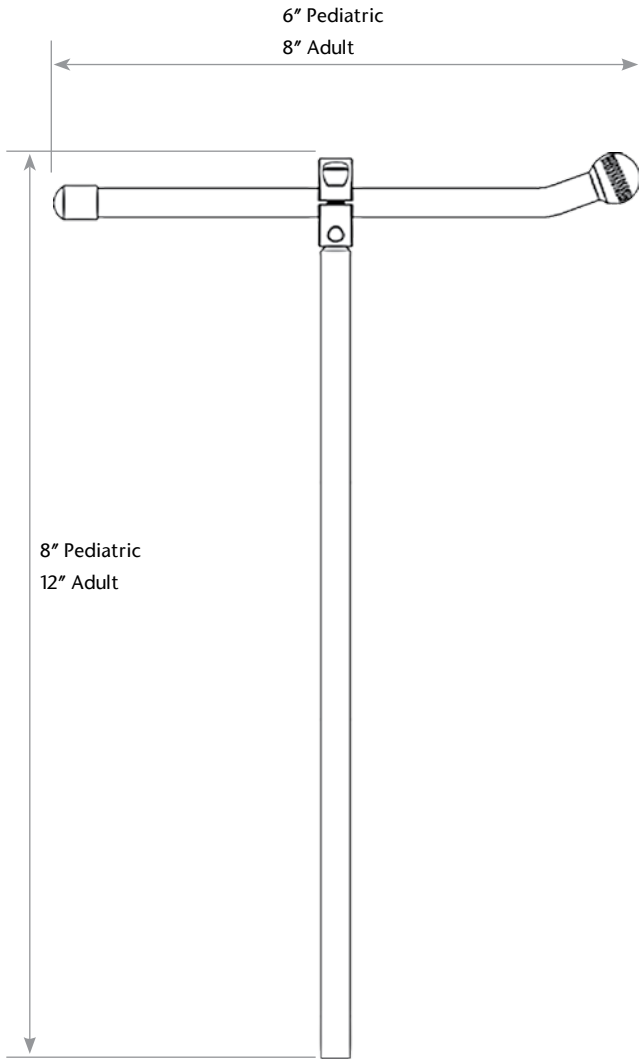
Swingaway: M5500

Material: Aluminum extrusion

Finish: Black anodized

	Height	Horizontal Depth	Pitch	Mounting Holes	Mount Placement
Standard	12"	6"	30°	1 7/8"-2" on center	3" minimum from top of chair back

# TECH INFO | ONYX Mounting System



The ONYX Mounting System is a proven, economical hardware option. A black chrome finish combined with a small profile  $\frac{7}{16}$ " steel rod presents a compact, aesthetically pleasing mounting solution. Designed for rigorous applications, ease of adjustment, and simple modifications. This system is compatible with all Whitmyer Bio-mechanix accessories.

**Adult ONYX mounting system without pad(s) part # OX7010**

**Pediatric ONYX mounting system without pad(s) part # OX7030**

**Special Considerations:**

- Rotate horizontal rod 180° for increased pad angle adjustment
- Rearward off-set vertical rod available for users with thinner backs
- Square vertical rod interface available

**Material: Steel**

Finish: Black chrome plated

**Profile/Size:  $\frac{7}{16}$ " Rod**

Adult: 8" horizontal rod & 12" vertical rod

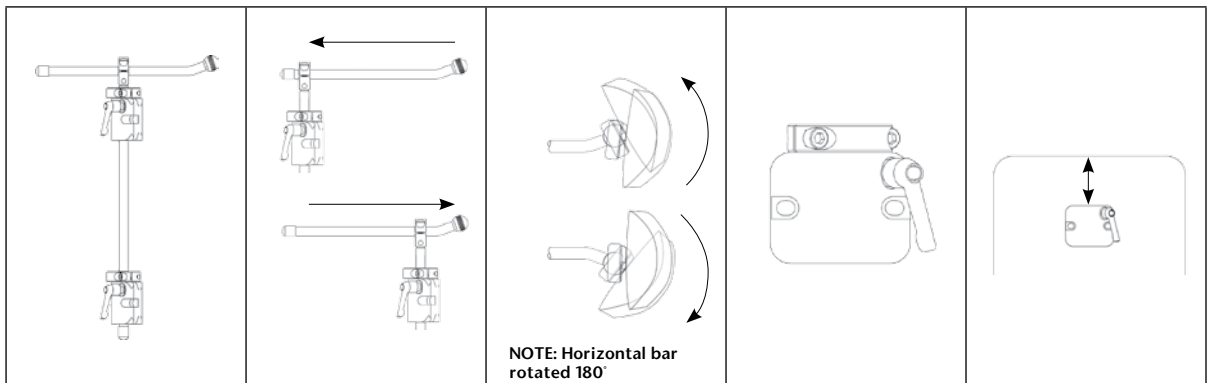
Pediatric: 6" horizontal rod & 8" vertical rod

**Adjustment Point:** Fixed collar clamp at vertical/horizontal rod interface

- Measurement changes when applying base plates:
- add  $\frac{3}{4}$ " for S.O.F.T. base plate
  - add  $\frac{1}{4}$ " for SSO

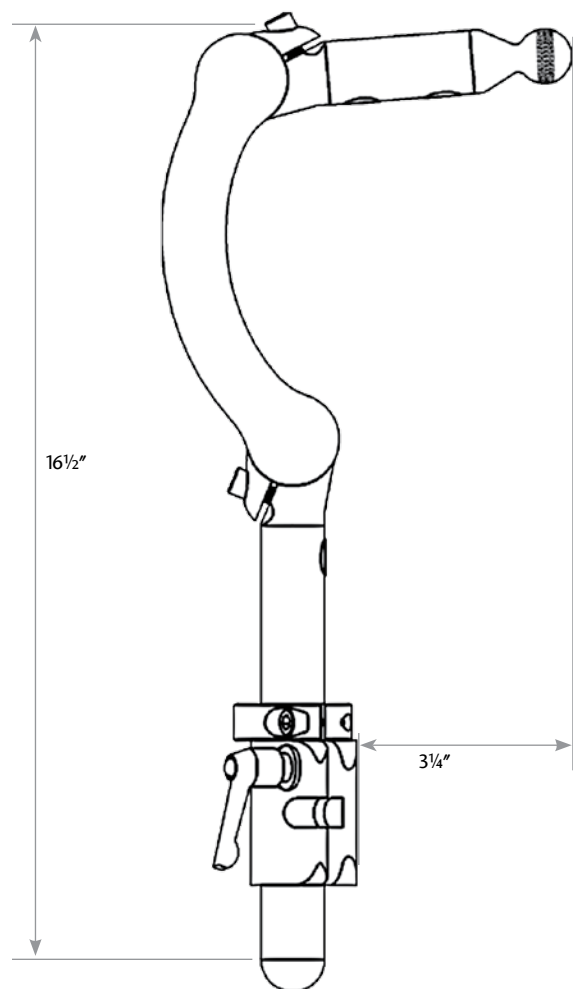
**Mounting Brackets:**

- Detachable: M2100
- Swingaway: M5100
- Material: Aluminum extrusion
- Finish: Black anodized



	Height	Horizontal Depth	Pitch	Mounting Holes	Mount Placement
Adult	11"	1" Minimum 8" Maximum	30°	1 $\frac{1}{8}$ "-2" on center	3" minimum from top of chair back
Pediatric	7"	1" Minimum 6" Maximum	30°	1 $\frac{1}{8}$ "-2" on center	3" minimum from top of chair back

# TECH INFO | LINX Mounting System



The Linx Mounting System features the latest concept in contemporary head support mounting hardware. Combining two simple, unique points of adjustment allows full anterior/posterior fluid movement, creating an infinite range of support surface placement. Satin black tubing with contrasting polished aluminum clamps and knurled mounting ball ensures stay-in-place adjustments with a stylish look.

## LINX mounting system without pad(s) part # LX7000

### Special Considerations:

No rearward protrusion and two easily accessible adjustment points simplify the fitting process.

**Material:** Extruded & cast aluminum and stainless steel

**Finish:** clamps, clear anodized – knurled ball, clear polished, tubes, black mat anodized

**Profile/Size:** 7/8" tubing

**Adjustment Point:** Three piece interlocking pivot system

Measurement changes when applying base plates:  
add 1 3/4" for S.O.F.T. base plate

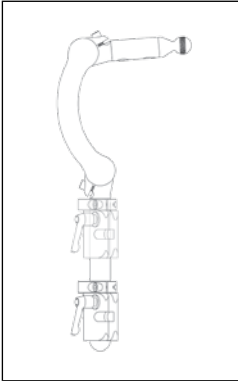
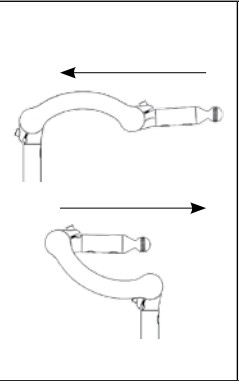
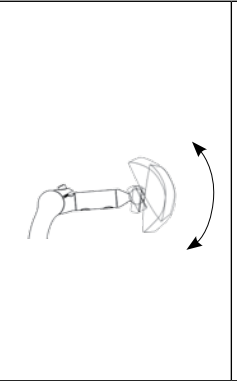
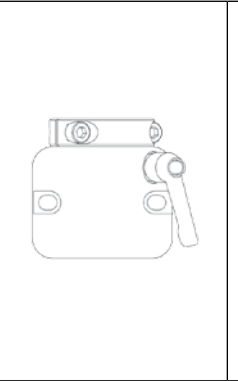
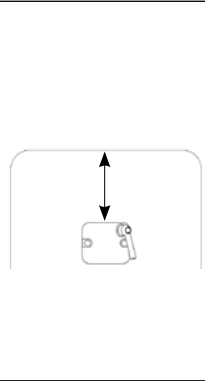
### Mounting Brackets:

Detachable: M2300

Swingaway: M5300

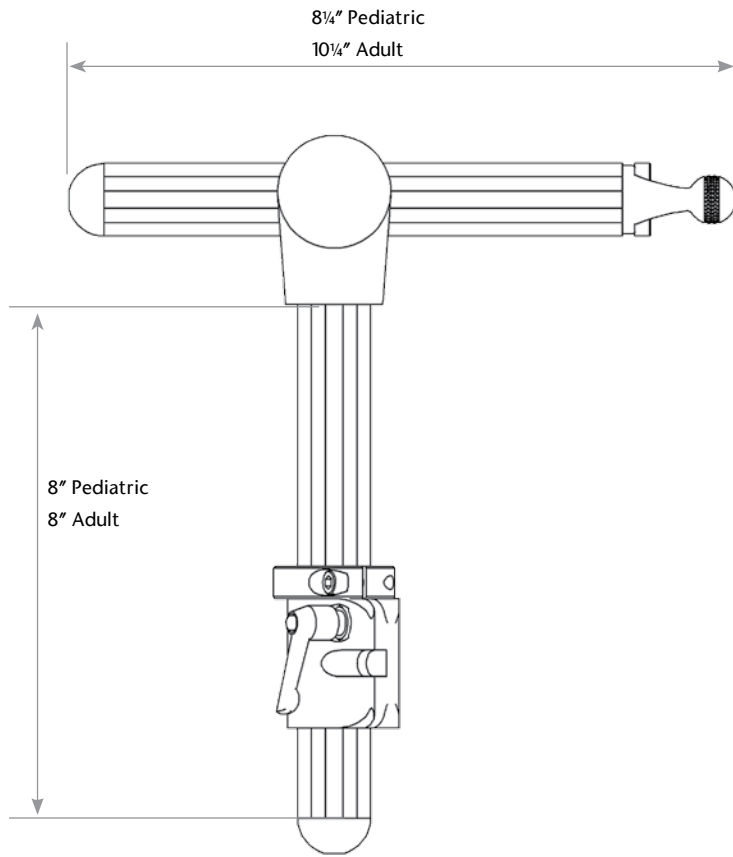
**Material:** Aluminum extrusion

**Finish:** Black anodized

					
	<b>Height</b>	<b>Horizontal Depth</b>	<b>Pitch</b>	<b>Mounting Holes</b>	<b>Mount Placement</b>
<b>Standard</b>	<b>7"</b>	<b>8 1/2" Forward 3/4" Rearward</b>	<b>30°</b>	<b>1 7/8"-2" on center</b>	<b>6" minimum from top of chair back</b>



# TECH INFO | PRO Mounting System



The PRO Mounting System is a proven hardware option for demanding applications. This mounting system is ideal for use when client strength or strong tonal patterns are an issue. Perfect for institutional environments.

Adult PRO mounting system without pad(s)  
part # PRC7010  
Pediatric PRO mounting system without pad(s) part # PRC7030

**Special Considerations:**

Rearward Protrusion: horizontal bar easily trimmed  
Rearward off-set bracket available for thinner backs

Contact customer service for custom vertical and horizontal bar lengths at 800-944-8246

**Material:** Aluminum  
Finish: Black anodized

Profile/Size: Adult & Pediatric 1 1/4" custom extrusion

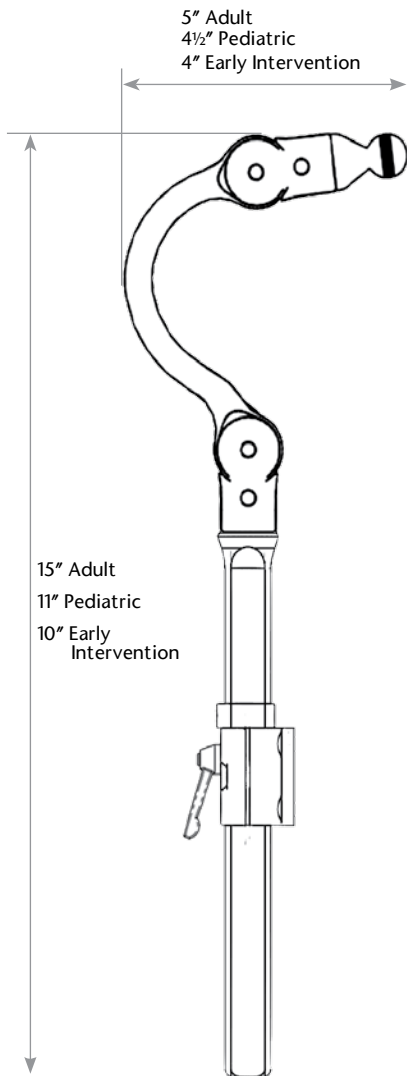
**Adjustment Point:** Horizontal pivot  
Measurement changes when applying base plates:  
add 1 1/4" for S.O.F.T. base plate

**Mounting Brackets:**

Detachable: M2200  
Swingaway: M5200  
Material: Aluminum  
Finish: Black anodized

	Height	Horizontal Depth	Pitch	Mounting Holes	Mount Placement
Adult	6"	1 1/2" Forward 8" Rearward	45°	1 1/8"-2" on center	3" minimum from top of chair back
Pediatric	6"	1 1/2" Forward 6" Rearward	45°	1 1/8"-2" on center	3" minimum from top of chair back

# TECH INFO | COBRA XTRA Mounting System



The COBRA XTRA Mounting System incorporates a sleek and unobtrusive design that eliminates protrusions towards the rear of the chair. With superior strength and positioning range, the COBRA XTRA Mounting System is available in Small (Early Intervention and Pediatric), Medium (Pediatric), and Large (Adult). The components are modular and easily changed in the field to enable exact positioning of the head support pad – even if the user’s head position changes from the time of the initial prescription.

**Special Considerations:**

All COBRA XTRA Mounting Systems are shipped with a detachable mounting bracket

- Early Intervention Part # CBRA7080
- Pediatric Part # CBRA7030
- Adult Part # CBRA7010

The top of the COBRA XTRA vertical rod has an adjustable, locking rotator assembly to allow rotational adjustment as well as front-to-rear adjustment of the shepherd’s crook-shaped forward adjustment rod (neck)

Low profile design does not impede access from behind

**Material: Aluminum**

Finish: Black Anodized

Profile Size: 1/2" X 7/8" bar and 1/2" rod

- Early Intervention 2 3/4" neck, 6 1/2" vertical Rod
- Pediatric 4 1/2" neck, 9 1/4" vertical Rod
- Adult 5 1/2" neck, 9 1/4" vertical Rod

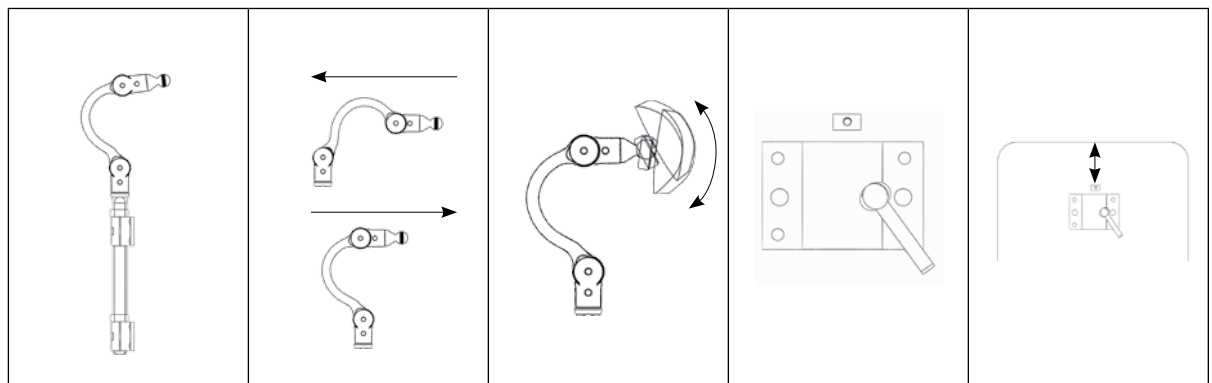
**Adjustment Point:** Two point adjustable, locking rotator assembly at intersection of vertical rod and neck plus one point adjustment at pad interface bracket

**Mounting Brackets:**

Detachable mounting bracket included with all COBRA XTRA Mounting Systems

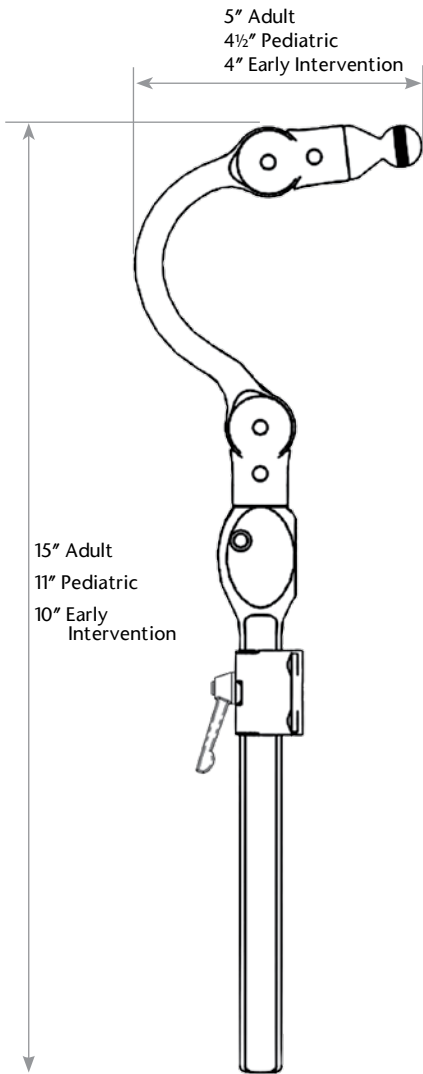
Material: Aluminum extrusion

Finish: Black anodized



	Height	Horizontal Depth	Pitch	Mounting Holes	Mount Placement
Adult	6 1/2"	6 1/2" Forward 2" Rearward	30°	1 7/8"-2" on center	5" minimum from top of chair back
Pediatric	3 1/2"	5" Forward 1 1/2" Rearward	30°	1 7/8"-2" on center	5" minimum from top of chair back
Early Intervention	3 1/2"	4" Forward 1/2" Rearward	30°	1 7/8"-2" on center	5" minimum from top of chair back

# TECH INFO | COBRA XTRA Flip Back Mounting System



The COBRA XTRA Flip Back Mounting System is operated by a single push-button on the side of the bracket and neatly flips the assembly back behind the wheelchair back. With superior strength and positioning range, the COBRA XTRA Flip Back Mounting System is available in Small (Early Intervention and Pediatric), Medium (Pediatric), and Large (Adult). The components are modular and easily changed in the field to enable exact positioning of the head support pad – even if the user’s head position changes from the time of the initial prescription.

### Special Considerations:

All COBRA XTRA Flip Back Mounting Systems are shipped with a detachable mounting bracket but without pad(s) are:

- Early Intervention Part # CBRA5080
- Pediatric Part # CBRA5030
- Adult Part # CBRA5010

The top of the COBRA XTRA vertical rod has an adjustable, locking rotator assembly to allow rotational adjustment as well as front-to-rear adjustment of the shepherd’s crook-shaped forward adjustment rod (neck)

Low profile design does not impede access from behind

### Material: Aluminum

Finish: Black Anodized

Profile Size: ½" X 7/8" bar and ½" rod

Early Intervention 2 ¾" neck, 11" vertical Rod

Pediatric 4 ½" neck, 11" vertical Rod

Adult 5 ½" neck, 11" vertical Rod

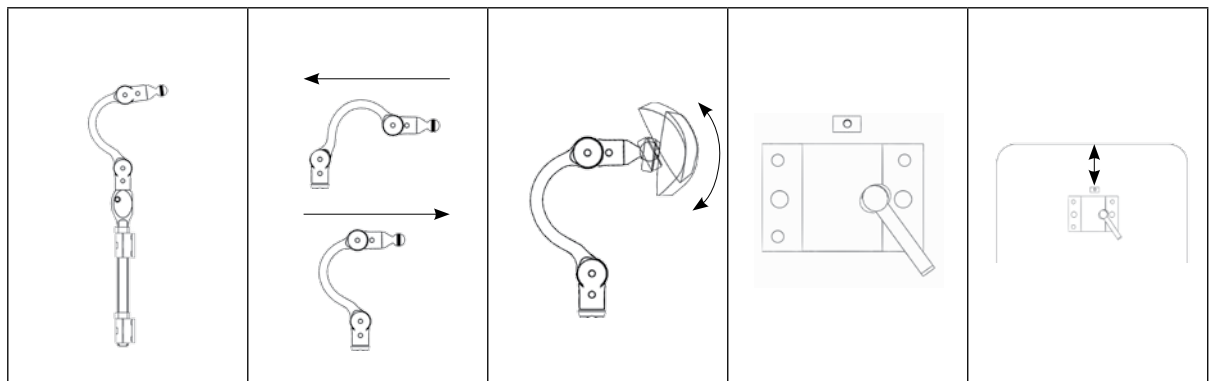
**Adjustment Point:** Two point adjustable, locking rotator assembly at intersection of vertical rod and neck plus one point adjustment at pad interface bracket

### Mounting Brackets:

Detachable mounting bracket included with all COBRA XTRA Flip Back Mounting Systems

Material: Aluminum extrusion

Finish: Black anodized



	Height	Horizontal Depth	Pitch	Mounting Holes	Mount Placement
Adult	5½"	6½" Forward 2" Rearward	30°	1⅞"-2" on center	5" minimum from top of chair back
Pediatric	2½"	5" Forward 1½" Rearward	30°	1⅞"-2" on center	5" minimum from top of chair back
Early Intervention	2½"	4" Forward ½" Rearward	30°	1⅞"-2" on center	5" minimum from top of chair back