

SERIAL NO: _____



AI
ALUMINIUM 7020

Customer Contact Details

Customer Name: _____	Ship to Customer Address: _____
RGK Genius: _____	Shipping Name: _____
Address: _____	Shipping Address: _____
_____	_____
_____	_____
Phone: _____	Phone: _____
Email: _____	Email: _____

Additional Information

Notes: _____	Current Wheelchair: _____
_____	Customer Weight: _____
_____	Customer Height: _____
_____	Customer Disability: _____

Other

<p>VAT Exemption Declaration (UK Only):</p> <p>I declare that I am chronically sick or disabled by reason of:</p> <p>_____</p> <p>and that I am receiving from RGK Wheelchairs Ltd, the wheelchair specified herein and I claim relief from Value Added Tax under group 12 of schedule 8 to Value Added Tax Act 1994.</p> <p>Signature: _____ Date: _____</p>	<p>RGK Contact Authorisation:</p> <p>From time to time, RGK would like to send you exclusive information, news and offers on everything RGK, by email or post. We will not pass any of your details to any third party.</p> <p>I would like to be contacted by RGK:</p> <p>Signature: _____ Date: _____</p>
--	--

SERIAL NO: _____

Guide:



Base product



Required option



Optional Extra



Critical Information



Information Needed

PRODUCT STYLE

ELAXZ010 ELITE
\$5,068.00

ELAXA062 Standard Frame

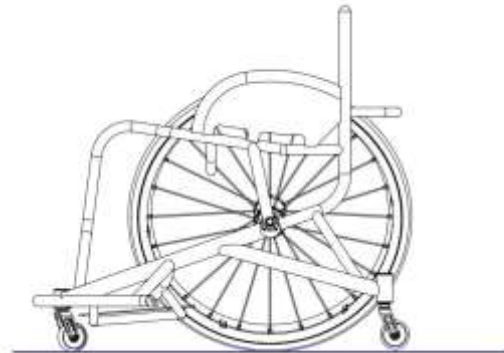
ELAXA063 Standard Frame with 25mm seat rail
\$72.00

ELAXA280 Heavy Duty Frame
\$578.00 (Spinergy R10 wheels also required)

ELAXA145 Rugby League Upgrade
\$458.00

Max User Weight 125kg (275lbs)

Max User Weight ELAXA280 Heavy duty frame 158kg (348lbs)



PLEASE NOTE: ALL RGK CHAIRS ARE HAND BUILT AND HAVE A MANUFACTURING MEASUREMENT TOLERANCE OF +/- 5MM

CAD APPROVAL

XW009 QUOTE ONLY (NO CAD FOR APPROVAL)
\$0.00

XW011 ORDER (NO CAD FOR APPROVAL)
\$0.00

XW012 QUOTE CAD drawing for approval
\$421.00 (2 customer amendments ONLY)

XW010 ORDER CAD drawing for approval
\$260.00 (2 customer amendments ONLY)

KEY MEASUREMENTS

XY010 Seat width (*Inside to inside of sideguards*) (Max - 500mm)



mm in

XY020 Seat length (Max - 500mm)



mm in

XY030 Extra seat length (*Provides additional leg support & hand grip*)



mm in

XY050 Front frame height (Min 360mm - Max 630mm)



mm in

XY060 Rear frame height (Min 360mm - Max 630mm)



mm in

XY070 Frame length (Min = XY020 + XY030 + 140mm)



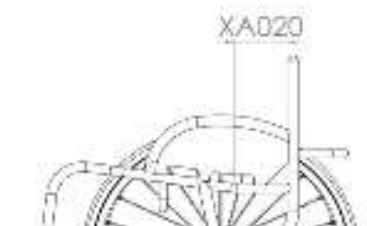
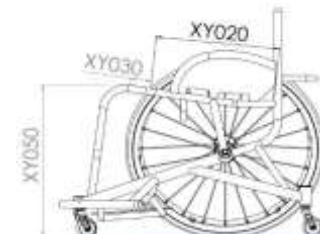
mm in

XA020 Ergonomic seat (Standard = 120mm)
\$84.00

Specify length



mm in



FRONT FRAME AND SEAT

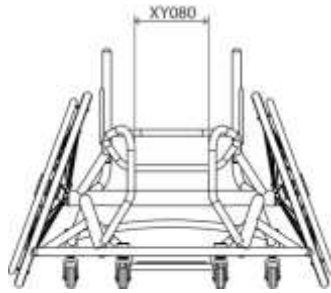
Front Frame Options (Choose One)

XY080 Seat taper design



Specify taper width

mm in



XA130 V-seat design
\$222.00



Specify taper width

mm in

NOTE: INSIDE TO INSIDE WHEEL (XY470) REQUIRED



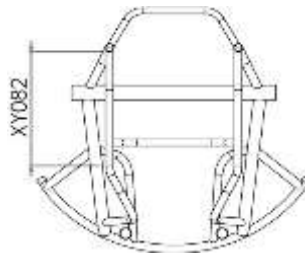
Advanced Front Frame Options

XY082 Seat taper position
\$87.00



Specify measurement

mm in



XA131 V-seat and taper design
\$300.00



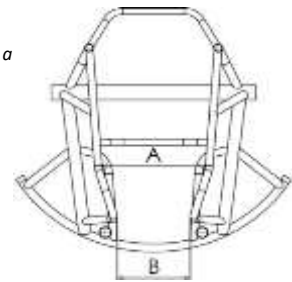
Specify inside width *a* front of sideguard (A)

mm in

Specify taper width (B)

mm in

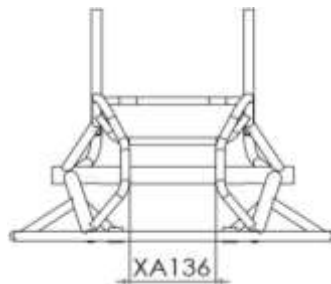
NOTE: INSIDE TO INSIDE WHEEL (XY470) REQUIRED



XA136 Parallel taper design
\$87.00
(Not with Seat Taper XY080)



Specify taper width



XA135 Asymmetrical taper design
\$369.00



Specify taper width (A)

mm in



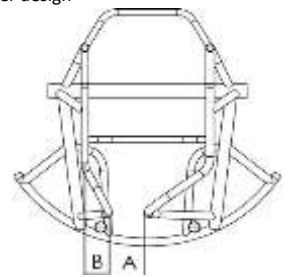
Specify offset (B)
(Inside of sideguard to inside of taper width)

mm in



Specify offset taper side

Left Right



Seat Options

XR040 Aluminum seat plate
\$139.00
(riveted to frame)



Specify length of plate

mm in (Std XY020 - 20mm)

XA260 Drop seat design
\$203.00
(only with either XR040 or 050)



Specify drop

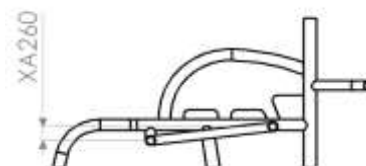
mm in (Std = 20mm)

XR050 Carbon fibre seat plate
\$354.00
(riveted to frame)



Specify length of plate

mm in (Std XY020 - 20mm)



FOOTREST

Fixed Footrest		Adjustable Footrest	
ELAXB080	Fixed position footrest	ELAXB130 \$222.00	Clamp on adjustable position footrest (100mm range)
		ELAXB085 \$135.00	Adjustable position footrest (50mm range)
Height and Position		Height and Position	
Front footrest height		Front footrest height	
mm in	(min = 35mm)	mm in	(min = 40mm)
Rear footrest height		Rear footrest height	
mm in	(min = 35mm)	mm in	(min = 40mm)
Footrest position (front of footplate to castor pot)		Footrest position (front of footplate to castor pot)	
mm in		mm in	
Footrest Size (Not ABS)		Footrest Size (Not ABS)	
<input type="checkbox"/> Footrest width		<input type="checkbox"/> Footrest width	
mm in	(Std= 200mm)	mm in	(Std= 200mm)
<input type="checkbox"/> Footrest length		<input type="checkbox"/> Footrest length	
mm in	(Std = 250mm)	mm in	(Std = 250mm)
Footrest Plate		Footrest Plate	
XB180	Aluminium footplate (2.5mm)	XB180	Aluminium footplate (5mm)
XB190 \$230.00	Carbon fibre footplate	XB100 \$135.00	ABS moulded foot tray
XB100 \$135.00	ABS moulded foot tray	<input type="checkbox"/> Specify length	mm in Max = 380mm (Full) Std = 330mm
<input type="checkbox"/> Specify length	mm in Max = 380mm (Full) Std = 330mm		
ELAXB140 \$19.00	Spacer kit (Allows for 25mm increase in height)		
ELAXB145 \$147.00	Multi position footrest tubes		
Footrest Plate Options			
XB240 \$79.00	Aluminium raised edges (Cost per Edge)	XB250 \$305.00	Carbon Fibre raised edge (1 side only)
Front Back Left Right		Front Back	
Specify height	mm in (Max = 60mm)	Specify height	mm in (Max = 45mm)
Castor Pin Width			
<input type="checkbox"/> XY330	Castor pin width		
<input type="checkbox"/> MAX 320mm	mm in		
	Optimise measurements		

CAMBER BAR, WING AND ANTI-TIP

Centre of Gravity

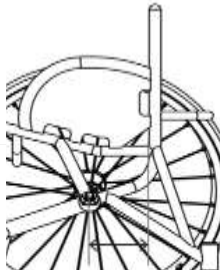
ELAXY510 Fixed centre of gravity



Specify measurement

mm in

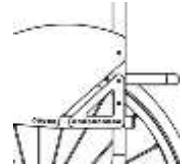
(Note: dimension is taken from front of backrest to centre of axle)



ELAXY515 Backrest COG adjustment
\$173.00
(Not with welded sides)
(+/-20mm)

Specify measurement

mm in



Specify Camber Angle



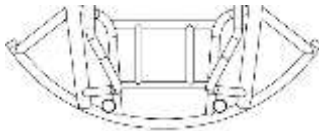
XY390 Camber angle



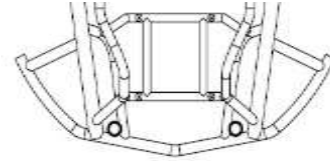
16 18 20 22

Wing Options

ELAXA110 Round design basketball wing



ELAXA125 Arrow design basketball wing
\$184.00



ELAXA120 Straight sided design basketball wing
\$184.00



Anti-tip options

ELAXJ040 Single fixed anti tip

ELAXJ060 Double fixed anti tip
\$261.00
(With high mount joining bar)



Specify castor pin width

mm in

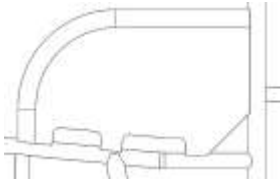
Optimise measurements
(Wide as possible - std if not indicated)

SIDEGUARDS

Sideguard Style

ELAXE230 \$393.00	Welded aluminium sport <i>(Not with backrest COG Adj - ELAXY510)</i>	XE030 \$185.00	Screw on aluminium
ELAXE250 \$184.00	Welded aluminium tubes only <i>(Not with backrest COG Adj - ELAXY510)</i>	XE050 \$413.00	Screw on carbon fibre <i>(Not recommended for basketball use)</i>
XE310 \$185.00	High design upgrade <i>(Only with option ELAXE230)</i>		

Sideguard Design (Choose One)



Straight design



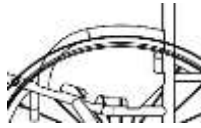







Round design



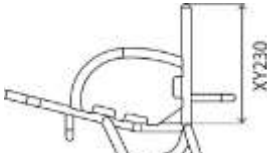
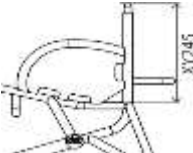


Follow tyre

Sideguard Measurements



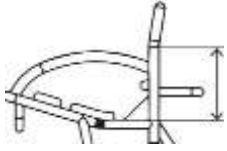


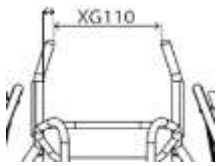
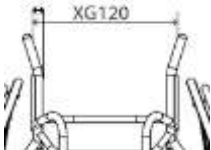
Sideguard length		Follow Tyre Design	
 mm in		25mm above tyre	
Sideguard height (back)		Individual above tyre	
 mm in		mm in	
Sideguard height (front) <i>(optional for max height players)</i>		Level with tyre	
mm in			

BACKREST

Backrest Height (Choose One)

XY230 \$139.00	Fixed backrest height		XY245 \$139.00	Adjustable backrest height <i>(+/-25mm)</i>	
	Specify height			Specify height	
mm in			mm in		

Ergonomic Options

	XY360 \$84.00	Backrest angle		XG100 \$84.00	Ergonomic backrest	
-5 -3 0 +3 +5				Vertical height		
Individual		Deg		Rearward position		
<i>(Max -10/+10 Deg)</i>				mm in		
XG110 \$84.00	Inward taper <i>(not with ELAXY245)</i>		XG120 \$84.00	Outward flare <i>(not with ELAXY245)</i>		
Specify width or per side			Specify width or per side			
mm in			mm in			

CASTORS AND REAR WHEELS

Castor Options

XC160 Sport 61mm castor (Black)	XC181 Bones Reds bearings (All castor bearings)
XC200 Sport micro fork	XC182 Bones Swiss Ceramic bearings (All castor bearings) \$292.00

Rear Wheel Size

XY420 24" Wheels	XY430 25" Wheels	XY440 26" Wheels	XY450 700C Wheels
------------------	------------------	------------------	-------------------

Rear Wheel Gap

XY460 Rear wheel gap	XY470 Inside to inside of wheel NOTE: REQUIRED FOR V SEAT AND TAPER
15 20 25 30	OR
<i>Individual</i> mm in	mm in

Rear Wheel Options

XK030 Equalizer 36/48 spoke	XK330 Spinergy SLX R10 heavy duty 24 spoke \$1,454.00 (18 deg camber angle only)
XK080 Spinergy SLX 24 spoke \$787.00	XK101 Spinergy XLX 24 spoke + caps \$863.00

Spinergy Colour Options:

Black spokes	White spokes	Yellow spokes	XK180 Individual spoke design \$184.00 (Specify colour)
Red spokes	Blue spokes	Pink spokes	<i>Inside:</i>
Purple spokes	Orange spokes	Green spokes	<i>Outside:</i>

Spinergy Anodise Options

XK190 Black hub (std option)	XK200 Silver hub \$96.00	XK201 Red hub/rims \$287.00	XK205 Individual hub/rims \$332.00
XK202 Purple hub/rims \$287.00	XK203 Blue hub/rims \$287.00	XK204 Gold hub/rims \$287.00	Select colour:

Supply Without Wheels

XK040 Supply without Wheels -\$193.00	Wheel Type:	Tyre Type:
---	-------------	------------

Handrim Position / Options

XY480 Narrow set handrim	XY485 Wide set handrim
XL090 Remove excess mounting tabs \$106.00 (recommended for small wheel gaps)	XL080 Super narrow set handrim \$213.00 (only with XL040 and includes XL090)

Handrim Style

XL010 Aluminium hard anodised 6 tab	XL040 Titanium 6 tab \$252.00 (Not with 700C)
XL070 Aluminium hard anodised 12 tab \$106.00 (24" not available)	XL050 Stainless steel 6 tab \$139.00

Tyre Options

XM070 Kenda Kaliente <i>Red Blue</i>	XM095 Kenda Wide \$37.00 (Grey Only)
XM150 IRC Exeracer Pro \$87.00 (Red Only)	
XM080 Tufo MS3 tubeless \$87.00 (Blue only)	

Spare Wheel

ELAXK500 Spare wheel Spinergy \$887.00 (Built up + axle pin)	XK523 Spare wheel upcharge - Individual Hubs/Rims \$128.00
XK520 Spare wheel upcharge - Titanium Rims \$206.00	XK524 Spare wheel upcharge - Individual Spoke Colour \$92.00
XK522 Spare wheel upcharge - Remove Excess Tabs \$54.00	

Inner Tube Valve Options

XY500 Schraeder inner tube valve	XY490 Presta inner tube valve (Standard if no option selected)
----------------------------------	---

FINISH OPTIONS

Frame & Component finish

XN010 Powder coated frame

XN150 Powder coated components *(Frame colour if not specified)*

Frame Comp.

Gloss

Frame Comp.

Matte

Frame Comp.

Special

Black gloss 103

Black matt 105

Chrome Mirror 300

White gloss 100

White matt 101

Sparkle silver 170

Grey gloss 132

Grey matt 131

Metallic black matt 104

Cream gloss 135

Light grey matt 133

Metallic grey matt 130

Red gloss 108

Navy blue matt 152

Black sandpaper 201

Yellow gloss 120

Grey sandpaper 202

Forest green gloss 143

White sandpaper 200

Green gloss 107

Dark blue gloss 151

Royal blue gloss 154

XN200 Individual paint colour (State Colour/RAL code)

\$180.00

Blue gloss 174

Duckegg blue gloss 141

Frame Comp

Pink gloss 188

Orange gloss 180

Purple gloss 157

ELAXN030 Brushed frame
\$365.00 *(All parts black unless XN160 chosen)*

XN160 Brushed components
\$138.00 *(not required with fixed footrest & backrest)*

ELAXN050 Polished frame
\$965.00 *(All parts black unless XN170 chosen)*

XN170 Polished components
\$203.00 *(not required with fixed footrest & backrest)*

Accent Colour

Note: Accent colour includes, forks, castor caps, decals.



Black accent

Silver accent

XN250 Individual accent

Red accent

Blue accent

\$180.00 *Select Colour:*

Purple accent

UPHOLSTERY

Seat Upholstery

XP040 Seat sling strap adjustable

No seat sling (Seat Plate)

Backrest Upholstery

XP055 Airtech sport backrest strap adjustable
(Black)

XP070 Backrest upgrade to leather corners
\$126.00 *(Black)*

Backrest Stitching Options

Silver Black Blue Individual:

Red Orange Purple

RGK Logo Colour

White (Std) Green Blue Individual:

Red Orange Purple

Model Logo Colour

White (Std) Green Blue Individual:

Red Orange Purple

XP170 Individual backrest embroidery
\$143.00 ADD DETAILS ON PAGE 10

CUSHION

Cushion Foam Options

XP080 \$88.00	Cushion foam <i>(select density and size below)</i>	<input type="checkbox"/> Soft (CMS040)	Medium (CMS050)				
		<input type="checkbox"/> 50mm	75mm	100mm	Other	mm	in
XP340 \$82.00	Hard Plastazote cushion upgrade <i>(Indicate max height)</i>		580mm	630mm			

Cushion Cover Options

XP085	Nylon cushion cover <i>(Black)</i>	XP380 \$93.00	Neoprene cushion cover <i>(Black)</i>
XP090 \$68.00	Air Lite cushion cover <i>(Black)</i>		

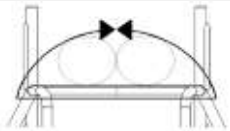
STRAPS

Velcro straps

XS050 \$125.00	100mm Pro adjustable velcro strap
XS055 \$125.00	50mm Pro adjustable velcro strap
XS057 \$125.00	50mm Pro knee strap <i>(measurement from tube to tube over knees)</i>


Velcro strap position

Strap 1



Specify strap length

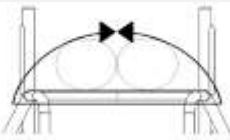
mm in



Specify distance from back post

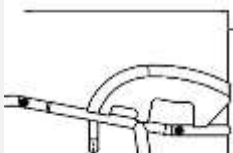
mm in

Strap 2



Specify strap length

mm in



Specify distance from back post

mm in

XS020 \$85.00	Sport ratchet strap (Click strap) <i>(11" x 2" pad)</i>
XS021 \$86.00	Sport ratchet strap (Single)
XS025 \$222.00	Pelvi Loc 2DA ratchet strap <i>(For thighs and knees)</i>

i Select size:
Medium (12") Large (14")

XS030 \$238.00	Pelvi Loc 3DA ratchet strap <i>(For hips)</i>
--------------------------	--

i Select size:
 S (8") M (12") L (14") XL (17")

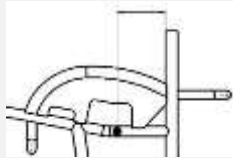
XS035 \$142.00	M2 ratchet strap <i>(For thighs and knees)</i>
--------------------------	---

i 8" 10" 12"

XS036 \$142.00	M2 ratchet strap (Single) <i>(For Feet)</i>
--------------------------	--

i 8" 10" 12"

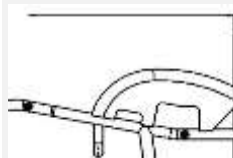
Strap 1



Specify distance from back post

mm in

Strap 2



Specify distance from back post

mm in

XS040 \$89.00	Fixed mounting points <i>(one set per click strap)</i>	x1	x2	x3
-------------------------	---	----	----	----

XS045 \$89.00	Clamped mounting points <i>(one set per click strap)</i>	x1	x2	x3
-------------------------	---	----	----	----

FRAME OPTIONS

XR060 \$106.00	Calf strap mounting loops
--------------------------	---------------------------



<input type="checkbox"/>	XR065 \$106.00	Strap location loops
--------------------------	--------------------------	----------------------



ACCESSORIES

XR030 \$104.00	Triple wheel bag <i>(Black)</i>
--------------------------	------------------------------------

XS070	Foot strap <i>(select if required)</i>
-------	--

XP130 \$95.00	Frame protectors full length
-------------------------	------------------------------

XS060	Calf strap <i>(select if required)</i>
-------	--

XA150 \$68.00	Plastic tube fitted to offensive wing
-------------------------	---------------------------------------

<input checked="" type="checkbox"/>	XP400	Back bar protector
-------------------------------------	-------	--------------------

<input checked="" type="checkbox"/>	XR090	Tool kit
-------------------------------------	-------	----------

ADDITIONAL NOTES

INDIVIDUAL BACKREST EMBROIDERY

PLEASE PROVIDE JPEG IMAGE AT TIME OF ORDER AND NOTE POSITION BELOW



BRACE BAR

SPEC NOTES:

OFF SPEC REQUEST* *(please specify below the page number(s) and details to which the off spec request applies.*

**OFF SPEC REQUEST
APPROVED** *(for internal
RGK office only)*

X
RGK Internal Sign-off

Off spec requests require a feasibility study which may increase order price and lead time. Any dimension/ option/ frame request not listed on the order form will be treated as an off spec request.*

Estimated MSRP*