

Mark For:

Submitting for:

Quote

Order

Date: _____
 Dealer Acct #: _____
 Dealer: _____
 Dealer Contact: _____
 Dealer Address: _____
 Dealer City: _____ ST: _____ ZIP: _____
 Dealer Phone: () _____ Fax: () _____
 Confirmation Email: _____
 Confirm Via: Fax Email

PO#: _____

ADDITIONAL SHIPPING INFORMATION

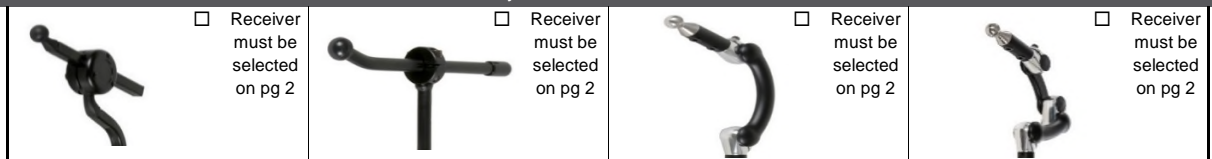
Ship To: _____
 Attention: _____
 Address: _____
 Address: _____
 Ship To City: _____ ST: _____ ZIP: _____
 Ship To Phone: () _____ Fax: () _____

The **HCPCS CODES** herein are based on PDAC verification or interpretation of Medicare definitions and guidelines. Non-Medicare payers may accept alternative **HCPCS CODES**, including misc. codes to ensure access for their enrollees. The use of **HCPCS CODES** does not ensure coverage or payment.

Head Positioning - Use HCPCS Code E0955

Whitmyer headrests come unassembled. Please add item WHITASSY001 if the dealer would like parts assembled. This is a no charge option.

Note: For cover selection, L = Lycra and V = Dartex Reversed



PAD		AXYS		ONYX		LINX		LINX ²	
SINGLE SUB-OCCIPITAL	10" Pad Lrg OCC	<input type="checkbox"/> AXYS-SS10L \$428	<input type="checkbox"/> ONYX-SS10L \$428	<input type="checkbox"/> LINX-SS10L \$456	<input type="checkbox"/> LINX2-SS10L \$497	<input type="checkbox"/> AXYS-SS10V \$428	<input type="checkbox"/> ONYX-SS10V \$428	<input type="checkbox"/> LINX-SS10V \$456	<input type="checkbox"/> LINX2-SS10V \$497
	6" Pad Lrg OCC	<input type="checkbox"/> AXYS-SS8L \$398	<input type="checkbox"/> ONYX-SS8L \$398	<input type="checkbox"/> LINX-SS8L \$434	<input type="checkbox"/> LINX2-SS8L \$474	<input type="checkbox"/> AXYS-SS8V \$398	<input type="checkbox"/> ONYX-SS8V \$398	<input type="checkbox"/> LINX-SS8V \$434	<input type="checkbox"/> LINX2-SS8V \$474
	6" Pad Sml OCC	<input type="checkbox"/> AXYS-SS4L \$363	<input type="checkbox"/> ONYX-SS4L \$363	<input type="checkbox"/> LINX-SS4L \$398	<input type="checkbox"/> LINX2-SS4L \$439	<input type="checkbox"/> AXYS-SS4V \$363	<input type="checkbox"/> ONYX-SS4V \$363	<input type="checkbox"/> LINX-SS4V \$398	<input type="checkbox"/> LINX2-SS4V \$439
	5" Pad Sml OCC	<input type="checkbox"/> AXYS-SS3L \$363	<input type="checkbox"/> ONYX-SS3L \$363	<input type="checkbox"/> LINX-SS3L \$398	<input type="checkbox"/> LINX2-SS3L \$439	<input type="checkbox"/> AXYS-SS3V \$363	<input type="checkbox"/> ONYX-SS3V \$363	<input type="checkbox"/> LINX-SS3V \$398	<input type="checkbox"/> LINX2-SS3V \$439
			<input type="checkbox"/> AXYS-8L \$503	<input type="checkbox"/> ONYX-8L \$550	<input type="checkbox"/> LINX-8L \$520	<input type="checkbox"/> LINX2-8L \$561	<input type="checkbox"/> AXYS-8V \$503	<input type="checkbox"/> ONYX-8V \$550	<input type="checkbox"/> LINX-8V \$520
ADULT DUAL SUB-OCCIPITAL	10" Pad Size 1 OCC	<input type="checkbox"/> AXYS-5L \$573	<input type="checkbox"/> ONYX-5L \$573	<input type="checkbox"/> LINX-5L \$542	<input type="checkbox"/> LINX2-5L \$583	<input type="checkbox"/> AXYS-5V \$573	<input type="checkbox"/> ONYX-5V \$573	<input type="checkbox"/> LINX-5V \$542	<input type="checkbox"/> LINX2-5V \$583
	6" Pad Size 2 OCC	<input type="checkbox"/> AXYS-2L \$497	<input type="checkbox"/> ONYX-2L \$497	<input type="checkbox"/> LINX-2L \$479	<input type="checkbox"/> LINX2-2L \$520	<input type="checkbox"/> AXYS-2V \$497	<input type="checkbox"/> ONYX-2V \$497	<input type="checkbox"/> LINX-2V \$479	<input type="checkbox"/> LINX2-2V \$520
	6" Pad Size 1 OCC	<input type="checkbox"/> AXYS-1L \$497	<input type="checkbox"/> ONYX-1L \$497	<input type="checkbox"/> LINX-1L \$479	<input type="checkbox"/> LINX2-1L \$520	<input type="checkbox"/> AXYS-1V \$497	<input type="checkbox"/> ONYX-1V \$497	<input type="checkbox"/> LINX-1V \$479	<input type="checkbox"/> LINX2-1V \$520
			<input type="checkbox"/> AXYS-7L \$503	<input type="checkbox"/> ONYX-7L \$497	<input type="checkbox"/> LINX-7L \$520	<input type="checkbox"/> LINX2-7L \$561	<input type="checkbox"/> AXYS-7V \$503	<input type="checkbox"/> ONYX-7V \$497	<input type="checkbox"/> LINX-7V \$520
PEDIATRIC DUAL SUB-OCCIPITAL	8" Pad Size 3 OCC	<input type="checkbox"/> AXYS-6L \$497	<input type="checkbox"/> ONYX-6L \$497	<input type="checkbox"/> LINX-6L \$479	<input type="checkbox"/> LINX2-6L \$520	<input type="checkbox"/> AXYS-6V \$497	<input type="checkbox"/> ONYX-6V \$497	<input type="checkbox"/> LINX-6V \$479	<input type="checkbox"/> LINX2-6V \$520
	5" Pad Size 4 OCC	<input type="checkbox"/> AXYS-4L \$497	<input type="checkbox"/> ONYX-4L \$497	<input type="checkbox"/> LINX-4L \$479	<input type="checkbox"/> LINX2-4L \$520	<input type="checkbox"/> AXYS-4V \$497	<input type="checkbox"/> ONYX-4V \$497	<input type="checkbox"/> LINX-4V \$479	<input type="checkbox"/> LINX2-4V \$520
	6" Pad Size 3 OCC	<input type="checkbox"/> AXYS-3L \$497	<input type="checkbox"/> ONYX-3L \$497	<input type="checkbox"/> LINX-3L \$479	<input type="checkbox"/> LINX2-3L \$520	<input type="checkbox"/> AXYS-3V \$497	<input type="checkbox"/> ONYX-3V \$497	<input type="checkbox"/> LINX-3V \$479	<input type="checkbox"/> LINX2-3V \$520
	5" Pad Size 3 OCC	<input type="checkbox"/> AXYS-3V \$497	<input type="checkbox"/> ONYX-3V \$497	<input type="checkbox"/> LINX-3V \$479	<input type="checkbox"/> LINX2-3V \$520				
CUDDLES INFANT		<input type="checkbox"/> AXYS-INFT \$382	<input type="checkbox"/> ONYX-INFTL \$382	N/A					

Head Positioning - Use HCPCS Code E0955

Whitmyer headrests come unassembled. Please add item WHITASSY001 if the dealer would like parts assembled. This is a no charge option.



Receiver must be selected at bottom of page



Adult - 15"
 Peds - 11"
 EI - 10"

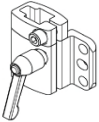



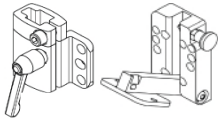


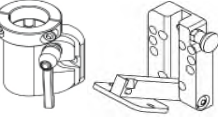


Adult - 15"
 Peds - 11"
 EI - 10"

PAD		PRO	COBRA	COBRA-FB
SINGLE SUB-OCCIPITAL	10" Pad Lrg OCC	<input type="checkbox"/> PRO-SS10L \$497	<input type="checkbox"/> COBRA-SS10L \$729	<input type="checkbox"/> FB-COBRA-SS10L \$844
		<input type="checkbox"/> PRO-SS10V \$497	<input type="checkbox"/> COBRA-SS10V \$729	<input type="checkbox"/> FB-COBRA-SS10V \$844
	6" Pad Lrg OCC	<input type="checkbox"/> PRO-SS8L \$484	<input type="checkbox"/> COBRA-SS8L \$716	<input type="checkbox"/> FB-COBRA-SS8L \$832
		<input type="checkbox"/> PRO-SS8V \$484	<input type="checkbox"/> COBRA-SS8V \$716	<input type="checkbox"/> FB-COBRA-SS8V \$832
	6" Pad Sml OCC	<input type="checkbox"/> PRO-SS4L \$416	<input type="checkbox"/> COBRA-SS4L \$646	<input type="checkbox"/> FB-COBRA-SS4L \$763
	<input type="checkbox"/> PRO-SS4V \$416	<input type="checkbox"/> COBRA-SS4V \$646	<input type="checkbox"/> FB-COBRA-SS4V \$763	
5" Pad Sml OCC	<input type="checkbox"/> PRO-SS3L \$416	<input type="checkbox"/> COBRA-SS3L \$646	<input type="checkbox"/> FB-COBRA-SS3L \$763	
	<input type="checkbox"/> PRO-SS3V \$416	<input type="checkbox"/> COBRA-SS3V \$646	<input type="checkbox"/> FB-COBRA-SS3V \$763	
ADULT DUAL SUB-OCCIPITAL	8" Pad Size 1 OCC	<input type="checkbox"/> PRO-8L \$596	<input type="checkbox"/> COBRA-8L \$826	<input type="checkbox"/> FB-COBRA-8L \$941
		<input type="checkbox"/> PRO-8V \$596	<input type="checkbox"/> COBRA-8V \$826	<input type="checkbox"/> FB-COBRA-8V \$941
	10" Pad Size 1 OCC	<input type="checkbox"/> PRO-5L \$596	<input type="checkbox"/> COBRA-5L \$826	<input type="checkbox"/> FB-COBRA-5L \$941
		<input type="checkbox"/> PRO-5V \$596	<input type="checkbox"/> COBRA-5V \$826	<input type="checkbox"/> FB-COBRA-5V \$941
	6" Pad Size 2 OCC	<input type="checkbox"/> PRO-2L \$542	<input type="checkbox"/> COBRA-2L \$774	<input type="checkbox"/> FB-COBRA-2L \$889
	<input type="checkbox"/> PRO-2V \$542	<input type="checkbox"/> COBRA-2V \$774	<input type="checkbox"/> FB-COBRA-2V \$889	
6" Pad Size 1 OCC	<input type="checkbox"/> PRO-1L \$542	<input type="checkbox"/> COBRA-1L \$774	<input type="checkbox"/> FB-COBRA-1L \$889	
	<input type="checkbox"/> PRO-1V \$542	<input type="checkbox"/> COBRA-1V \$774	<input type="checkbox"/> FB-COBRA-1V \$889	
PEDIATRIC DUAL SUB-OCCIPITAL	8" Pad Size 3 OCC	<input type="checkbox"/> PRO-7L \$589	<input type="checkbox"/> COBRA-7L \$821	<input type="checkbox"/> FB-COBRA-7L \$935
		<input type="checkbox"/> PRO-7V \$589	<input type="checkbox"/> COBRA-7V \$821	<input type="checkbox"/> FB-COBRA-7V \$935
	5" Pad Size 4 OCC	<input type="checkbox"/> PRO-6L \$532	<input type="checkbox"/> COBRA-6L \$763	<input type="checkbox"/> FB-COBRA-6L \$878
		<input type="checkbox"/> PRO-6V \$532	<input type="checkbox"/> COBRA-6V \$763	<input type="checkbox"/> FB-COBRA-6V \$878
	6" Pad Size 3 OCC	<input type="checkbox"/> PRO-4L \$532	<input type="checkbox"/> COBRA-4L \$763	<input type="checkbox"/> FB-COBRA-4L \$878
	<input type="checkbox"/> PRO-4V \$532	<input type="checkbox"/> COBRA-4V \$763	<input type="checkbox"/> FB-COBRA-4V \$878	
5" Pad Size 3 OCC	<input type="checkbox"/> PRO-3L \$532	<input type="checkbox"/> COBRA-3L \$763	<input type="checkbox"/> FB-COBRA-3L \$878	
	<input type="checkbox"/> PRO-3V \$532	<input type="checkbox"/> COBRA-3V \$763	<input type="checkbox"/> FB-COBRA-3V \$878	

Mounting Brackets - Use HCPCS Code E1028


Head Support System Mounting Brackets must be ordered separately, except for COBRA

	AXYS	ONYX	LINX & LINX ²	PRO
REMOVABLE MOUNTING BRACKET <small>(PART SOLD SEPARATELY FROM POST & PAD)</small>				
Detachable	<input type="checkbox"/> M2500 \$122	<input type="checkbox"/> M2100-WB \$99	<input type="checkbox"/> M2300 \$190	<input type="checkbox"/> M2200-WB \$214
REMOVABLE & SWING-AWAY MNT BRACKET <small>(PART SOLD SEPARATELY FROM POST & PAD)</small>				
Swing-Away	<input type="checkbox"/> M5500 \$231	<input type="checkbox"/> M5100 \$214	<input type="checkbox"/> M5300 \$306	<input type="checkbox"/> M5200 \$329

COBRA mounting system includes detachable mounting bracket

Lateral Facial Supports

Note: Cover Selection - Add L = Lycra or V = Dartex Reversed (Example: LFC-PLL)

																	
	2"	2.25" x 5"	2.25" x 7"	4" x 6"	2" x 6"	1.75" x 5"	1.25" x 4"										
	SPOT	STANDARD	LONG	OVAL	LARGE-C	MED-C	SMALL-C	FSO-8									
Unilateral	<input type="checkbox"/>	LFC10L \$214 LM115 \$92	<input type="checkbox"/>	LFC15L \$214 LM115 \$92	<input type="checkbox"/>	LFC20L \$214 LM115 \$92	<input type="checkbox"/>	LFC25L \$214 LM115 \$92	<input type="checkbox"/>	LFC30L \$214 LM115 \$92	<input type="checkbox"/>	LFC35L \$214 LM115 \$92	<input type="checkbox"/>	LFC40L \$214 LM115 \$92	<input type="checkbox"/>	LFC80 \$248 LM115 \$92	
	<input type="checkbox"/>	LFC10V \$214 LM115 \$92	<input type="checkbox"/>	LFC15V \$214 LM115 \$92	<input type="checkbox"/>	LFC20V \$214 LM115 \$92	<input type="checkbox"/>	LFC25V \$214 LM115 \$92	<input type="checkbox"/>	LFC30V \$214 LM115 \$92	<input type="checkbox"/>	LFC35V \$214 LM115 \$92	<input type="checkbox"/>	LFC40V \$214 LM115 \$92			
	<input type="checkbox"/>	LFC10L \$214 LM115 \$92	<input type="checkbox"/>	LFC15L \$214 LM115 \$92	<input type="checkbox"/>	LFC20L \$214 LM115 \$92	<input type="checkbox"/>	LFC25L \$214 LM115 \$92	<input type="checkbox"/>	LFC30L \$214 LM115 \$92	<input type="checkbox"/>	LFC35L \$214 LM115 \$92	<input type="checkbox"/>	LFC40L \$214 LM115 \$92			LFC80 \$248 LM115 \$92
	<input type="checkbox"/>	LFC10V \$214 LM115 \$92	<input type="checkbox"/>	LFC15V \$214 LM115 \$92	<input type="checkbox"/>	LFC20V \$214 LM115 \$92	<input type="checkbox"/>	LFC25V \$214 LM115 \$92	<input type="checkbox"/>	LFC30V \$214 LM115 \$92	<input type="checkbox"/>	LFC35V \$214 LM115 \$92	<input type="checkbox"/>	LFC40V \$214 LM115 \$92			LFC80 \$248 LM115 \$92
Bilateral	<input type="checkbox"/>	LFC10L \$214 LM115 \$92	<input type="checkbox"/>	LFC15L \$214 LM115 \$92	<input type="checkbox"/>	LFC20L \$214 LM115 \$92	<input type="checkbox"/>	LFC25L \$214 LM115 \$92	<input type="checkbox"/>	LFC30L \$214 LM115 \$92	<input type="checkbox"/>	LFC35L \$214 LM115 \$92	<input type="checkbox"/>	LFC40L \$214 LM115 \$92	<input type="checkbox"/>	LFC80 \$248 LM115 \$92	
	<input type="checkbox"/>	LFC10V \$214 LM115 \$92	<input type="checkbox"/>	LFC15V \$214 LM115 \$92	<input type="checkbox"/>	LFC20V \$214 LM115 \$92	<input type="checkbox"/>	LFC25V \$214 LM115 \$92	<input type="checkbox"/>	LFC30V \$214 LM115 \$92	<input type="checkbox"/>	LFC35V \$214 LM115 \$92	<input type="checkbox"/>	LFC40V \$214 LM115 \$92			
	<input type="checkbox"/>	LFC10L \$214 LM115 \$92	<input type="checkbox"/>	LFC15L \$214 LM115 \$92	<input type="checkbox"/>	LFC20L \$214 LM115 \$92	<input type="checkbox"/>	LFC25L \$214 LM115 \$92	<input type="checkbox"/>	LFC30L \$214 LM115 \$92	<input type="checkbox"/>	LFC35L \$214 LM115 \$92	<input type="checkbox"/>	LFC40L \$214 LM115 \$92			LFC80 \$248 LM115 \$92
	<input type="checkbox"/>	LFC10V \$214 LM115 \$92	<input type="checkbox"/>	LFC15V \$214 LM115 \$92	<input type="checkbox"/>	LFC20V \$214 LM115 \$92	<input type="checkbox"/>	LFC25V \$214 LM115 \$92	<input type="checkbox"/>	LFC30V \$214 LM115 \$92	<input type="checkbox"/>	LFC35V \$214 LM115 \$92	<input type="checkbox"/>	LFC40V \$214 LM115 \$92			LFC80 \$248 LM115 \$92
Pad Only*	<input type="checkbox"/>	PL10L \$82	<input type="checkbox"/>	PL15L \$116	<input type="checkbox"/>	PL20L \$116	<input type="checkbox"/>	P600L \$116	<input type="checkbox"/>	PL30L \$116	<input type="checkbox"/>	PL35L \$116	<input type="checkbox"/>	PL40L \$104	<input type="checkbox"/>	N/A	
	<input type="checkbox"/>	PL10V \$82	<input type="checkbox"/>	PL15V \$116	<input type="checkbox"/>	PL20V \$116	<input type="checkbox"/>	P600V \$116	<input type="checkbox"/>	PL30V \$116	<input type="checkbox"/>	PL35V \$116	<input type="checkbox"/>	PL40V \$104			

Lateral Facial Supports

MOUNTING HARDWARE

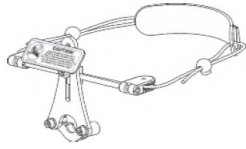


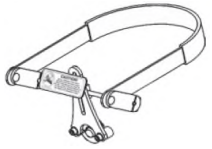


LATERAL FACIAL SUPPORT PARTS


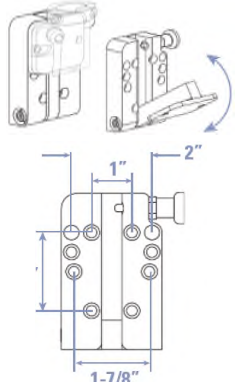
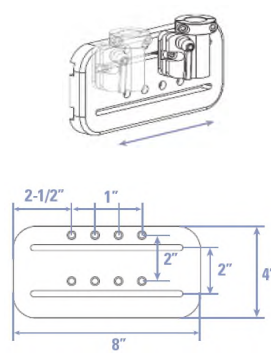
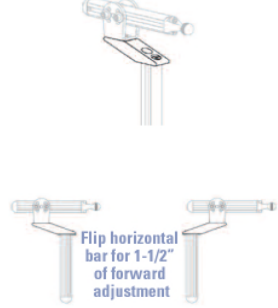
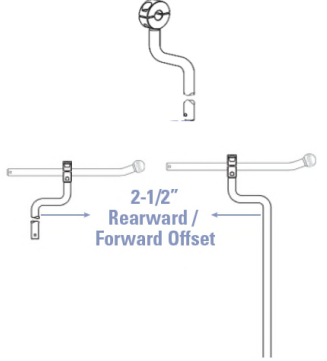
*Note: If ordering an additional Lateral Facial Support, select both a Lateral Facial Support Pad Only from above and an Infinity Mount from below as well

✓	Option #	Definition	Price
<input type="checkbox"/>	242161	Infinity Dual Mount Assembly*	\$225
<input type="checkbox"/>	LM1010	Lateral Facial Support*	\$145

ANTERIOR HEAD SUPPORT

								
	DYNAMIC FOREHEAD STRAP	DFS ²	STRAP CAP	STATIC FOREHEAD STRAP				
ADULT	<input type="checkbox"/>	DFS10 \$334	<input type="checkbox"/>	DFSQ10 \$404	<input type="checkbox"/>	CAP10 (black) \$462	<input type="checkbox"/>	HU10 \$364
PEDS	<input type="checkbox"/>	DFS30 \$334	<input type="checkbox"/>	DFSQ30 \$404	<input type="checkbox"/>	CAP30-R (red) \$462		
	<input type="checkbox"/>				<input type="checkbox"/>	CAP30-B (blue) \$462		









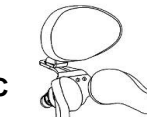




MOUNTING OPTIONS

				
FLEX INTERFACE BRACKET	UNIVERSAL SWING-AWAY MOUNT	SLIDE MOUNT	PRO OFF-SET MOUNTING SYSTEM	ONYX REARWARD OFF-SET VERTICAL ROD
<input type="checkbox"/> M9450 (hard) \$214 <input type="checkbox"/> M9451 (soft) \$214	<input type="checkbox"/> M5000 \$116	<input type="checkbox"/> M7010 \$110	<input type="checkbox"/> PRC7070 \$188	<input type="checkbox"/> OX6030 \$70

TOOLS

	Option #	Definition	Price
<input type="checkbox"/>	BOLT LUBE	Bolt Lube	\$10.00
<input type="checkbox"/>	T2500	Tool Kit	\$8.00

Pad Styles

SINGLE SUB-OCCIPITAL	 10" Pad Large OCC SS10 PAD = 10"w X 5"h SUB OCC = 9"w X 3"h	 6" Pad Large OCC SS8 PAD = 6"w X 4"h SUB OCC = 9"w X 3"h	 6" Pad Small OCC SS4 PAD = 6"w X 4"h SUB OCC = 8"w X 2"h	 5" Pad Small OCC SS3 PAD = 5"w X 2-1/4"h SUB OCC = 8"w X 2"h
ADULT DUAL SUB-OCCIPITAL	 8" Pad Size 1 OCC 8 PAD = 8"w X 5"h SUB OCC = 8"w X 3"h	 10" Pad Size 1 OCC 5 PAD = 10"w X 5"h SUB OCC = 8"w X 3"h	 6" Pad Size 2 OCC 2 PAD = 6"w X 4"h SUB OCC = 4"w X 3"h	 6" Pad Size 1 OCC 1 PAD = 6"w X 4"h SUB OCC = 8"w X 3"h
Pediatric DUAL SUB-OCCIPITAL	 8" Pad Size 3 OCC PAD = 8"w X 5"h SUB OCC = 7"w X 2.5"h	 5" Pad Size 4 OCC PAD = 5"w X 2-1/4"h SUB OCC = 4"w X 2.5"h	 6" Pad Size 3 OCC PAD = 6"w X 4"h SUB OCC = 7"w X 2.5"h	 5" Pad Size 3 OCC PAD = 5"w X 2-1/4"h SUB OCC = 7"w X 2.5"h
CUDDLES INFANT	 INFT Pad Size 3 OCC PAD = 3.5"w X 1.5"h SUB OCC = 4"w X 1.75"h			



Sunrise Medical (US) LLC
2842 Business Park Ave. · Fresno, CA 93727 · USA